

# PTS125 Series 12 mm Tact Switches



## Features/Benefits

- THT and SMT terminations
- Various heights
- Snap fit actuator option

## Typical Applications

- Consumer products
- Instrumentation
- Computer products
- Industrial

Tactile Switches

## Specification

FUNCTION: Momentary action  
 CONTACT ARRANGEMENT: 1 make contact SPST, N.O.  
 TERMINALS: PC pins for THT and G type for SMT  
 TRAVEL: 0.30 mm ± 0.15 mm

## Mechanical

OPERATING LIFE: 200,000 cycles  
 OPERATING FORCE:  
 180 gf ± 50  
 250 gf ± 50

## Electrical

MAX VOLTAGE: 12 VDC  
 MAX CURRENT: 50 mA  
 DIELECTRIC STRENGTH: 250 V AC (1mn)  
 CONTACT RESISTANCE: <100 mΩ  
 INSULATION RESISTANCE: >100MΩ  
 BOUNCE TIME: < 5 ms

**NOTE:** Specifications listed above are for switches with standard options.  
 For information on specific and custom switches, consult Customer Service Center.

## Environmental

OPERATING TEMPERATURE: -20°C to 70°C

## Process

SOLDERING: This component is suited to the following methods:  
 Infrared reflow soldering in accordance with IEC 61760-1 for SMT version  
 Wave soldering compatible with lead free soldering profile

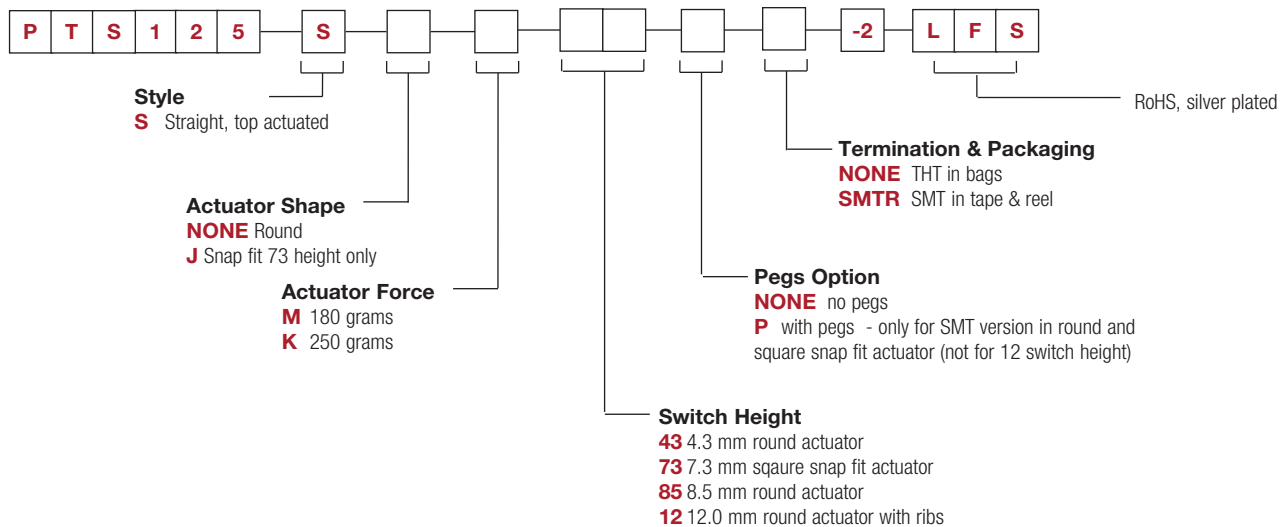
## Packaging

Soldering Style	Height	Packaging	Parts per Packaging
THT	All heights	Plastic bag	500
SMT	4.3 mm	tape & reel	900
SMT	4.3 mm with pegs	tape & reel	600
SMT	7.3 mm	tape & reel	500
SMT	7.3 mm with pegs	tape & reel	500
SMT	8.5 mm	tape & reel	500
SMT	8.5 mm with pegs	tape & reel	400
SMT	12 mm	tape & reel	250

Dimensions of reels according to EIA 481B. External diameter 330 mm.

## How To Order

Our easy build-a-switch concept allows you to mix and match options to create the switch you need. To order, select desired option from each category and place it in the appropriate box.



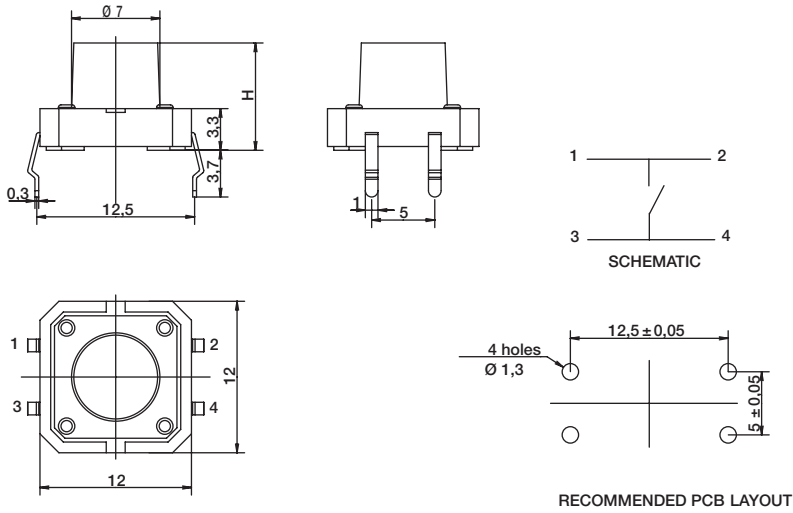
Other heights with the round actuator are available upon request. Different minimum order quantities than the stand may apply.



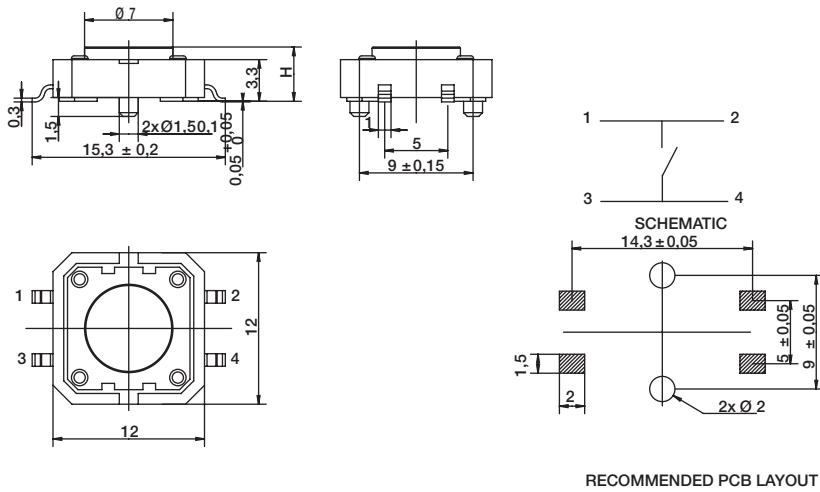
Dimensions are shown: mm  
 Specifications and dimensions subject to change

# PTS125 Series 12 mm Tact Switches

**THT** VERSION WITH ROUND ACTUATOR H= 4.3 & 8.5 MM (other height upon request)

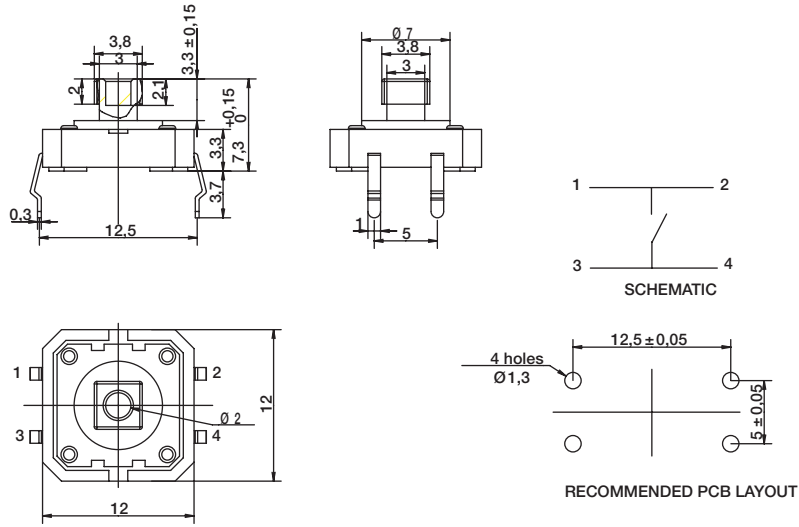


**SMT** VERSION WITH ROUND ACTUATOR AND PEGS H= 4.3 & 8.5 MM (other height upon request)

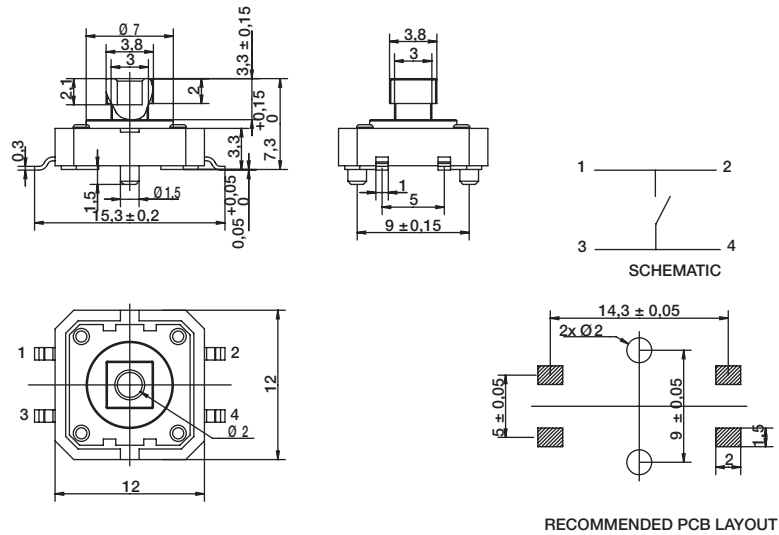


# PTS125 Series 12 mm Tact Switches

## THT VERSION WITH SQUARE SNAP FIT ACTUATOR H= 7.3 MM

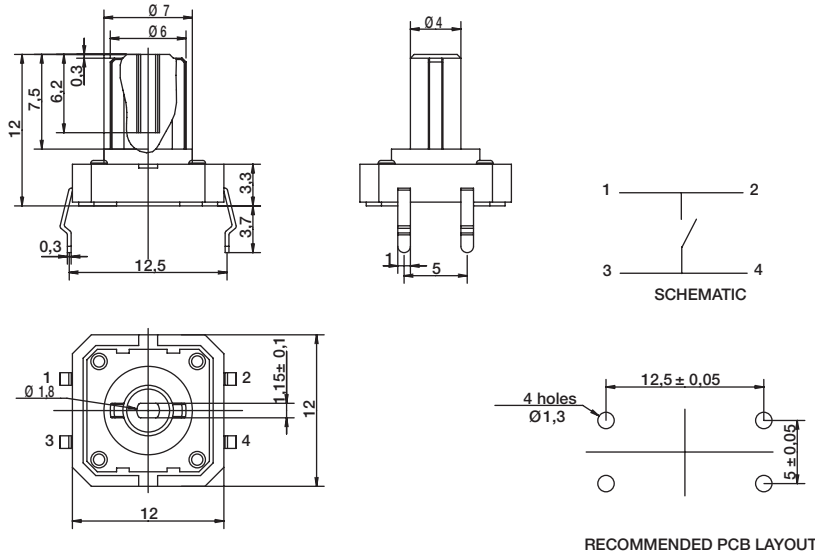


## SMT VERSION WITH SQUARE SNAP FIT ACTUATOR AND PEGS H= 7.3 MM

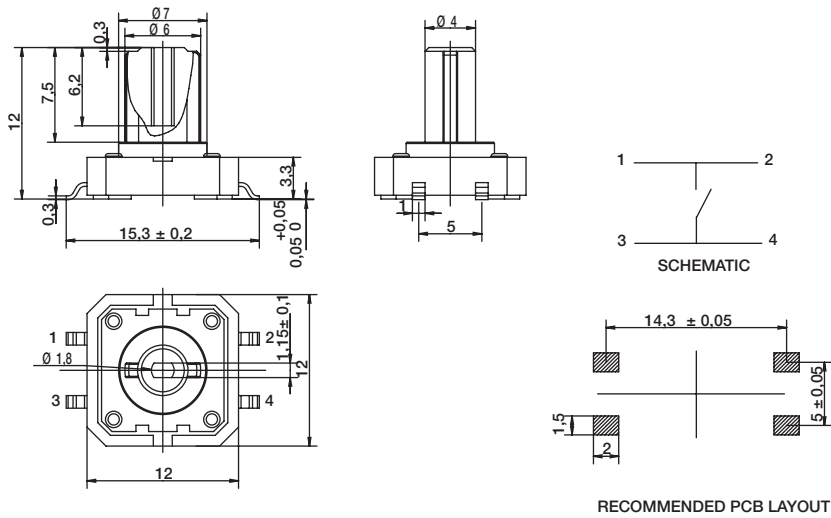


# PTS125 Series 12 mm Tact Switches

**THT** VERSION WITH ROUND RIBBED ACTUATOR H= 12.0 MM



**SMT** VERSION WITH ROUND RIBBED ACTUATOR H= 12.0 MM



Dimensions are shown: mm  
Specifications and dimensions subject to change

## X-ON Electronics

Largest Supplier of Electrical and Electronic Components

*Click to view similar products for [Tactile Switches](#) category:*

*Click to view products by [C&K](#) manufacturer:*

Other Similar products are found below :

[KMR633NG](#) [LFG](#) [5GTH9202242](#) [6426-201-11343](#) [MJ1226](#) [MJTP1109B](#) [MJTP1138EAUTR](#) [MJTP1230BL](#) [MJTPSHW](#) [GS6.90F300QP](#) [1-1977223-0](#) [1-1977120-4](#) [ADTSA62NV](#) [ADTSA62RV](#) [ADTSA63KV](#) [ADTSA644NV](#) [ADTSM24NVTR](#) [ADTSMW66NV](#) [ADTSMW67RV](#) [ATM533VTR](#) [1571300-3](#) [B3F-3123](#) [B3F-6055A](#) [B3F-B32-01-KIT](#) [1977177-8](#) [1977266-1](#) [2-1977223-4](#) [2-1977223-7](#) [ADTS644KV](#) [ADTSA61RV](#) [ADTSA62KV](#) [ADTSA63NV](#) [ADTSA63RV](#) [ADTSA65NV](#) [ADTSM21NSVTR](#) [ADTSM25RVTR](#) [ADTSM31RVTR](#) [ADTSM32NVTR](#) [ADTSM61YVTR](#) [ADTSM63SVTR](#) [ADTSM644KVTR](#) [ADTSMW64RV](#) [ADTSMW69NV](#) [FSMRA4JHA04](#) [GS4.70F300QP](#) [D38999/20JJ37SA](#) [TL1105B](#) [TL1105J](#) [ATH447K2Q](#) [ATM534VTR](#) [MJ1215](#)