




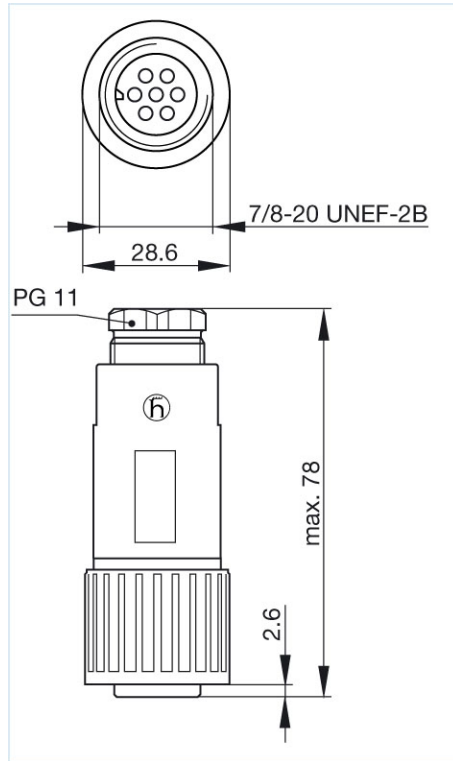
## Product information CM 06 EA 14S-61 S

Industrial Connecting Solutions: Circular Connectors: MIL, DIN, Universal Connectors: MIL-C-5015 or VG 95342 Connectors (CM series): Cable socket: CM 06 EA 14S-61 S

<https://e-catalog.hirschmann.com:443/link/57078-24228-256281-256284-24363-24364-36145/en/conf/ulistate>

Name	CM 06 EA 14S-61 S
	
	Straight cable socket, strain relief by means of a clamp
<b>Delivery informations</b>	
Availability	available
<b>Product description</b>	
Description	Straight cable socket, strain relief by means of a clamp
Type	CM 06 EA 14S-61 S
Order No.	932 460-100
Number of contacts	6 + PE
Cable gland	PG 11
Cable diameter	8 mm to 10 mm
Conductor size	max. 1 mm <sup>2</sup>
Standard	MIL-C 5015 bzw. VG 95 342
Housing Color	black
<b>Technical data</b>	
Pin dimensions	1.6 mm
Rated voltage	AC/DC 50 V
Rated current	10 A
Contact resistance	<= 5 mOhm
Type of termination	solder
Shell size	14S
<b>Material</b>	
Contact surface material	Ag
Contact bearer material	PA 66-GF 25
Housing material	PA 66-GF 25
O-Ring	NBR
<b>Environmental conditions</b>	
Protection class (IEC 60529)	IP 67
Pollution severity	3
Temperature range	-40 °C to +90 °C
<b>Inflammability class</b>	
Flammability, UL standard	94 V-1
<b>Packing unit</b>	
Packaging unit	100 pieces
<b>Scope of delivery and accessories</b>	
Scope of delivery	1 cable socket, not assembled, assembly instructions
Accessories to order separately	can be plugged into CM 02 E 14S-61 P, CM 02 L 14S-61 P (Metall), CM 02 L 14S-61 P F (Metall); cap CM 06 SD 14S, order no. 831 621-100

Picture  
Drawing



**Belden Deutschland GmbH**  
Im Gewerbepark 2  
58579 Schalksmühle  
Germany  
Phone: +49 7127/14-1806  
E-Mail: [icos-sales@belden.com](mailto:icos-sales@belden.com)

The information published in the websites has been compiled as carefully as possible. It is subject to alteration without notice in technical as well as in price-related/commercial respect. The complete information and data were available on user documentation. Mandatory information can only be obtained by a concrete query.

## X-ON Electronics

Largest Supplier of Electrical and Electronic Components

*Click to view similar products for [Circular DIN Connectors](#) category:*

*Click to view products by [Belden](#) manufacturer:*

Other Similar products are found below :

[CTV06RQF-25-8SA-LC](#) [CTV06RQF-25-8S-LC](#) [CTV06RQW-25-8SB-LC](#) [CTV06RW-25-20P](#) [CTV06RW-25-20PA](#) [CTV06RW-25-20PB](#)  
[CTV06RW-25-20PE-LC](#) [CTV06RW-25-20SB](#) [CTV06RW-25-20SE](#) [CTV07RW-17-8S\(506\)](#) [CTVP00RW-19-32S\(506\)](#) [CTVP00RW-9-35S\(506\)](#) [M83723/71R20416](#) [M83723/71R22196](#) [M83723/71W2039N](#) [M83723/71W24196](#) [M83723/71W2419N](#) [M83723/72A1404N-LC](#)  
[M83723/72R1203N](#) [M83723/72W20418](#) [M83723/72W22126](#) [M83723/72W22556](#) [M83723/72W2419N](#) [M83723/72W2461N](#)  
[M83723/73R2028N](#) [M83723/73R2039N](#) [M83723/73W1412N](#) [M83723/73W2039N](#) [M83723/74R1624N](#) [M83723/74R1808N](#)  
[M83723/74R2212N](#) [M83723/74W1203N](#) [M83723/74W1412N](#) [M83723/74W20416](#) [M83723/74W2041N](#) [M83723/75R10058](#)  
[M83723/75W2232N](#) [M83723/76R14157](#) [M83723/76R20256](#) [M83723/76W1808N](#) [M83723/76W2016N](#) [M83723/76W2461N](#)  
[M83723/77W2016N](#) [M83723/78R22327](#) [M83723/78W2212N](#) [M83723/78W22556](#) [M85049/50-5F](#) [D38999/20FF11AC](#) [D38999/20FJ20BB](#)  
[D38999/20FJ20SC](#)