

Phase sequence and phase loss relay PUN-3C



www.mikrobest.pl

Relay for monitoring 1 relay output DPDT



General characteristics

- Electronic relay
- 1 relay output with 2 changeover contacts (DPDT)
- Green LED for relay state
- Red LED for too low voltage
- Red LED for wrong sequence
- Automatic resetting
- 35mm rail mounting

| Order code | Monitoring terminals | Voltage | Qty per pkg |
|------------|----------------------|----------------------------|-------------|
| PUN-3C | L1, L2, L3 | V 3 x 400/230 V 50Hz | 1 |

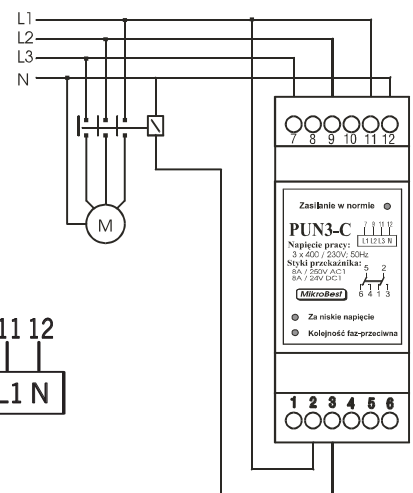
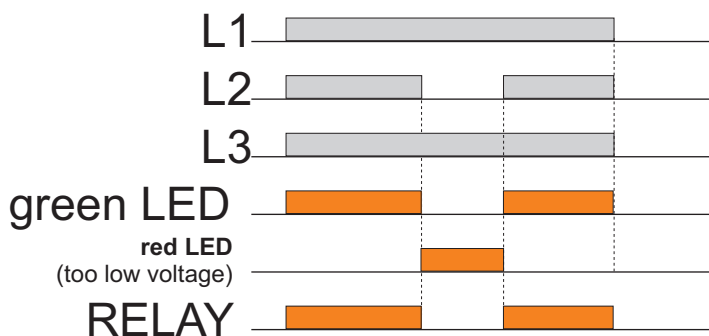
Function

The voltage to control L1, L2, L3 is connected to 11, 9, 7 terminals. Neutral wire N is connected to 12 terminal. The green LED flashes when all phases and neutral are correct. When green LED flashes internal relay is energised. Internal relay, green LED are off and red LED is on when one phase voltage is below 180V or when phase sequence is wrong. Return to normal voltage switches on internal relay and green LED immediately. There's a possibility under the cover to regulate voltage shutdown.

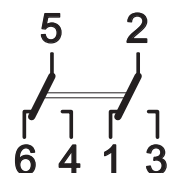
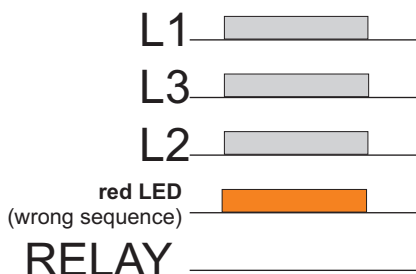
Technical parameters

Supply terminals: 3 x 400/230 V; 50Hz
 Consumption: max 15VA
 Current rating: 8A/250V AC1
 8A/24V DC1
 Protection degree: IP20
 Dimensions: 90 x 35 x 60mm
 Operating temperature: -15...+60 deg.C

Phase loss



Phase sequence



X-ON Electronics

Largest Supplier of Electrical and Electronic Components

Click to view similar products for [General Purpose Relays](#) category:

Click to view products by [Mikrobest](#) manufacturer:

Other Similar products are found below :

[APF30318](#) [JVN1AF-4.5V-F](#) [PCN-105D3MHZ](#) [5JO-10000S-SIL](#) [5JO-1000CD-SIL](#) [5JO-400CD-SIL](#) [LY2S-AC220/240](#) [LYQ20DC12](#)
[6031007G](#) [6131406HQ](#) [6-1393099-3](#) [6-1393099-8](#) [6-1393122-4](#) [6-1393123-2](#) [6-1393767-1](#) [6-1393843-7](#) [6-1415012-1](#) [6-1419102-2](#) [6-](#)
[1423698-4](#) [6-1608051-6](#) [6-1608067-0](#) [6-1616170-6](#) [6-1616248-2](#) [6-1616282-3](#) [6-1616348-2](#) [6-1616350-1](#) [6-1616350-8](#) [6-1616358-7](#) [6-](#)
[1616359-9](#) [6-1616360-9](#) [6-1616931-6](#) [6-1617039-1](#) [6-1617052-1](#) [6-1617090-2](#) [6-1617090-5](#) [6-1617347-5](#) [6-1617353-3](#) [6-1617801-8](#) [6-](#)
[1617802-2](#) [6-1618107-9](#) [6-1618248-4](#) [M83536/1-027M](#) [CX-4014](#) [MAHC-5494](#) [MAVCD-5419-6](#) [703XCX-120A](#) [7-1393100-5](#) [7-1393111-7](#)
[7-1393144-5](#) [7-1393767-8](#)