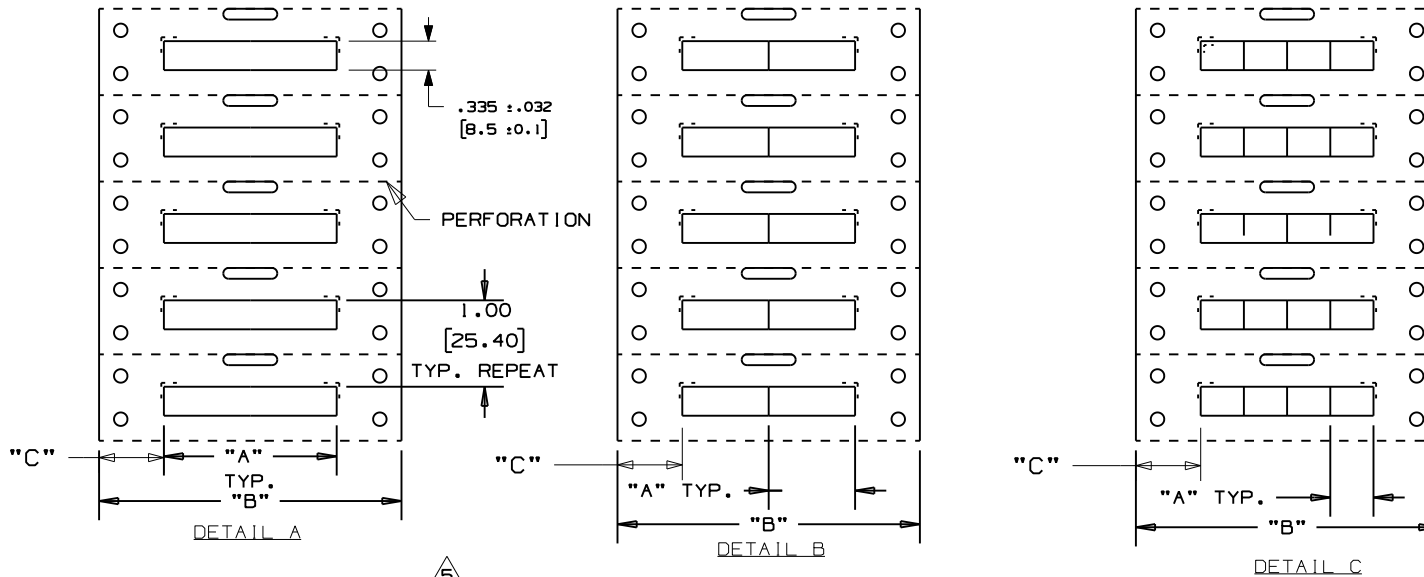
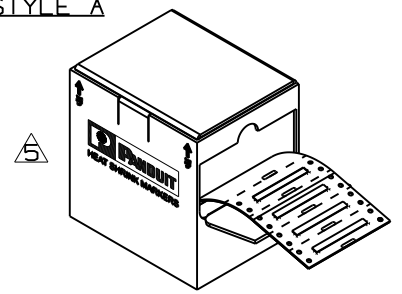


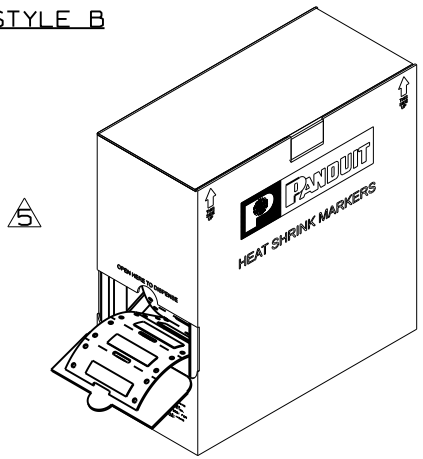
THIS COPY IS PROVIDED ON A RESTRICTED BASIS AND IS NOT TO BE USED IN ANY WAY DETRIMENTAL TO THE INTERESTS OF PANDUIT CORP.



STYLE A



STYLE B



PART NUMBER	SEE DETAIL	"A" +/- .062	"B"	"C"	MARKER ACROSS	TUBING COLOR	SEE STYLE
H200X034F1T	A	2.00 [50.80]	3.50 [88.90]	.75 [19.1]	1	WHITE	A
H100X034F1T	B	1.00 [25.40]		.75 [19.1]	2	WHITE	
H050X034F1T	C	0.50 [12.70]		.75 [19.1]	4	WHITE	
H150X034F1T	A	1.50 [38.10]		1.00 [25.4]	1	WHITE	
H075X034F1T	B	0.75 [19.05]		1.00 [25.4]	2	WHITE	A
H200X034F2T	A	2.00 [50.80]		.75 [19.1]	1	YELLOW	
H100X034F2T	B	1.00 [25.40]		.75 [19.1]	2	YELLOW	
H050X034F2T	C	0.50 [12.70]		.75 [19.1]	4	YELLOW	
H200X034F1T-B	A	2.00 [50.80]		.75 [19.1]	1	WHITE	B
H100X034F1T-B	B	1.00 [25.40]		.75 [19.1]	2	WHITE	
H050X034F1T-B	C	0.50 [12.70]		.75 [19.1]	4	WHITE	
H150X034F1T-B	A	1.50 [38.10]		1.00 [25.4]	1	WHITE	
H075X034F1T-B	B	0.75 [19.05]		1.00 [25.4]	2	WHITE	

NOTE: 1. DIMENSION IN () ARE IN MILLIMETERS.

CAD FILENAME/LAYERS 100923NV_DC_C10220/01F

REV	DATE	BY	CHK	DESCRIPTION	ECN	R	CUST	SUP
5	5/21/09	RVU		+/- .12, +/- .062, +/- .020 WAS +/- .03, +/- .032, +/- .010. HT: .335 +/- .032 WAS .335. MAT'L. HSK TUBING GMHS31, 3.5 WIDE LINER WAS GMHS. ADD "A" +/- .062. ADD STYLE B VIEW FOR BULK BOX. VIEW UPDATE.	5593			
4				VOID				
3	12/21/07	RVU		REVISED TUBING MATERIAL. ADDED H150X034F1T-B AND H075X034F1T-B.	5244			
2	12/4/07	RVU		(.XX) +/- .032 WAS (.XX) +/- .015.	5219			
1	1-31-07	RVU		REVISED VIEW OF BOX, & TOL. ADDE NOTES 1 & 2.	4859			
0	2-24-04	RVU		DRAWING RELEASE	0000			

PANDUIT CORP. TINLEY PARK, ILLINOIS

CUSTOMER DRAWING H***X034F** OPTIMUM COMPUTER PRINTABLE HEAT SHRINK MARKERS

UNLESS OTHERWISE SPECIFIED, DIMENSIONAL TOLERANCES ARE: (.X) ± .12 (.XXX) ± .020 (.XX) ± .062 ANGLES ±

UNLESS OTHERWISE SPECIFIED, ALL DIMENSIONS ARE GIVEN IN INCHES, THIRD ANGLE PROJECTION.

SCALE NTS

DRAWING NO. C10220

DWG SIZE A

DRAWN BY RVU

DATE 9-29-04

CHK'D

MAT'L: HEATSHRINK TUBING GMHS31, 3.5 WIDE LINER

X-ON Electronics

Largest Supplier of Electrical and Electronic Components

Click to view similar products for [Wire Identification](#) category:

Click to view products by [Panduit](#) manufacturer:

Other Similar products are found below :

[CU6337-000](#) [CU6342-000](#) [FCA-410-12](#) [11631010](#) [1-1768037-1](#) [1-1768037-2](#) [1-1768050-0](#) [PXLK-VI](#) [Q62184-1](#) [A64304-000](#) [QMT221](#)
[HK032WE1NF038B](#) [1330-0519-10](#) [1395199-1](#) [1395200-1](#) [1395202-1](#) [DMVF050WE-300S6](#) [D-SCE-1K-2.4-50-4-CS7834](#) [1538738-1](#)
[E90935-000](#) [EC1238-000](#) [EC1465-000](#) [EC1855-000](#) [EC1859-000](#) [EC1863-000](#) [EC5415-000](#) [EC7277-000](#) [EC7352-000](#) [EC7603-000](#)
[EC7707-000](#) [EC7735-000](#) [EC7768-000](#) [EC7828-000](#) [EC7854-000](#) [EC7952-000](#) [EC8128-000](#) [1768037-8](#) [1768041-7](#) [NC-127191-10-9](#)
[HS048WE2NF038B](#) [C03232-000](#) [HTCM-SCE-14-4H-9](#) [HTMS-3/16-9](#) [HT-SCE-1/4-2.0-4](#) [HT-SCE-3/16-2.0-4](#) [HTTMS-1/2-1.50-9](#) [HTTMS-](#)
[CM-1/2-4H-9](#) [HX-SCE-19.0-50-9](#) [HX-SCE-6.4-50-4](#) [C25254-000](#)