

THIS COPY IS PROVIDED ON A RESTRICTED BASIS AND IS NOT TO BE USED IN ANY WAY DETRIMENTAL TO THE INTERESTS OF PANDUIT CORP.

Part number		STUD SIZE	Maximum insulation diameter	DIMENSIONS in.			
Prefix	PK			A <sup>±.03 (.8)</sup>	W <sup>±.010 (.25)</sup>	C MM	G <sup>±.03 (.8)</sup>
PV14-6FF	-C -M	#6	.165 (4,19)	.88 (23,4)	.28 (7,1)	.19 (4,8)	.72 (18,3)
PV14-8FF	-C -M	#8		.94 (23,9)	.31 (7,9)	.23 (5,8)	.76 (19,3)
PV14-10FF	-C -M	#10		.94 (23,9)	.35 (8,9)	.23 (5,8)	.76 (19,3)

**NOTES:**

**1. Used for:**

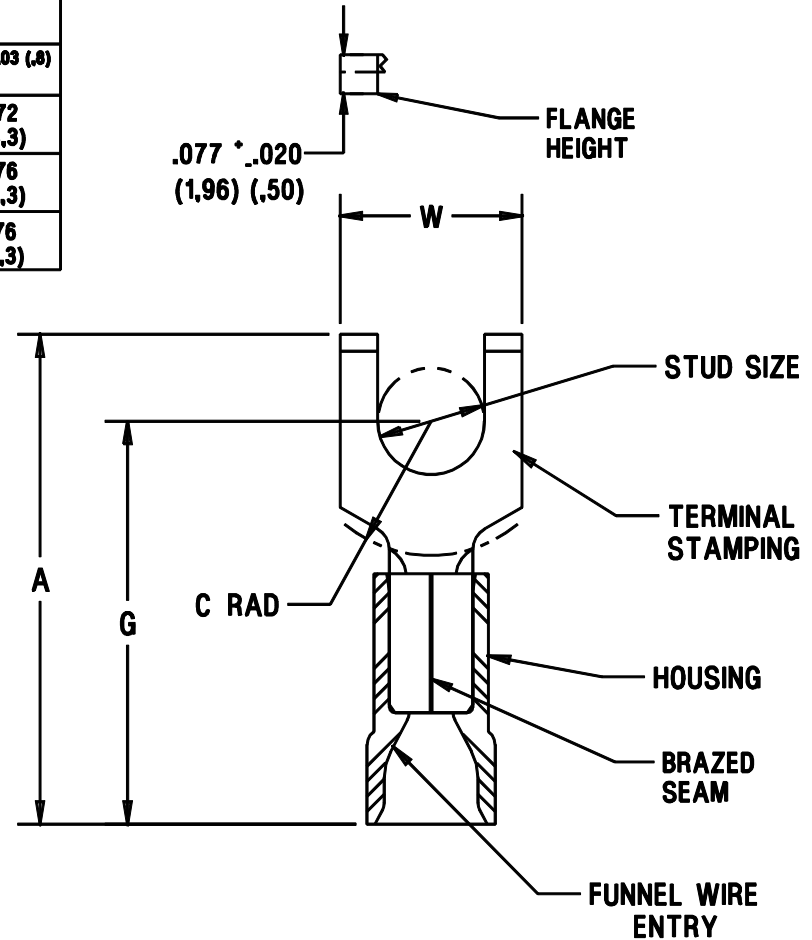
- A. 600 max voltage rating.
- B. #16-14 AWG Solid or stranded copper wire range, Temperature rating of insulation: 105°C(221°F) with CT-1551, CT-1550 installation tools.
- C. #16-14 AWG Solid or stranded copper wire range, 75°C(167°F) max temp rating with CT-100 installation tool

2. Wire strip length: 5/16 <sup>+1/32</sup> <sub>-0</sub> (7,9 <sup>+0,8</sup> <sub>-0</sub>)

3. Package Quantity (Suffix to basic part no.)  
 A. Standard -C=100  
 B. Bulk -M=1000

4. Material:  
 A. Stamping: .032 (.81) thick tin plated copper  
 B. Housing: Blue vinyl

5. Dimensions in brackets are in millimeters



A41573\_03

03	01/01	EJS		FILE SPEC WAS 141573AA_PCD_02.REMOVED INSTALLATION TOOLS FROM NOTE 1-B, ADDED "FLANGE HEIGHT" NOTE TO Dwg. UPDATED NOTE 1-B TO TEMP RATING OF INSULATION: 105°C(221°F)				 TINLEY PARK, ILLINOIS <b>VINYL INSULATED</b> <b>#16-14 BARREL, FLANGED FORKS</b>
02	5/99	JKD	SKB	ADDED CT-1551 & CT-1550 TOOLS	07632	TRO	JCJ	
01	11/94	MS		ADDED UL/CSA APPROVAL SYMBOLS	02639	JJM	LA	
00	8/94	MS	WJB	RELEASED	02387	KS	LA	
REV	DATE	BY	CHK	DESCRIPTION	ECN NO.	PM	CUST	DRAWN BY <b>MS</b> CHK'D SCALE <b>NONE</b> DRAWING NO. <b>A41573</b>

## X-ON Electronics

Largest Supplier of Electrical and Electronic Components

*Click to view similar products for [Terminals](#) category:*

*Click to view products by [Panduit](#) manufacturer:*

Other Similar products are found below :

[HT-13-10](#) [71M-250-32-NB](#) [01-2065-1-0216](#) [00581P0075](#) [M10-10RX](#) [M10BCK](#) [60205-1](#) [604200-1](#) [60598-1-CUT-TAPE](#) [60617-1-C](#) [60873-1](#) [M14-516R/SK](#) [M14-6RSX](#) [M18-10FLX](#) [M18-8FBX](#) [M18-8R/LX](#) [M18BCK](#) [61314-6-C](#) [61-S](#) [61-SN-A](#) [62-NBM-A](#) [63-S](#) [640179-1](#) [640917-2-CUT-TAPE](#) [6501550002](#) [66107-2-C](#) [66107-4-C](#) [696683-1](#) [696834-1](#) [696861-1](#) [696931-1](#) [696999-1](#) [M8-516RK](#) [M86700006](#) [MA250DMFMX-A](#) [701-2007](#) [701-2307](#) [701-7761-03](#) [70F-110-32-PB](#) [718-N-A](#) [71M-187-20-NBL](#) [71M-250-32-NBL](#) [72F-187-20-NBL](#) [72M-250-32-NBL](#) [7310](#) [73F-250-32](#) [73F-250-32-NBL](#) [73F-250-32-NL](#) [F14-10C](#) [F-1M](#)