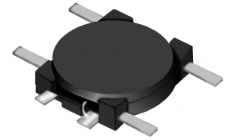
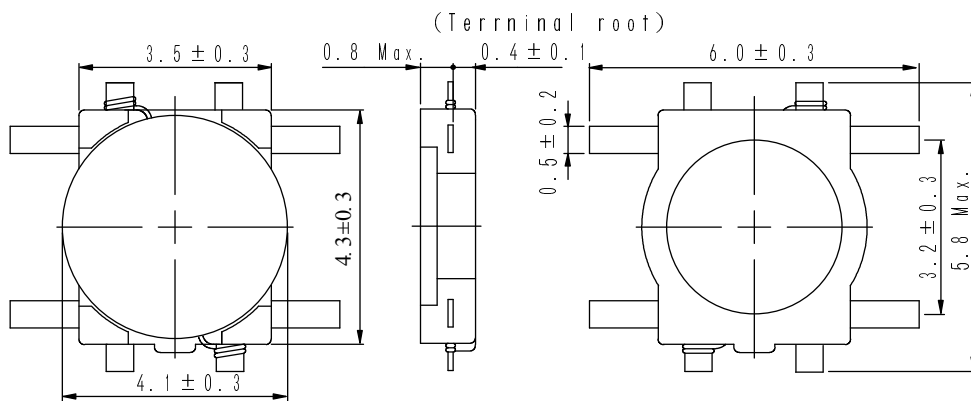
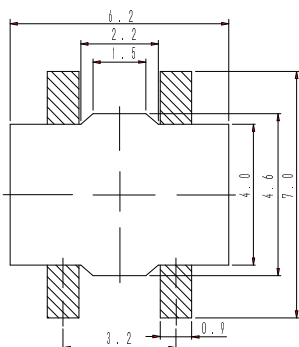
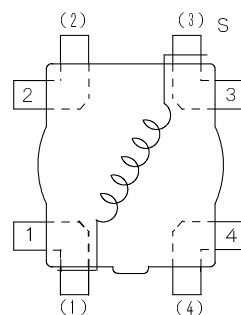


Type: CMD4D06
◆ Product Description

- 6.3 × 5.8mm Max.(L × W), 0.8mm Max. Height.
- Inductance Range: 2.2 ~ 47 μ H.
- Rated current range: 0.18 ~ 0.95A.
- 4 Terminal pins' type gives a flexible design as inductors or transformers(SEPIC, ZETA circuit).
- In addition to the standards versions used as power inductors shown here, custom designs as transformers(SEPIC, ZETA circuit) and inductors are also available.


◆ Feature

- Magnetically unshielded construction.
- Ideally used in portable devices such as Mobilephone, DSC/DVC, MP3, PDA, etc as DC-DC Converter inductors, specially suitable for White LED drive.
- RoHS Compliance

◆ Dimensions (mm)

◆ Land Pattern (mm)

◆ Schematics (Bottom)


“S” is winding start.

Type: CMD4D06
◆ Specification

Part No. ※	Stamp	Inductance (μ H) 100kHz/1V	D.C.R.(m Ω) Max.(Typ.) (at 20°C)	Rated Current (mA)※1
CMD4D06NP-2R2M□	2R2	2.2 \pm 20%	116(89)	950
CMD4D06NP-3R3M□	3R3	3.3 \pm 20%	174(134)	770
CMD4D06NP-4R7M□	4R7	4.7 \pm 20%	216(166)	750
CMD4D06NP-6R8M□	6R8	6.8 \pm 20%	296(228)	620
CMD4D06NP-100M□	100	10.0 \pm 20%	457(352)	500
CMD4D06NP-150M□	150	15.0 \pm 20%	676(520)	400
CMD4D06NP-220M□	220	22.0 \pm 20%	1066(820)	300
CMD4D06NP-330M□	330	33.0 \pm 20%	1647(1267)	240
CMD4D06NP-470M□	470	47.0 \pm 20%	2843(2187)	180

※ Description of Part Name

CMD4D06NP-2R2M□

- B Box
- C Carrier Tape

※ Rated current: The D.C. current at which the inductance decreases to 90% of it's initial value or when $\Delta t=40^{\circ}\text{C}$, whichever is lower($T_a=20^{\circ}\text{C}$).

X-ON Electronics

Largest Supplier of Electrical and Electronic Components

Click to view similar products for [Fixed Inductors](#) category:

Click to view products by [Sumida](#) manufacturer:

Other Similar products are found below :

[MLZ1608M6R8WTD25](#) [MLZ1608N6R8LT000](#) [MLZ1608N3R3LTD25](#) [MLZ1608N3R3LT000](#) [MLZ1608N150LT000](#)
[MLZ1608M150WTD25](#) [MLZ1608M3R3WTD25](#) [MLZ1608M3R3WT000](#) [MLZ1608M150WT000](#) [MLZ1608A1R5WT000](#)
[MLZ1608N1R5LT000](#) [B82432C1333K000](#) [PCMB053T-1R0MS](#) [PCMB053T-1R5MS](#) [PCMB104T-1R5MS](#) [CR32NP-100KC](#) [CR32NP-151KC](#) [CR32NP-180KC](#) [CR32NP-181KC](#) [CR32NP-1R5MC](#) [CR32NP-390KC](#) [CR32NP-3R9MC](#) [CR32NP-680KC](#) [CR32NP-820KC](#)
[CR32NP-8R2MC](#) [CR43NP-390KC](#) [CR43NP-560KC](#) [CR43NP-680KC](#) [CR54NP-181KC](#) [CR54NP-470LC](#) [CR54NP-820KC](#) [CR54NP-8R5MC](#)
[MGDQ4-00004-P](#) [MGDU1-00016-P](#) [MHL1ECTTP18NJ](#) [MHL1JCTTD12NJ](#) [PE-51506NL](#) [PE-53601NL](#) [PE-53630NL](#) [PE-53824SNLT](#) [PE-62892NL](#) [PE-92100NL](#) [PG0434.801NLT](#) [PG0936.113NLT](#) [PM06-2N7](#) [PM06-39NJ](#) [HC2LP-R47-R](#) [HC2-R47-R](#) [HC3-2R2-R](#) [HC8-1R2-R](#)