

COMMON MODE CHOKE FOR DATA & SIGNAL LINES



MODEL NO : CMDC-09250 HF SERIES

Features :

- * SMD version .
- * Excellent frequency characteristics in small package .
- * Compliant with RoHS & halogen free .

Application :

- * Automotive.
- * Industrial products .
- * Rated voltage 42V AC / 80V DC .
- * 500Vrms for 2 seconds isolation between winding and winding .

Electrical Specification :

PART NO	INDUCTANCE (μ H) (NOTE 1)	LEAKAGE INDUCTANCE (nH) typ (NOTE 2)	DCR (Ω) MAX.	RATED CURRENT (A) MAX (NOTE 3)	Zmax (Ω) TYP.	Winding style
CMDC-9260-10	10 \pm 30%	55	0.08	1.6	920	Bifilar
CMDC-9260-25	25 \pm 30%	60	0.16	1.0	2800	Bifilar
CMDC-9260-40	40 \pm 30%	80	0.25	0.9	3100	Bifilar
CMDC-9260-50	50 \pm 30%	85	0.32	0.8	5500	Bifilar
CMDC-9260-250	250 \pm 50%	60	0.13	1.2	1800	Bifilar
CMDC-9260-500	500 \pm 50%	75	0.15	1.0	3300	Bifilar
CMDC-9260-1000	1000 \pm 50%	90	0.31	0.8	6000	Bifilar
CMDC-9260-2000	2000 \pm 50%	130	0.42	0.6	9200	Bifilar
CMDC-9260-4700	4700 \pm 50%	180	0.90	0.4	20000	Bifilar
CMDC-9260-6500	6500 \pm 50%	280	1.05	0.3	18400	Bifilar

NOTE(1) : Measuring condition : 10uH – 50uH : 1KHz , 0.1 Vrms ., 250uH –6500uH :100 KHz ,5 mVrms.

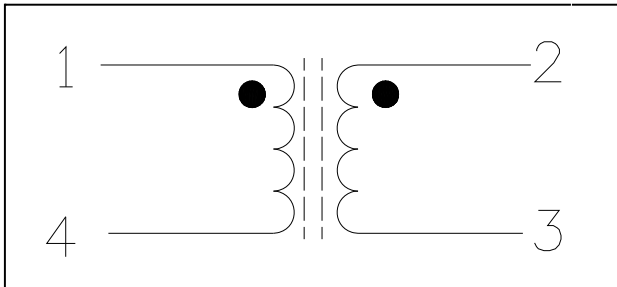
NOTE(2) : Measuring condition : 1 MHz,0.1 Vrms .

NOTE(3) : Δ T =45°C approximately under the rated current.

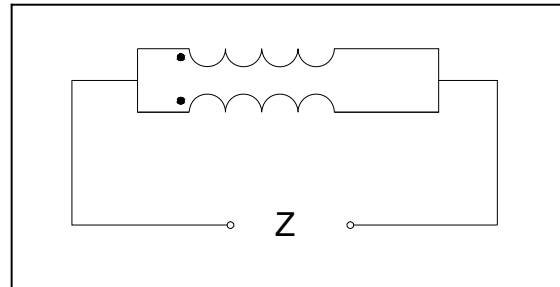
NOTE(4) : Operating temperature : -40°C ~ +105°C.

(Including self-heat generation by turning the electricity)

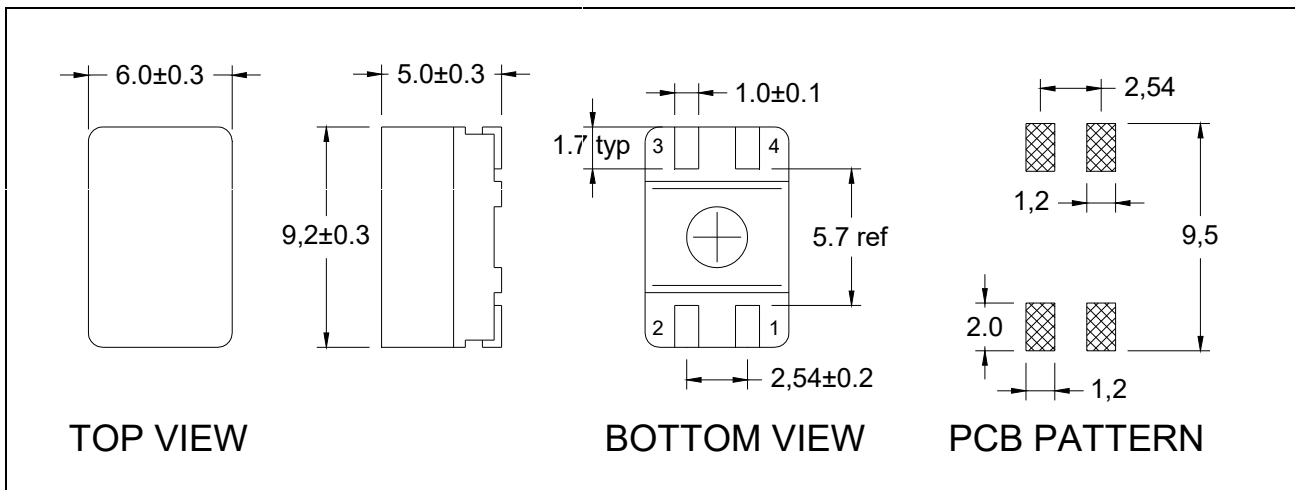
Schematic :



Test setup:



Physical Dimension : (unit :mm)



PACKAGING SPEC:

1. REEL SIZE & UNITS PER REEL :13",1000PCS.
2. TAPE WIDTH:16mm.
3. REEL WIDTH:22.4mm.
4. COMPONENT PITCH: 12mm
5. Unit weight : 0.42 g typ / pcs .
6. Outer carton : 40 cm x 40 cm x 24 cm , 8.0 kg / 6000 pcs .

X-ON Electronics

Largest Supplier of Electrical and Electronic Components

Click to view similar products for [Fixed Inductors](#) category:

Click to view products by [Ferrocore](#) manufacturer:

Other Similar products are found below :

[MLZ1608M6R8WTD25](#) [MLZ1608N6R8LT000](#) [MLZ1608N3R3LTD25](#) [MLZ1608N3R3LT000](#) [MLZ1608N150LT000](#)
[MLZ1608M150WTD25](#) [MLZ1608M3R3WTD25](#) [MLZ1608M3R3WT000](#) [MLZ1608M150WT000](#) [MLZ1608A1R5WT000](#)
[MLZ1608N1R5LT000](#) [B82432C1333K000](#) [PCMB053T-1R0MS](#) [PCMB053T-1R5MS](#) [PCMB104T-1R5MS](#) [CR32NP-100KC](#) [CR32NP-151KC](#) [CR32NP-180KC](#) [CR32NP-181KC](#) [CR32NP-1R5MC](#) [CR32NP-390KC](#) [CR32NP-3R9MC](#) [CR32NP-680KC](#) [CR32NP-820KC](#)
[CR32NP-8R2MC](#) [CR43NP-390KC](#) [CR43NP-560KC](#) [CR43NP-680KC](#) [CR54NP-181KC](#) [CR54NP-470LC](#) [CR54NP-820KC](#) [CR54NP-8R5MC](#)
[MGDQ4-00004-P](#) [MGDU1-00016-P](#) [MHL1ECTTP18NJ](#) [MHL1JCTTD12NJ](#) [PE-51506NL](#) [PE-53601NL](#) [PE-53630NL](#) [PE-53824SNLT](#) [PE-62892NL](#) [PE-92100NL](#) [PG0434.801NLT](#) [PG0936.113NLT](#) [PM06-2N7](#) [PM06-39NJ](#) [HC2LP-R47-R](#) [HC2-R47-R](#) [HC3-2R2-R](#) [HC8-1R2-R](#)