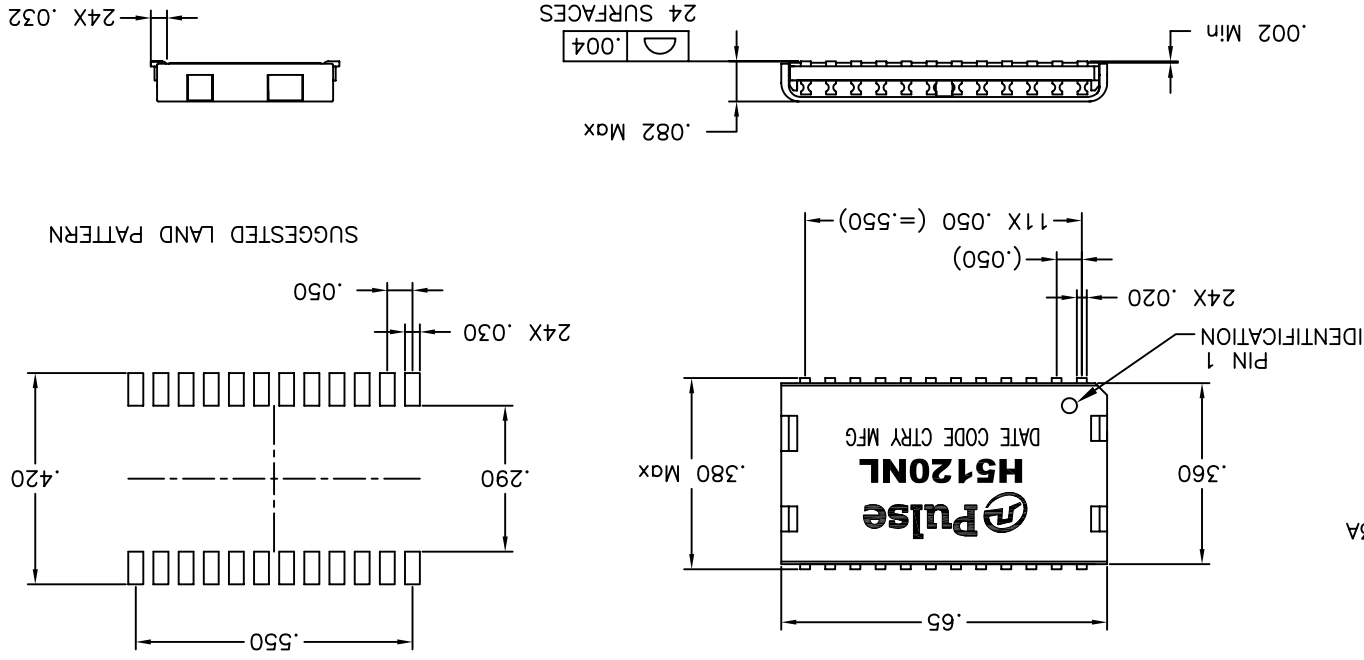




- NOTES: UNLESS OTHERWISE SPECIFIED
1. PLASTIC: THERMOSET PLASTIC MATERIAL WITH FLAMMABILITY RATING UL 94V-0 OR BETTER.
  2. SOLDERABILITY: CONFORMS TO ANSI/J-STD-002, 245°C REFLOW PEAK TEMPERATURE PER IPC/EIA J-STD-003A
  3. OPERATING TEMPERATURE: 0°C TO +70°C
  4. STORAGE TEMPERATURE: -20°C TO +125°C
  5. JEDEC MOISTURE: LEVEL 1.
  6. DIMENSIONS ARE IN INCHES, TOLERANCES:  
 .XX = ±.01  
 .XXX = ±.005



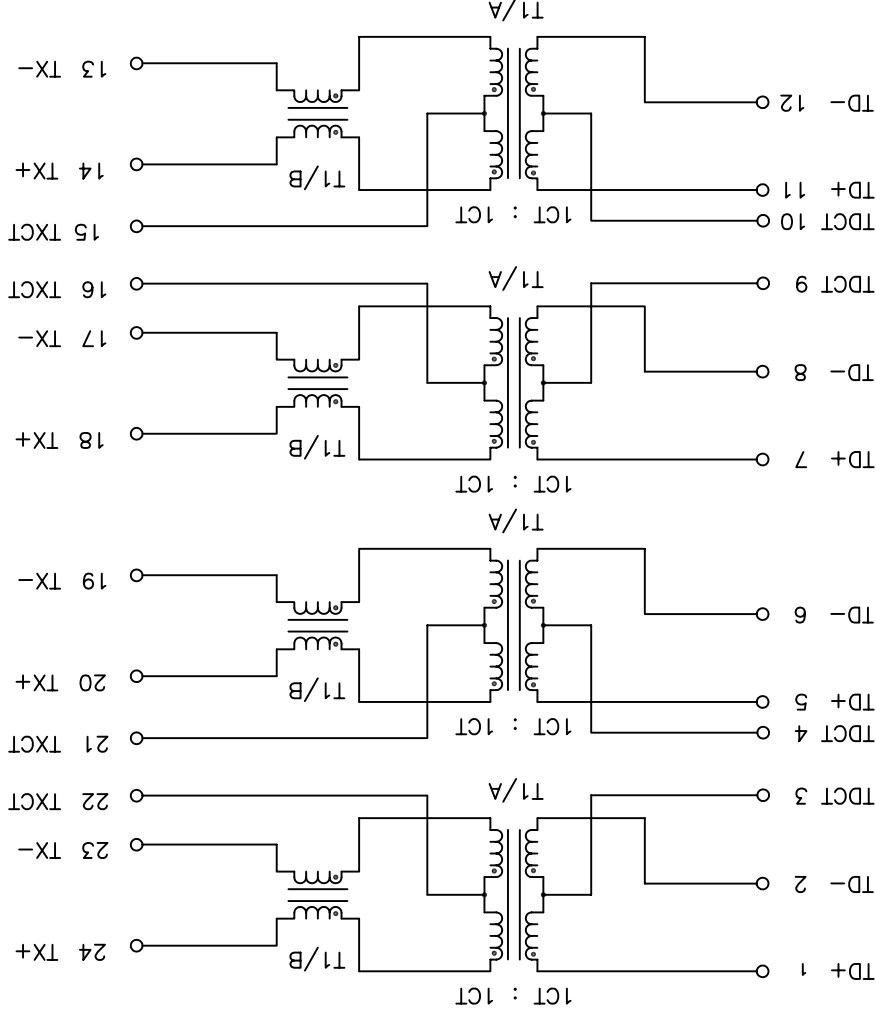
© Copyright, 2011. Pulse Electronics Corp. All rights reserved. Drawing specifications subject to change without notice. (04/12/11)

PULSE CONFIDENTIAL & PROPRIETARY		PRODUCT DESCRIPTION	PS DRAWING	SHEET: 1	DWG. NO./ PART NO.	REV.
MDL,SIN,1GD,1:1,S,M,TU		PS-2422.001-B	H5120NL	M13		



© Copyright, 2011. Pulse Electronics Corp. All rights reserved. Drawing specifications subject to change without notice. (04/12/11)

SCHMATIC



NOTE: f IS FREQUENCY IN MHZ.

PARAMETER		SPECIFICATIONS	
OPERATING TEMP		0°C - 70 °C	
TURNS RATIO		1 : 1 ±2%	
POLARITY		PER SCHEMATIC	
INSERTION LOSS		-1.2 DB MAX	100 KHZ
RETURN LOSS		-16 DB MIN	1-40 MHZ
INDUCTANCE (OCL)		350 uH MIN	1-125 MHZ
(MEDIA SIDE, 0°C-70°C)		(AND WITH 8 mA DC BIAS)	
		MEASURED AT 100 KHZ, 100 mVRMS	
CROSSTALK, ADJACENT CHANNELS		-50 DB MIN	1 MHZ
COMMON MODE REJECTION RATIO		-42 DB MIN	10-100 MHZ
DC RESISTANCE, 1/2 WINDING		2 MHZ	30-200 MHZ
		-15+20*LOG <sub>10</sub> (f/200) DB MIN	
DC RESISTANCE IMBALANCE		±.065 OHMS MAX (CENTER TAP SYMMETRY)	
INPUT - OUTPUT ISOLATION		1500 VRMS MIN @ 60 SECONDS	

ELECTRICAL CHARACTERISTICS AT +25°C UNLESS OTHERWISE SPECIFIED (FOR REFERENCE ONLY. USED FOR CUSTOMER INFORMATION.)

## X-ON Electronics

Largest Supplier of Electrical and Electronic Components

*Click to view similar products for [Audio Transformers](#) / [Signal Transformers](#) category:*

*Click to view products by [Pulse manufacturer](#):*

Other Similar products are found below :

[749023020](#) [CU4S0506AT-2655-H1](#) [MET-58](#) [PE-64961](#) [H5008FNL](#) [H5020FNLT](#) [H5079NLT](#) [1879479-1](#) [1879564-1](#) [PA1277NLT](#)  
[PA1528ANL](#) [PA2007NLT](#) [FL1066](#) [T1137NLT](#) [T3012NL](#) [PE-65812FNL](#) [TTC-100](#) [TTC-143-H](#) [TTC-5032-1](#) [HX1234NLT](#) [HX5008FNLT](#)  
[100B-1001XNL](#) [PA1282NLT](#) [HX5084FNL](#) [T1108NLT](#) [2-1879391-5](#) [TTC-266-2](#) [3-1879385-4](#) [PA1032NL](#) [H2009FNLT](#) [PA0801NLT](#)  
[TTC-266](#) [X-1619](#) [SM51295PEL](#) [T5008NLT](#) [PE-68517T](#) [HX1294NLT](#) [HX5084FNLT](#) [H5015FNLT](#) [H6080NLT](#) [CX2024NL](#) [HX1294FNLT](#)  
[TX1473NLT](#) [PE-69011NLT](#) [CX2047LNLT](#) [CX2043LNLT](#) [DCT20EFD-U32S003](#) [H5120NLT](#) [H7137FNLT](#) [H1259NLT](#)