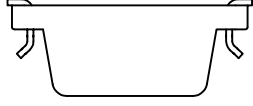
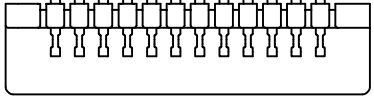


NOTES:

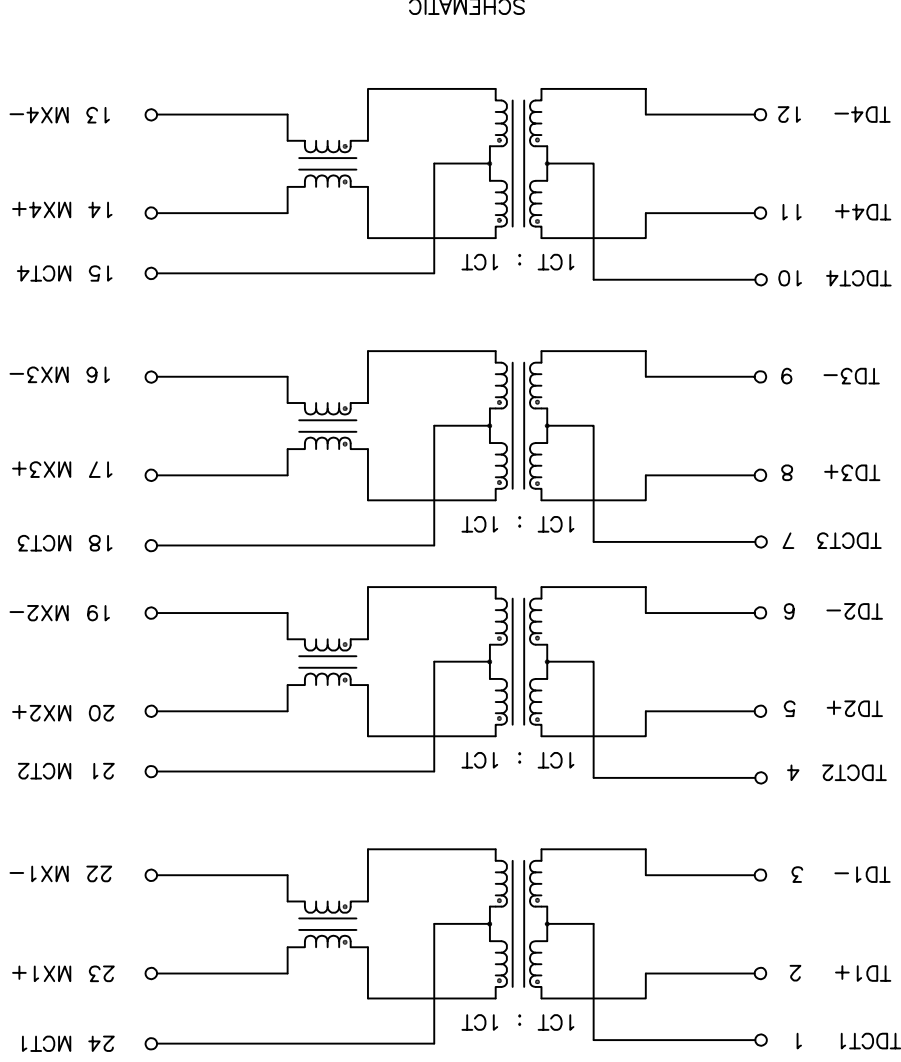
1. ROHS COMPLIANT
2. HEADER: DAP (DIALYL PHTHALATE) WITH FLAMMABILITY RATING UL 94V-0 OR BETTER.
3. STORAGE TEMPERATURE: -20°C TO +125°C
4. COMPLIANCE TO J-STD:
 A. J-STD-002: SOLDERABILITY AT 245°C REFLOW PROFILE
 B. J-STD-020: LEVEL 1, NO MOISTURE SENSITIVE
 C. J-STD-075: R7, 245°C MAXIMUM THROUGH REFLOW SOLDER
 TO ORDER TAPE & REEL PACKAGING ADD A "T" SUFFIX TO THE PART NUMBER(i.e H5143FNL BECOMES H5143FNLT).



FINAL OUTLINE

PRODUCT DESCRIPTION	TLA DRAWING	PS DRAWING	SHEET	PART NO.	DATA SHEET REV.
MDL,SIN,1GD,1:1,SM,TU	H5143FNL-10	PS-2759.001-A	1 OF 3	H5143FNL	D

© Copyright, 2017. Pulse Electronics Corp. All rights reserved. Pulse confidential & proprietary. (05/02/17)

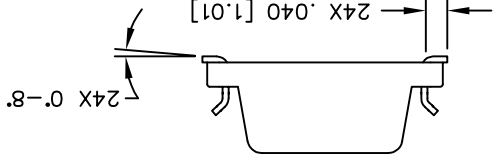
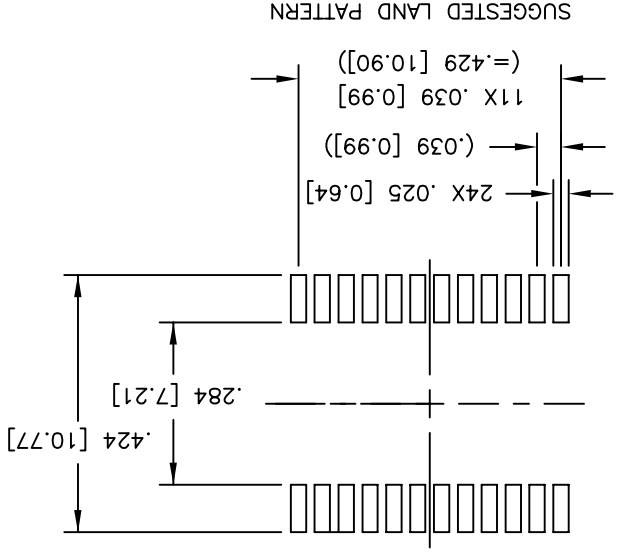
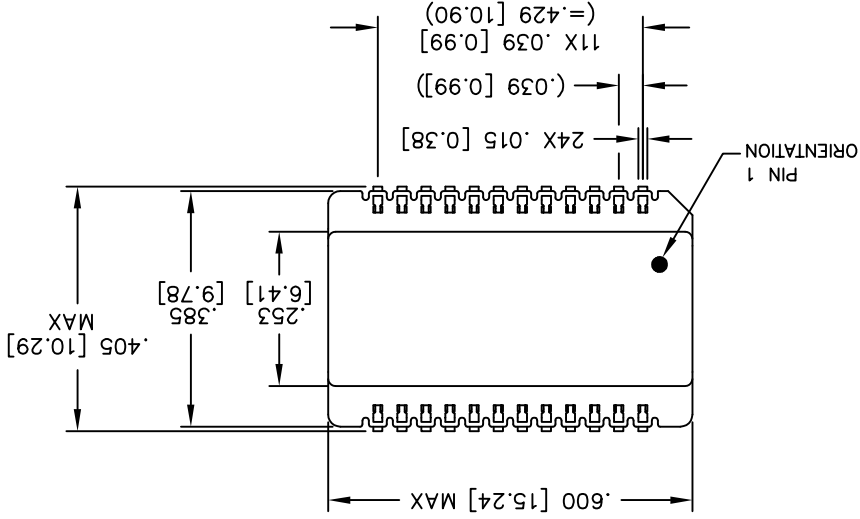
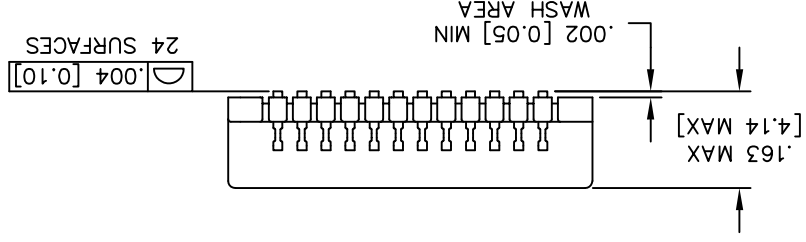


PARAMETER		SPECIFICATIONS	
OPERATING TEMP		0°C TO +70°C	
TURNS RATIO		1 : 1 ±2%	
POLARITY		PER SCHEMATIC	
INSERTION LOSS		-1.2 DB MAX	100 KHZ
RETURN LOSS		-1.40 DB MIN	40-100 MHZ
(Z OUT = 100 OHM ±15%)		-16 DB MIN	-10+20*LOG ₁₀ (f/80 MHZ) DB MIN
INDUCTANCE (OCL) (MEDIA SIDE, 0°C~+70°C)		350 uH MIN	(MEASURED AT 100 KHZ, 100 mVRMS) (AND WITH 8 mA DC BIAS)
CROSSTALK, ADJACENT CHANNELS		-50 DB MIN	-55+22*LOG ₁₀ (f/10) DB MIN
COMMON MODE REJECTION RATIO		-42 DB MIN	-15+20*LOG ₁₀ (f/200) DB MIN
DC RESISTANCE, 1/2 WINDING		.65 OHMS MAX	
DC RESISTANCE IMBALANCE		±.065 OHMS MAX (CENTER TAP SYMMETRY)	
INPUT - OUTPUT ISOLATION		1500 VRMS MIN @ 60 SECONDS	

NOTE: f IS FREQUENCY IN MHZ.

PRODUCT DESCRIPTION	TLA DRAWING	PS DRAWING	SHEET	PART NO.	DATE SHEET REV.
MDL,SIN,1GD,1:1,SM,TU	H5143FNL-10	PS-2759.001-A	3 OF 3	H5143FNL	D

DIMENSIONS ARE IN INCH [MILLIMETERS] WITH THE FOLLOWING TOLERANCES: [MILLIMETER] ARE FOR REFERENCE ONLY.
 .XX = ±.01 [±0.25]
 .XXX = ±.005 [±0.13]



X-ON Electronics

Largest Supplier of Electrical and Electronic Components

Click to view similar products for [Power Transformers](#) category:

Click to view products by [Pulse manufacturer](#):

Other Similar products are found below :

[1-1672275-3](#) [A41-43-20A20](#) [DST5-120B39](#) [14A-56-36B42](#) [EN2997SE61808F8](#) [9-1611461-2](#) [29768](#) [1654308-1](#) [170R](#) [ST2-12B42](#) [ST3-12B5](#) [ST6118T-R](#) [PE-68421NL](#) [PL2.5-12-130B-C](#) [PoE4W3x5.0-R](#) [POE7W3X3.3-R](#) [4000-20C02K999](#) [4001-09W15AE777](#) [48RO-5000G-SIL](#) [TRA-0130-R](#) [XON7-15/2](#) [47045010](#) [1-1611462-6](#) [1-1611760-0](#) [EN2997SE61808F9](#) [OPT110F-EAS00004AU](#) [XON25-9/24](#) [XON01349](#) [XON01200](#) [XDCA001/INER01](#) [PE-68414NL](#) [F-91X](#) [F-29U](#) [6673GE](#) [DST4-16B10](#) [DP241-8-24A55](#) [DP241-5-10A21](#) [P-8577](#) [T50-24M3](#) [1-1672277-2](#) [1-1672277-0](#) [1-1672275-5](#) [1-1672275-0](#) [4000-01V18BC999](#) [PC-24-180B18](#) [750315837](#) [750315125](#) [POE13W2VERS-R](#) [PA2380NL](#) [14A-10-12B9](#)