

NOTES:

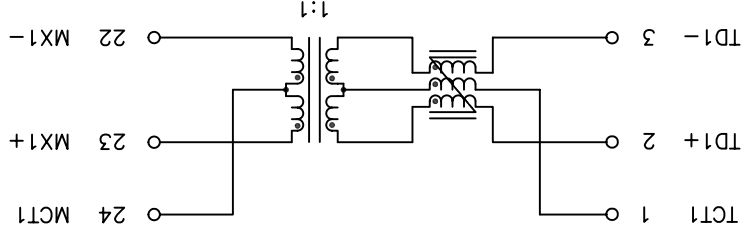
1. ROHS COMPLIANT
2. HEADER: DAP (DIALYL PHTHALATE) WITH FLAMMABILITY RATING UL 94V-0 OR BETTER.
3. STORAGE TEMPERATURE: -20°C TO +125°C
4. COMPLIANCE TO J-STD:
 - A. J-STD-002: SOLDERABILITY AT 245°C REFLOW PROFILE
 - B. J-STD-020: LEVEL 1, NO MOISTURE SENSITIVE
 - C. J-STD-075: R7, 245°C MAXIMUM THROUGH REFLOW SOLDER
5. TO ORDER TAPE & REEL PACKAGING ADD A "T" SUFFIX TO THE PART NUMBER (i.e. H7029FNL BECOMES H7029FNLT).



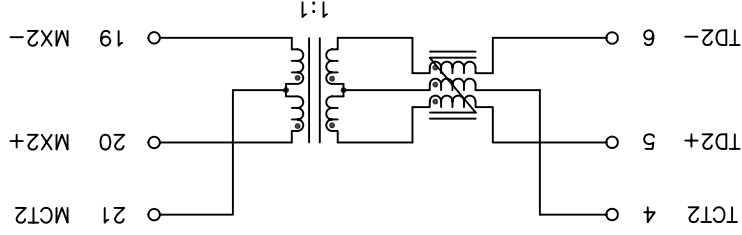
FINAL OUTLINE

PRODUCT DESCRIPTION	TLA DRAWING	PS DRAWING	SHEET	PART NO.	DATASHEET REV.
MDL,SIN,10G,1;1,GEN2,SM,TU	H7029FNL-10	PS-2578,002-B	1 OF 3	H7029FNL	A

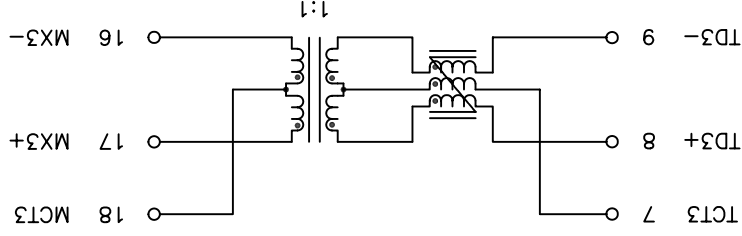
© Copyright, 2014. Pulse Electronics Corp. All rights reserved. Pulse confidential & proprietary. (06/26/14)



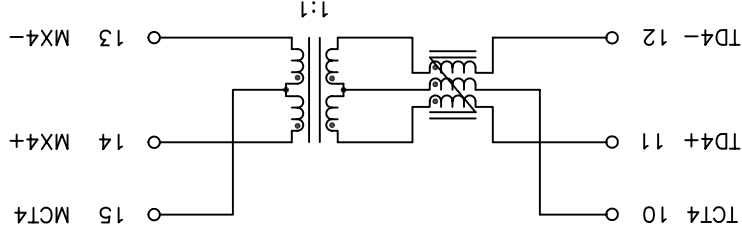
CHANNEL 1



CHANNEL 2



CHANNEL 3



CHANNEL 4

SCHEMATIC

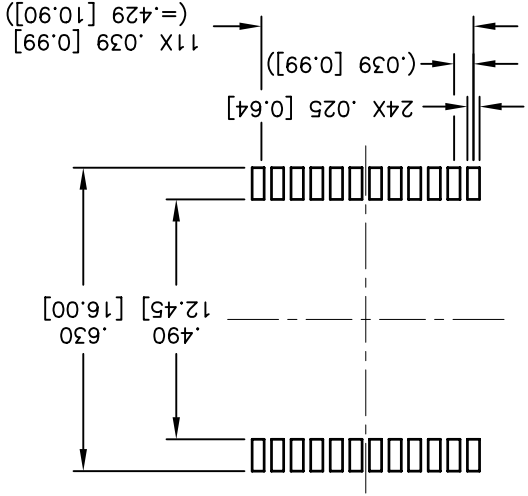
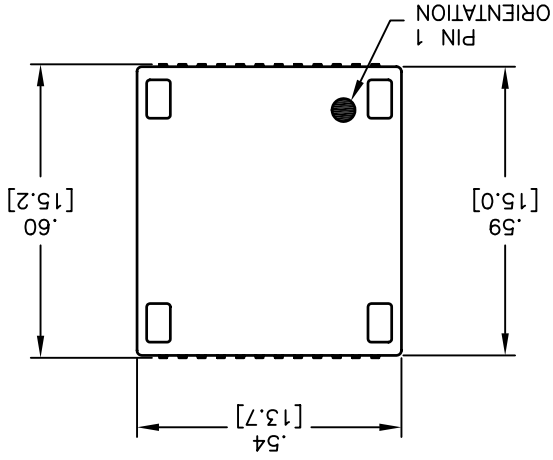
© Copyright, 2014, Pulse Electronics Corp. All rights reserved. Pulse confidential & proprietary. (06/26/14)

PRODUCT DESCRIPTION	TLA DRAWING	PS DRAWING	SHEET	PART NO.	DATASHEET REV.
MDL,SIN,10G,1:1,GEN2,SM,TU	H7029FNL-10	PS-2578,002-B	2 OF 3	H7029FNL	A

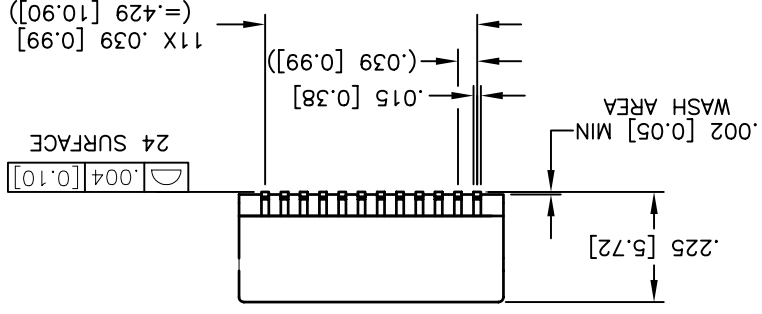
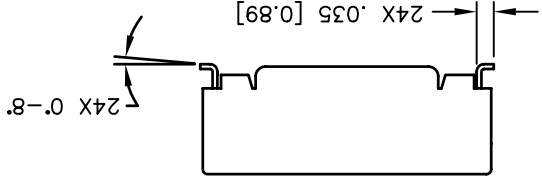
PARAMETER	SPECIFICATIONS	
OPERATING TEMPERATURE	0°C TO 70°C	
TURNS RATIO	1.00 ± 2%	
POLARITY	PER SCHEMATIC	
INSERTION LOSS	100 KHZ	-3.0 DB MAX
	1-400 MHZ	-1.0 DB MAX (-.6 DB TYP)
PHY-SIDE RETURN LOSS	1 MHZ	-23 DB MIN
	2 MHZ-100 MHZ	-25 DB MIN
	100 MHZ-500 MHZ	-12+21.6*LOG ₁₀ (f/400) DB MIN
(SDD11 - Zref = 100 OHMS ± 1%)		
LINE-SIDE RETURN LOSS	1 MHZ - 40 MHZ	40 MHZ - 400 MHZ
	40 MHZ - 400 MHZ	400 MHZ - 500 MHZ
(SDD22 - Zref = 100 OHMS ± 1%)		
INDUCTANCE (OCL)	120 uH MIN @ 100 KHZ, 100 mV	
CROSSTALK, ADJACENT CHANNELS	1-100 MHZ	-40 DB MIN
	100-500 MHZ	-30 DB MIN
(SDD21 - ADJ.)		
COMMON MODE REJECTION RATIO	1 MHZ-100 MHZ	-37 DB MIN
	100-300 MHZ	-30 DB MIN
	300-500 MHZ	-25 DB MIN
(SCC21)		
COMM. TO DIFF. REJECTION RATIO	1 MHZ-100 MHZ	-40 DB MIN
	100-300 MHZ	-30 DB MIN
	300-500 MHZ	-25 DB MIN
(SDC12)		
INPUT - OUTPUT ISOLATION	1500 VRMS MIN @ 60 SECONDS	

NOTE: f IS FREQUENCY IN MHZ.

ELECTRICAL CHARACTERISTICS AT +25°C UNLESS OTHER SPECIFIED
MEETS IEEE 802.3 SPECIFICATION



SUGGESTED LAND PATTERN



DIMENSIONS ARE IN INCHES [MILLIMETERS] WITH THE FOLLOWING TOLERANCES: [MILLIMETERS] ARE FOR REFERENCE ONLY.
 .XX = $\pm .01$ [± 0.25]
 .XXX = $\pm .005$ [± 0.13]

© Copyright, 2014, Pulse Electronics Corp. All rights reserved. Pulse confidential & proprietary. (06/26/14)

PRODUCT DESCRIPTION	TLA DRAWING	PS DRAWING	SHEET	PART NO.	DATASHEET REV.
MDL,SIN,10G,1:1,GEN2,SM,TU	H7029FNL-10	PS-2578,002-B	3 OF 3	H7029FNL	A

X-ON Electronics

Largest Supplier of Electrical and Electronic Components

Click to view similar products for [Audio Transformers](#) / [Signal Transformers](#) category:

Click to view products by [Pulse manufacturer](#):

Other Similar products are found below :

[749023020](#) [CU4S0506AT-2655-H1](#) [MET-58](#) [PE-64961](#) [H5008FNL](#) [H5020FNLT](#) [H5079NLT](#) [1879479-1](#) [1879564-1](#) [PA1277NLT](#)
[PA1528ANL](#) [PA2007NLT](#) [FL1066](#) [T1137NLT](#) [T3012NL](#) [PE-65812FNL](#) [TTC-100](#) [TTC-143-H](#) [TTC-5032-1](#) [HX1234NLT](#) [HX5008FNLT](#)
[100B-1001XNL](#) [PA1282NLT](#) [HX5084FNL](#) [T1108NLT](#) [2-1879391-5](#) [TTC-266-2](#) [3-1879385-4](#) [PA1032NL](#) [H2009FNLT](#) [PA0801NLT](#)
[TTC-266](#) [X-1619](#) [SM51295PEL](#) [T5008NLT](#) [PE-68517T](#) [HX1294NLT](#) [HX5084FNLT](#) [H5015FNLT](#) [H6080NLT](#) [CX2024NL](#) [HX1294FNLT](#)
[TX1473NLT](#) [PE-69011NLT](#) [CX2047LNLT](#) [CX2043LNLT](#) [DCT20EFD-U32S003](#) [H5120NLT](#) [H7137FNLT](#) [H1259NLT](#)