

PRODUCT NUMBER
71991-XXXXLF

ROHS COMPATIBLE, SEE NOTE 6.

OPTIONAL LETTER

H: HIGH TEMPERATURE PRODUCT.

NUMBER OF POSITIONS PER ROW: 02 TO 50.

PLATING CODE

3 = 0.76µm GOLD ON CONTACT AREA.

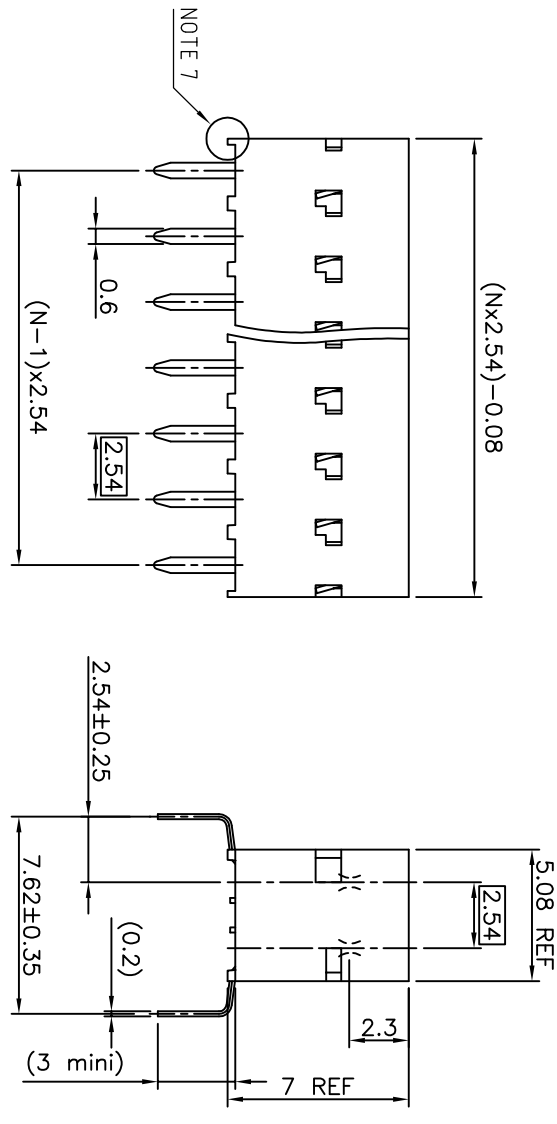
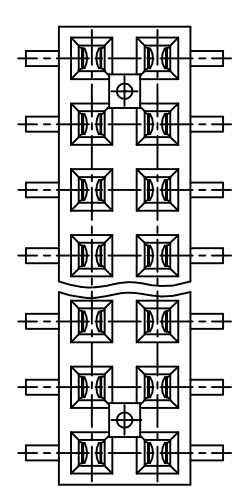
2µm MIN MATTE TIN ON TAIL.

4 = 2µm MIN MATTE TIN FULL PLATED

8 = 0.38µm GOLD ON CONTACT AREA.

2µm MIN MATTE TIN ON TAIL.


1.27µm Ni MIN UNDERPLATING

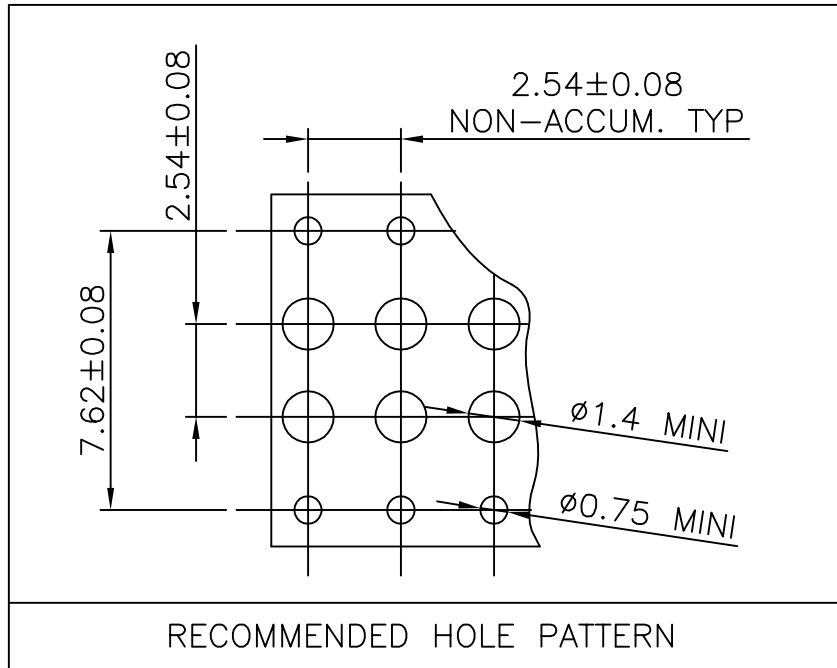


NOTES:

- 1 - HOUSING MAT'L: THERMOPLASTIC GLASS FILLED FLAME RETARDANT PER UL 94 V-0
LOW TEMPERATURE: COLOR BLUE
HIGH TEMPERATURE: COLOR GREY.
- 2 - TERMINAL MATERIAL: PHOSPHOR BRONZE.
- 3 - 2 UP TO 50 POSITIONS PRODUCT PACKED IN TUBE.
- 4 - TO DETERMINE DIMENSIONS:
N = NUMBER OF POSITIONS PER ROW
EXAMPLE: 8 POS: (Nx2.54)-0.08=20.24 mm
- 5 - RECOMMENDED IR PROFIL PER TA 842.
- 6 - ROHS COMPATIBLE PRODUCT SPECIFICATIONS
- d - PLATING:
- "LF" MEANS THE PRODUCT IS LEAD-FREE, 2µm MINIMUM MATTE TIN OVER 1.27µm MINIMUM NICKEL UNDERPLATE.
- b - MANUFACTURING PROCESS COMPATIBILITY
- THE HOUSING WILL WITHSTAND EXPOSURE TO 260°C ±5°C SOLDER BATH TEMPERATURE FOR 5 SECONDS IN A WAVE SOLDER APPLICATION WITH A 1.6mm MIN THICK CIRCUIT BOARD.
- c - LABELING:
- MEETS PACKAGING SPECS AS PER GS-14-920
- d - LEGAL STATEMENT: SEE GS-47-0004
- 7 - END STAND-OFFS FOR 2x2 UP TO 2x5 POS
NO END STAND-OFFS FOR 2x6 UP TO 2x50 POS

mat'l. code	surface	tolerance	projection	product family
SEE NOTES	ISO 1302	ISO 406 ISO 1101	ISO 1101	DUBOX
thr	ecn no	dr	date	ISO 1302
Y	B-19123	LMU	14.10.20	tolerances unless otherwise specified
				angles
T	F06-0137	DLE	06.02.27	#2
U	F06-0204	DLE	06.06.20	dr
V	F06-0323	DLE	06.11.21	lengr
W	F09-0011	LMU	09.02.16	chr
X	F11-0043	JCO	12.02.22	qppd
				P NZ
sheet	revision	Y	B	
index	sheet	1	2	


BTB RECEIPT.
 VERT DR TMT
 sheet 1 of 2
 size A3
 drawing



mat'l. code SEE SHEET 1			surface ISO 1302 ✓		tolerance ISO 406 ISO 1101		projection 		product family DUBOX					
ltr	ecn no	dr	date	tolerances unless otherwise specified		mm		title BtB RECEPT. VERT DR TMT						
A	F04-0347	DLE	04.09.27	angles ±2'	linear	±0.3		scale 5:1		dwg no 71991			sheet 2 of 2	size A4
B	F06-0204	DLE	06.06.20							type CUSTOMER			Drawing	
				dr	D LEGRAND	04.09.27								
				engr	P NIZZI	04.09.27								
				chr	D LE	04.09.27								
				appd	P NZ	04.09.27								
sheet index	revision sheet													

X-ON Electronics

Largest Supplier of Electrical and Electronic Components

Click to view similar products for [Headers & Wire Housings](#) category:

Click to view products by [FCT Electronics](#) manufacturer:

Other Similar products are found below :

[95000-104TRLF](#) [10135584-644402LF](#) [DF62W-EP2022PCA](#) [95000-106TRLF](#) [DF62W-2022SCA](#) [DF62W-EP2022PC](#) [2203348](#) [DF62W-2022SC](#) [1084018](#) [1029039](#) [1084017](#) [802-10-012-10-002000](#) [1112640](#) [1112639](#) [000-34000](#) [0008550134](#) [0009482033](#) [0009507031](#) [57102-F02-18ULF](#) [57102-S06-03LF](#) [57202-S52-04LF](#) [PCN6-15S-2.5E](#) [0039019024](#) [58102-G61-06LF](#) [582553-1](#) [0009485154](#) [0009508121](#) [009176003701906](#) [0022285053](#) [0050291907](#) [018731A](#) [LY20-4P-DT1-P1E-BR](#) [02.125.8002.8](#) [60101931](#) [60598-1 \(Cut Strip\)](#) [M1625-3R/100](#) [61062-3](#) [61082-181009](#) [CSU011177004](#) [636-1427](#) [638009-1](#) [641938-9](#) [641991-4](#) [644168-1](#) [644827-2](#) [647662-1](#) [65039-019ELF](#) [65692-001LF](#) [65781-018](#) [65781-047](#)