



F&F Filipowski sp. j  
ul. Konstytucyjowa 79/81  
95-200 Pabianice, POLAND  
tel/fax 48 42 2270974  
e-mail: fif@fif.com.pl

## PZ-831 RC

### FLUID LEVEL CONTROL RELAYS three-position



519 0 8 3 1 2 1 5 9 2 5 4 9

www.fif.com.pl

F&F products are covered by an 24 months warranty from date of purchase

#### PURPOSE

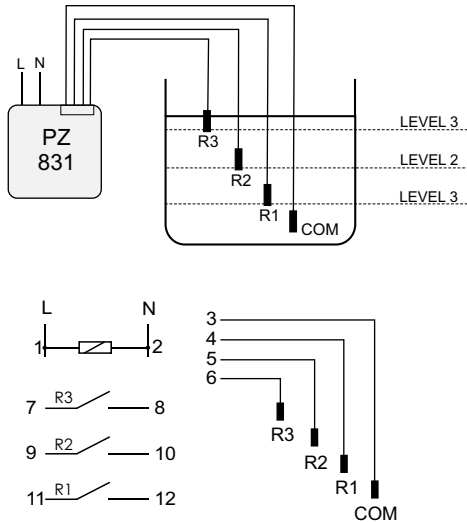
Fluid level control relay PZ-831 is devised to detect the presence of conductive liquids reaching the level of the sensor.

#### FUNCTIONING

Power relay is indicated by shine of a green LED. In the dry state (open all of the probe), all relay joints are open. Liquid short-circuit the base probe and COM further probe the level will close the joint of relay assigned to the probe, for example, at the time of flooding of the first probe R1 (short-circuit the base probe COM and probe the underlying level R1) joint 11-12 is closed. Similarly for the probes R2 and R3. Reducing the liquid level below the probe level (gape COM probe and probe level) to open the joint assigned to the probe.

flooding probe acid-resistant steel electrode in a plastic box case with stuffing box  
dimension of probe R15, l=9,5cm  
probe voltage <6V~  
probe current <0,13mA  
connection cable e.g. DY 1mm<sup>2</sup>

#### WIRING DIAGRAM



#### ASSEMBLY

1. Take OFF the power.
2. Put on the relay on the rail in the switchgearbox.
3. Connect power to joints 1-2 with marks.
4. Probe connect to relay by cable <1mm.
5. Assembly probe on the same level as controlled fluid. Base probe COM should be mounted under the level probes R1, R2 and R3.
6. In supply system of operating devices connect in line(series) joints of relay.
7. By knob set sensitivi.

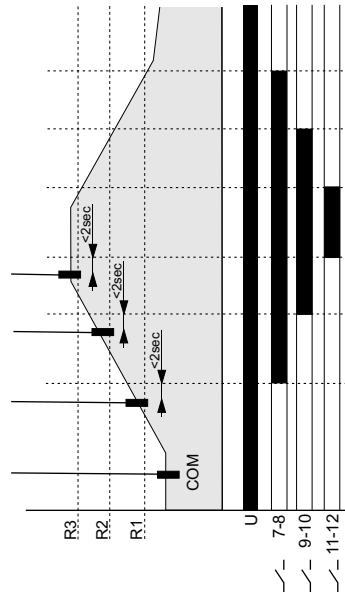
#### ATTENTION!

The electrode probe is connected by means of a cable with wire diameter up to 1 mm and maximum length of 100 m.

#### TECHNICAL DATA

|                        |                                    |
|------------------------|------------------------------------|
| supply                 | 230VAC                             |
| current load           | 3x(<6A)                            |
| joint                  | 3x(1Z)                             |
| sensitivi - to set     | 1+180KΩ                            |
| switching joints delay | <2sec                              |
| power supply           | green LED                          |
| working mode           | 3xred LED                          |
| power consumption      | 1,1W                               |
| connection             | screw terminals 2,5mm <sup>2</sup> |
| dimensions             | 3 modules (52,5mm)                 |
| fixing                 | on rail TH-35                      |

**joints 3-4-5-6 separated by transformer**



Diagram

A090812

## X-ON Electronics

Largest Supplier of Electrical and Electronic Components

*Click to view similar products for [General Purpose Relays](#) category:*

*Click to view products by [F&F](#) manufacturer:*

Other Similar products are found below :

[APF30318](#) [JVN1AF-4.5V-F](#) [PCN-105D3MHZ](#) [5JO-10000S-SIL](#) [5JO-1000CD-SIL](#) [5JO-400CD-SIL](#) [LY2S-AC220/240](#) [LYQ20DC12](#)  
[6031007G](#) [6131406HQ](#) [6-1393099-3](#) [6-1393099-8](#) [6-1393122-4](#) [6-1393123-2](#) [6-1393767-1](#) [6-1393843-7](#) [6-1415012-1](#) [6-1419102-2](#) [6-](#)  
[1423698-4](#) [6-1608051-6](#) [6-1608067-0](#) [6-1616170-6](#) [6-1616248-2](#) [6-1616282-3](#) [6-1616348-2](#) [6-1616350-1](#) [6-1616350-8](#) [6-1616358-7](#) [6-](#)  
[1616359-9](#) [6-1616360-9](#) [6-1616931-6](#) [6-1617039-1](#) [6-1617052-1](#) [6-1617090-2](#) [6-1617090-5](#) [6-1617347-5](#) [6-1617353-3](#) [6-1617801-8](#) [6-](#)  
[1617802-2](#) [6-1618107-9](#) [6-1618248-4](#) [M83536/1-027M](#) [CX-4014](#) [MAHC-5494](#) [MAVCD-5419-6](#) [703XCX-120A](#) [7-1393100-5](#) [7-1393111-7](#)  
[7-1393144-5](#) [7-1393767-8](#)