

**Miniature Series 07
General Purpose Regulator
1/8" and 1/4" Port Sizes**

- **Compact design**
- **Full flow gauge ports**
- **Low torque, non-rising adjusting knob**
- **Snap action knob locks pressure setting when pushed in**
- **Standard relieving models allow reduction of outlet pressure even when the system is dead-ended**
- **Can be disassembled without the use of tools or removal from the air line**


Technical Data

Fluid: Compressed air

Maximum pressure: 20 bar (300 psig)

Operating temperature: -20° to +65°C (0° to +150°F) *

* Air supply must be dry enough to avoid ice formation at temperatures below +2°C (+35°F).

Typical flow at 10 bar (150 psig) inlet pressure, 6,3 bar (90 psig) set pressure and a droop of 1 bar (15 psig) from set:

1/8" ports: 6,5 dm³/s (14 scfm)

1/4" ports: 7 dm³/s (15 scfm)

Gauge ports:

1/8" PTF with PTF main ports

1/8" ISO Rc with ISO Rc main ports

1/8" ISO Rc with ISO G main ports

Materials:

Body: Zinc

Bonnet: Acetal

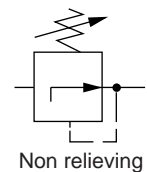
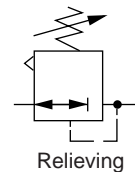
Valve: Brass/nitrile

Valve seat: Acetal

Elastomers: Nitrile

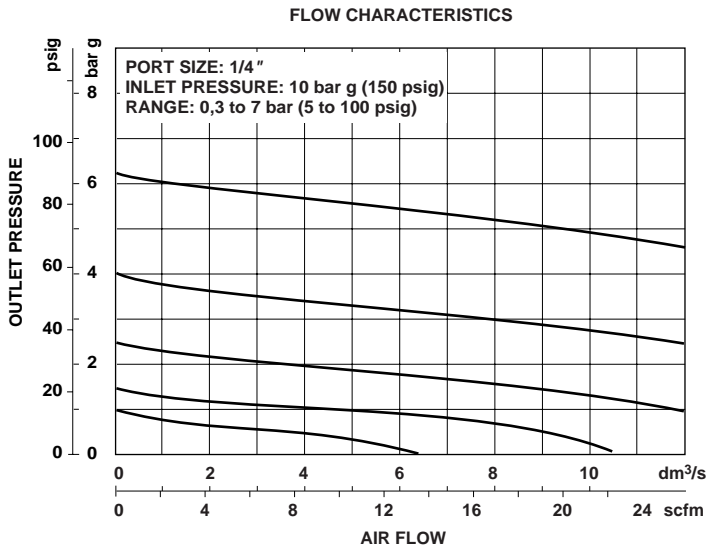
Ordering Information

See *Ordering Information* on the following pages.

ISO Symbols




Typical Performance Characteristics



Ordering Information. Models listed include ISO G threads, relieving diaphragm, 0,3 to 7 bar (5 to 100 psig) outlet pressure adjustment range* without gauge.

Port Size	Model Number	Flow† dm³/s (scfm)	Weight kg (lbs)
G1/8	R07-100-RNKG	6,5 (14)	0,19 (0.31)
G1/4	R07-200-RNKG	7 (15)	0,19 (0.31)

† Approximate flow at 7 bar (100 psig) inlet pressure, 6.3 bar (90 psig) set pressure and a droop of 1 bar (14.5 psig) from set.

Alternative Models

R 0 7 - ★ ★ ★ - ★ ★ ★ ★

Port Size	Substitute
1/8"	1
1/4"	2

Option	Substitute
Not applicable	0

Option	Substitute
Standard	0
Low flow seat	2
H.P. unit, 10 bar (150 psig)	5**

Threads	Substitute
PTF	A
ISO Rc taper	B
ISO G parallel	G

Outlet Pressure Adjustment Ranges*	Substitute
0,1 to 0,7 bar (1 to 10 psig)	A
0,3 to 3,5 bar (5 to 50 psig)	E
0,3 to 7 bar (5 to 100 psig)	K
0,3 to 10 bar (5 to 150 psig)	M**

Gauges	Substitute
With	G
Without	N

Diaphragm	Substitute
Relieving	R
Non relieving	N

* Outlet pressure can be adjusted to pressures in excess of, and less than, those specified. Do not use these units to control pressures outside of the specified ranges.

** When specifying 10 bar (150 psig) unit, eg. R07-205-RNMG, also note correct code at 6th digit.

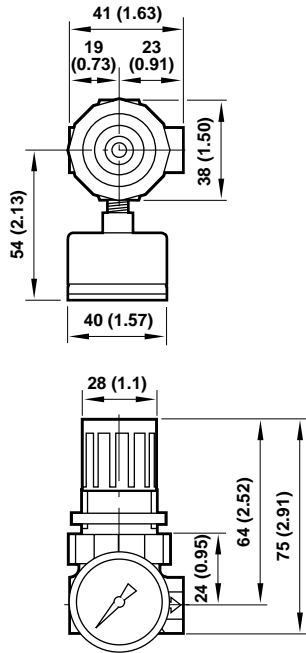
Accessories

Wall Mounting Bracket and Panel Nut for P1H Unit	Panel Nut	Tamper Resistant Field Modification	Ø 40 mm Pressure Gauge	R1/8 Connection	1/8" PTF Connection
Plastic: 18-025-003	Plastic: 2962-89 Metal: 2962-04	Knob and screw: 18-001-092 Screw only: 6097-08	2 bar (30 psig): 4 bar (60 psig): 10 bar (150 psig): 25 bar (350 psig):	— 18-013-990 18-013-989 18-013-908	18-013-214 18-013-211 18-013-212 —



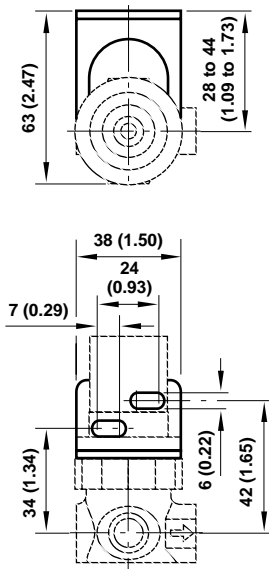
Dimensions mm (inches)

Panel mounting hole diameter 30 mm (1.19")
 Maximum panel thickness 0 to 6 mm (0 to 0.25")



Bracket Mounting

Use 3 mm (1/8") screws to mount bracket to wall.



Bracket Kit Reference

Item	Part Number
All models	18-025-003

Service Kits

Item	Type	Part number
Service kit	Relieving	3407-02
	Non relieving	3407-01

Service kit includes slip ring, diaphragm, standard valve seat with o-ring, valve, valve spring.



Warning

These products are intended for use in industrial compressed air systems only. Do not use these products where *pressures* and *temperatures* can exceed those listed under '**Technical Data**'.

Before using these products with fluids other than those specified, for non-industrial applications, life-support systems, or other applications not within published specifications, consult NORGREN.

Through misuse, age, or malfunction, components used in fluid power systems can fail in various modes. The system designer is warned to consider the failure modes of all component parts used in fluid power systems and to provide adequate safeguards to prevent personal injury or damage to equipment in the event of such failure.

System designers must provide a warning to end users in the system instructional manual if protection against a failure mode cannot be adequately provided.

System designers and end users are cautioned to review specific warnings found in instruction sheets packed and shipped with these products.

Water vapor will pass through these units and will condense into liquid if air temperature drops in the downstream system. Install an air dryer if water condensation could have a detrimental effect on the application.

X-ON Electronics

Largest Supplier of Electrical and Electronic Components

Click to view similar products for [Other Tools](#) category:

Click to view products by [Norgren](#) manufacturer:

Other Similar products are found below :

[CR-05FL7--150R](#) [CR-05FL7--698K](#) [899-2-KT46](#) [899-5-KT46](#) [CR-0AFL4--332K](#) [CR-12FP4--260R](#) [CRCW04021100FRT7](#)
[CRCW04021961FRT7](#) [5800-0090](#) [CRCW04024021FRT7](#) [CRCW040254R9FRT7](#) [CRCW0603102JRT5](#) [59065-5](#) [00-8273-RDPP](#) [00-8729-](#)
[WHPP](#) [593033](#) [593058](#) [593072](#) [593564100](#) [593575](#) [593591](#) [593593](#) [011349-000](#) [LTLA506SBLAMNBL](#) [CRCW08052740FRT1](#) [LUC-](#)
[012S070DSM](#) [LUC-018S070DSP](#) [599-2021-3-NME](#) [599-JJ-2021-03](#) [00-5080-YWPP](#) [5E4750/01-20R0-T/R](#) [LW1A-L1-GL](#) [LW1A-P1-GD](#)
[LW1L-A1C10V-GL](#) [LW1L-M1C70-A](#) [0202-0173](#) [00-9089-RDPP](#) [00-9300-RDPP](#) [CRCW2010331JR02](#) [01-1003W-8/32-10](#) [601-GP-08-](#)
[KT39](#) [601-JJ-06](#) [601-SPB](#) [601YSY](#) [602-JJ-03](#) [602SPB](#) [602Z](#) [603-JJ-07-FP](#) [603-JJY-04](#) [604J](#)