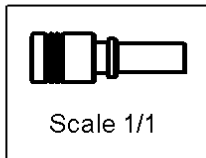
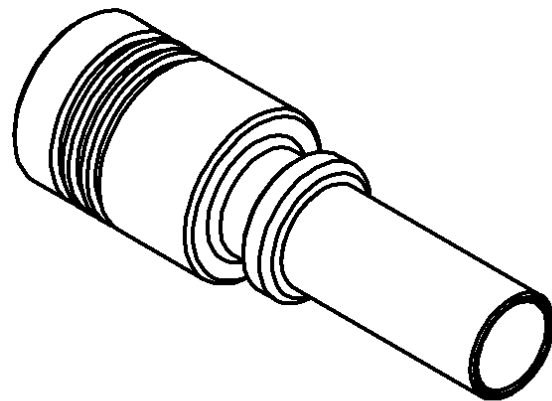
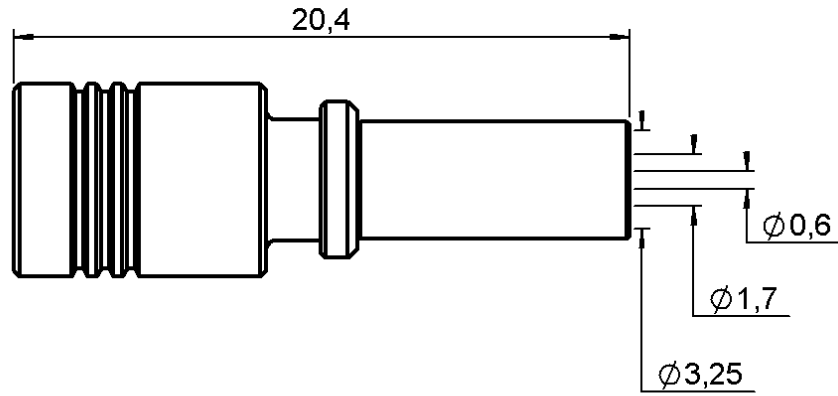


STRAIGHT PLUG CRIMP TYPE

R114.082.020

CABLE 2.6/50+75 S

Series : SMB



All dimensions are in mm.



COMPONENTS	MATERIALS	PLATINGS (µm)
BODY	BRASS	NICKEL 2
CENTER CONTACT	BERYLLIUM COPPER	GOLD 0.5 OVER NICKEL 2
OUTER CONTACT	BERYLLIUM COPPER	NICKEL 2
INSULATOR	PTFE	
GASKET	-	
OTHERS PARTS	BRASS	NICKEL 2
-	-	-
-	-	-

Issue : 0210 B

In the effort to improve our products, we reserve the right to make changes judged to be necessary.



STRAIGHT PLUG CRIMP TYPE

R114.082.020

CABLE 2.6/50+75 S

Series : **SMB**

PACKAGING

Standard	Unit	Other
100	'W' option	Contact us

SPECIFICATION

ELECTRICAL CHARACTERISTICS

Impedance		50 Ω
Frequency		0-4 GHz
VSWR	1.25 +	0.040 x F(GHz) Maxi
Insertion loss		0.25 √F(GHz) dB Maxi
RF leakage	- (57 - F(GHz)) dB Maxi
Voltage rating		335 Veff Maxi
Dielectric withstanding voltage		1000 Veff mini
Insulation resistance		1000 MΩ mini

CABLE ASSEMBLY

Stripping	a	b	c	d	e	f
mm	2.50	5.40	11.0	0.00	8.50	0.00

Assembly instruction : **Crimp 01**

Recommended cable(s)
 RG 316
 KX 22A
 RG 188
 RG 179
 RG 187

Cable retention
 - pull off **110** N mini
 - torque **3.9** N.cm

MECHANICAL CHARACTERISTICS

Center contact retention		
Axial force – Mating end	10	N mini
Axial force – Opposite end	10	N mini
Torque	NA	N.cm mini

TOOLING

Part Number	Description	Hexagon
.	.	.
R282.211.000	CRIMPING TOOL	3.25
R282.235.003	CRIMPING DIES	3.25
R282.281.000	CRIMPING TOOL	2x4(pos.3- >50 pos.1- >75)
R282.293.000	CRIMPING TOOL	-
R282.983.000	POSITONER FOR CRIMPING TOOL	-

Recommended torque		
Mating	NA	N.cm
Panel nut	NA	N.cm
Clamp nut	NA	N.cm
A/F clamp nut	0.000	mm

Mating life	500	Cycles mini
Weight	2.000	g

ENVIRONMENTAL

Operating temperature	-65/+165	° C
Hermetic seal	NA	Atm.cm3/s
Panel leakage	NA	

OTHERS CHARACTERISTICS

Issue : **0210 B**

In the effort to improve our products, we reserve the right to make changes judged to be necessary.



X-ON Electronics

Largest Supplier of Electrical and Electronic Components

Click to view similar products for [radiall](#) manufacturer:

Other Similar products are found below :

[F760858219](#) [R296701967](#) [8959-1511-004](#) [5919-1503-000](#) [5938-1503-000](#) [7101-1541-010](#) [7105-1561-010](#) [MD11-035](#) [81-6201-0450](#) [9074-9513-000](#) [9620-9003-151](#) [R113425097](#) [R114305000W](#) [R124075210](#) [R125055000](#) [R125512000W](#) [R141154000W](#) [R141572000](#) [R143012000](#) [R143235161W](#) [R166268000](#) [R176019000](#) [R191841001W](#) [R282102000](#) [R282744220](#) [R282918120](#) [R404770000](#) [R414430150](#) [R414520150](#) [R433514700](#) [R570022105](#) [R570123005](#) [R570363010](#) [R570442000](#) [R570E52010](#) [R574402410](#) [R577443000](#) [R585423230](#) [R114425000](#) [R124510000](#) [R125052500](#) [R125320020W](#) [R127.870.001](#) [R141331500W](#) [R162017000W](#) [R176404000](#) [R191970091](#) [R213665000](#) [R282120010](#) [R282750000](#)