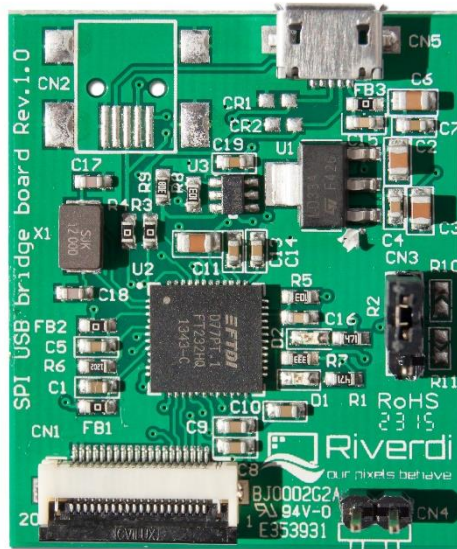




Hermes Board

User Manual

Rev.1.0
2015-08-25



Introduction

Hermes board is an accessory board which is used to communicate with SPI Interface device via USB cable. It allows you the work directly from your PC.

REVISION RECORD

REVNO.	REVDATE	CONTENTS	REMARKS
1.0	2015-08-25	Preliminary edition	

CONTENTS

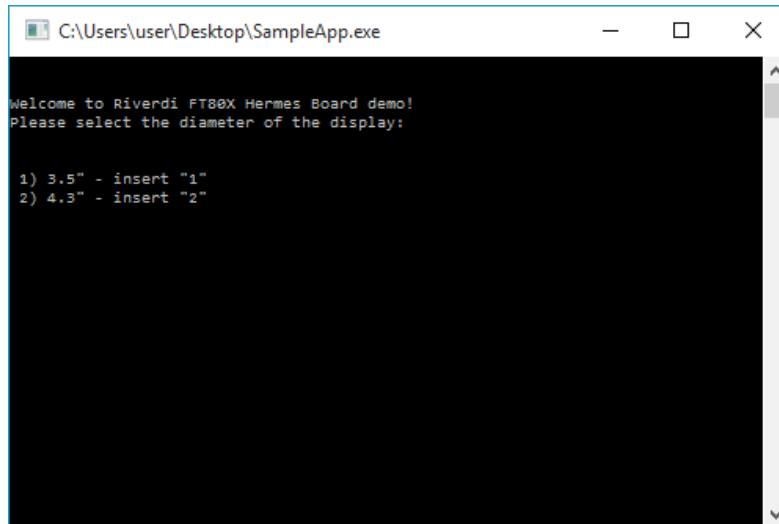
REVISION RECORD.....	2
CONTENTS	2
1. QUICK START GUIDE.....	3
2. DETAILED BOARD DESCRIPTION	3
3. BACKLIGHT SOURCE SELECT	4
4. REFERENCES	4
5. ELECTRICAL SCHEMATIC.....	5
7. MECHANICAL DRAWING	6
8. LEGAL INFORMATION.....	7

1. QUICK START GUIDE

Connect TFT module via CN1 ZIF0520DH connector. Select backlight power supply on CN3. Connect Hermes Board to PC. Install Virtual COM Port drivers for FT232H. Drivers are available on FTDI webpage: <http://www.ftdichip.com/Drivers/VCP.htm>.

Launch Riverdi demo application. Select proper display.

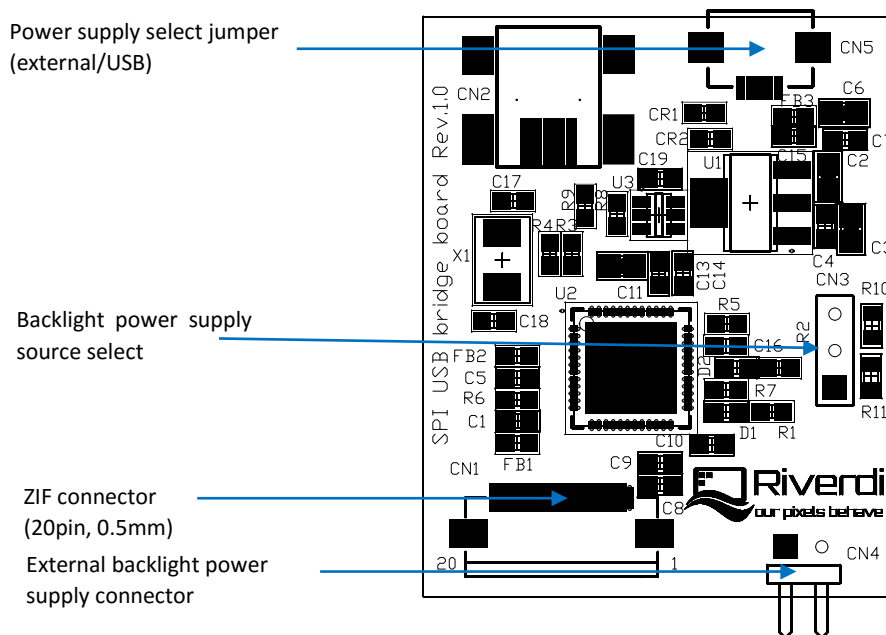
Figure 1. Riverdi demo application



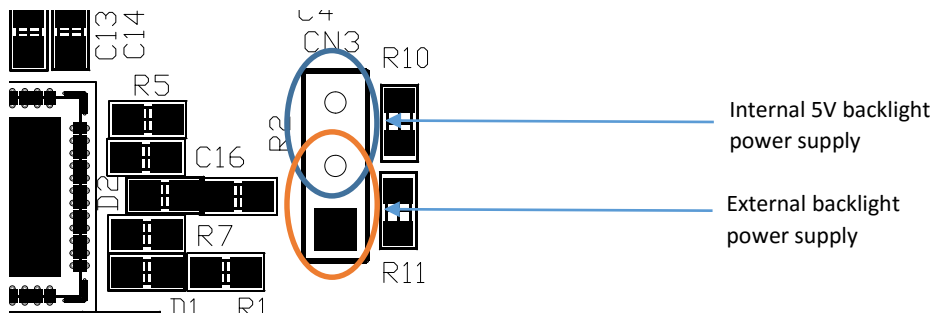
2. DETAILED BOARD DESCRIPTION

Hermes Board is designed to allow you control Riverdi TFT displays with FT8XX controllers via USB. It allows to develop customer application without hardware designing.

Figure 2. Board layout



3. BACKLIGHT SOURCE SELECT

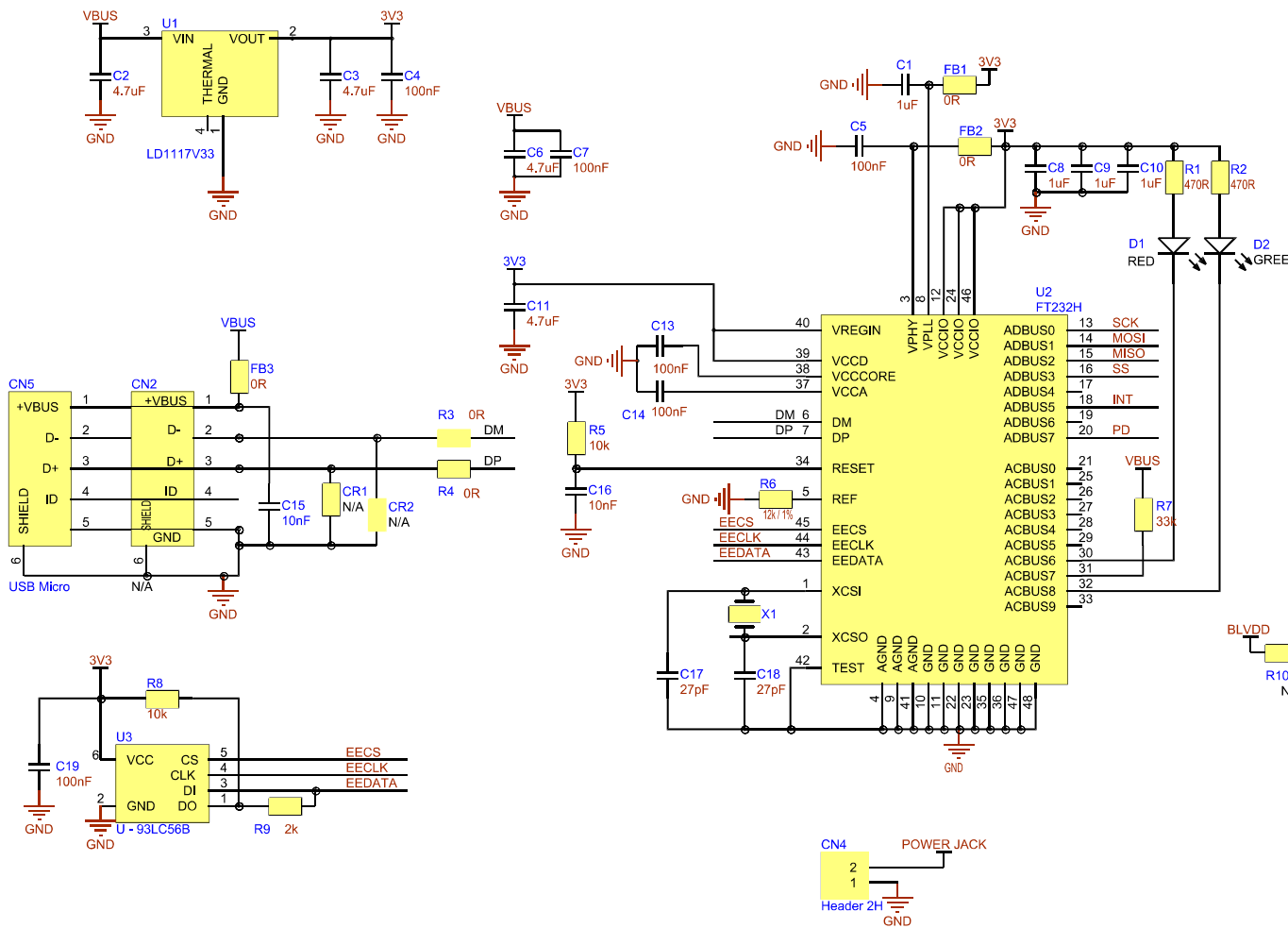


NOTE: If using external backlight power supply, check maximum backlight power supply for each TFT module.

4. REFERENCES

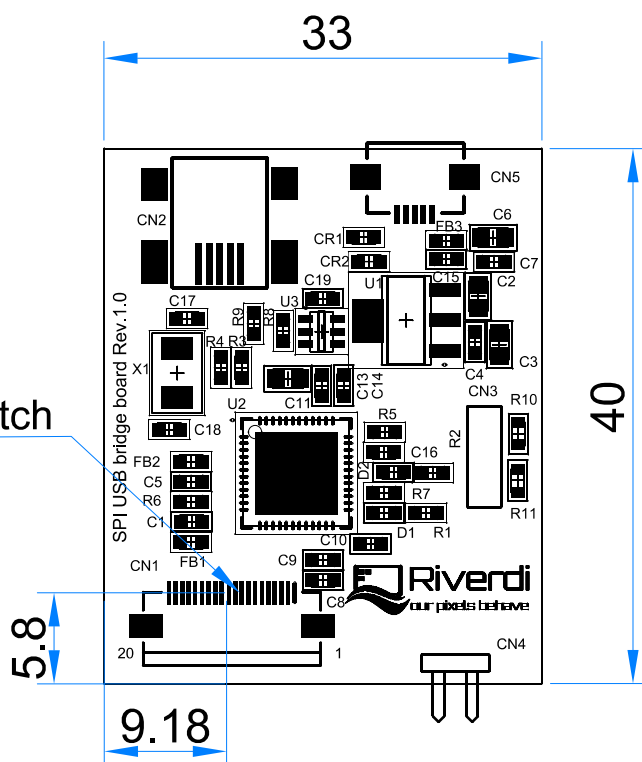
Visit www.riverdi.com/hermes to download sample applications.

5. ELECTRICAL SCHEMATIC



7. MECHANICAL DRAWING

ZIF 20pin, 0.5mm pitch
Down-side



8. LEGAL INFORMATION

Riverdi makes no warranty, either expressed or implied with respect to any product, and specifically disclaims all other warranties, including, without limitation, warranties for merchantability, non-infringement and fitness for any particular purpose. Information about device are the property of Riverdi and may be the subject of patents pending or granted. It is not allowed to copy or disclosed this document without prior written permission.

Riverdi endeavors to ensure that the all contained information in this document are correct but does not accept liability for any error or omission. Riverdi products are in developing process and published information may be not up to date. Riverdi reserves the right to update and makes changes to Specifications or written material without prior notice at any time. It is important to check the current position with Riverdi.

Images and graphics used in this document are only for illustrative the purpose. All images and graphics are possible to be displayed on the range products of Riverdi, however the quality may vary. Riverdi is no liable to the buyer or to any third part for any indirect, incidental, special, consequential, punitive or exemplary damages (including without limitation lost profits, lost savings, or loss of business opportunity) relating to any product, service provided or to be provided by Riverdi, or the use or inability to use the same, even if Riverdi has been advised of the possibility of such damages.

Riverdi products are not fault tolerant nor designed, manufactured or intended for use or resale as on line control equipment in hazardous environments requiring fail – safe performance, such as in the operation of nuclear facilities, aircraft navigation or communication systems, air traffic control, direct life support machines or weapons systems in which the failure of the product could lead directly to death, personal injury or severe physical or environmental damage ('High Risk Activities'). Riverdi and its suppliers specifically disclaim any expressed or implied warranty of fitness for High Risk Activities. Using Riverdi products and devices in 'High Risk Activities' and in any other application is entirely at the buyer's risk, and the buyer agrees to defend, indemnify and hold harmless Riverdi from any and all damages, claims or expenses resulting from such use. No licenses are conveyed, implicitly or otherwise, under any Riverdi intellectual property rights.



X-ON Electronics

Largest Supplier of Electrical and Electronic Components

Click to view similar products for [Modules Accessories](#) category:

Click to view products by [Riverdi](#) manufacturer:

Other Similar products are found below :

[7010-0001](#) [F1UL16RISER2](#) [PEX-CABLEAD-KIT-8732](#) [AX98219](#) [iRIS-1010-R10](#) [A1UL8RISER](#) [F1UJPMICRISER](#) [FHW1U16RISER](#) [20-101-0440](#) [MBCDROM](#) [AX61221TM](#) [VM-105](#) [1000-PM](#) [76000958](#) [XPC100A002-01-B](#) [690-1002](#) [96HD500G-ST-WD7KE](#) [AMO-R022E](#) [RK-210E-B](#) [cPCIS-6400UA/AC](#) [E226171106](#) [AX60501WB](#) [88606200030E](#) [96RACK-3-SS-CR-B1](#) [UTC-300P-M10E](#) [UNO-2000G-VMKAE](#) [SI-HDMI-EDID-EM](#) [96HD3T-ST-SG7K](#) [AMO-I013E](#) [S10A-93-S10A6-001](#) [PWS-870-UCOVER00E](#) [PWS-770-VMOUNT00E](#) [PWS-870-CHDC00E](#) [MIT-W101-ACCDSW01E](#) [MIC-75M40-00A1E](#) [MIC-75M13-00A1E](#) [FPM-1000T-SMKE](#) [ASMB-FF404-04A1E](#) [AMK-V008E](#) [AMK-V005E](#) [AMK-R004E](#) [9896025601E](#) [96HD1TB-ST-WD7KE1](#) [96FMCF-ST2ADAPTER1](#) [9680015843](#) [1960030475S200](#) [1931031500](#) [AHWKPTP12GBGB](#) [850-13106](#) [P4304XXMUXX](#)