

# Level switch CPW-3M with time and sensitivity adjustment



www.mikrobest.pl

## Relay for monitoring levels in wells, basins, tanks...



### General characteristics

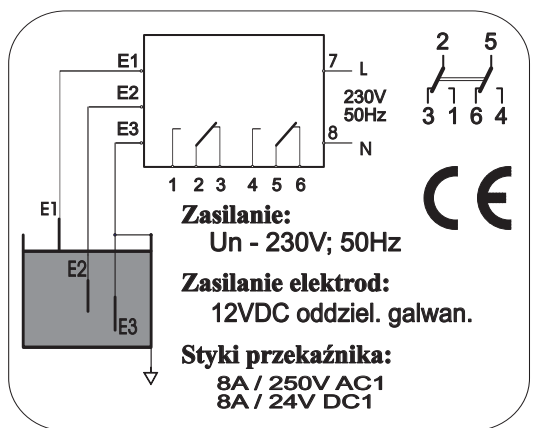
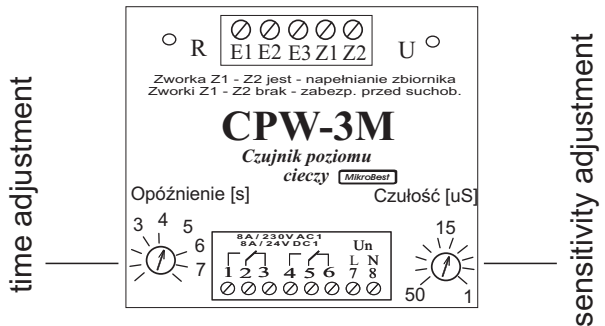
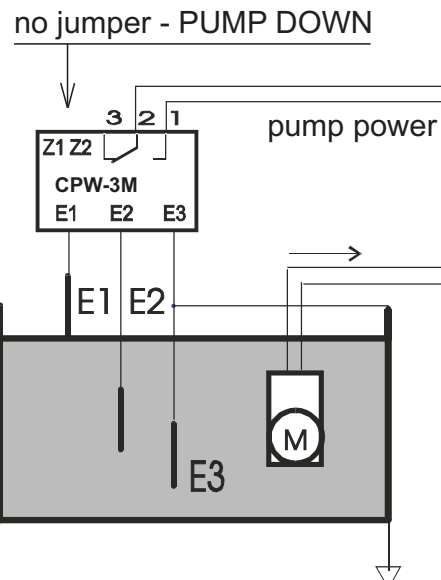
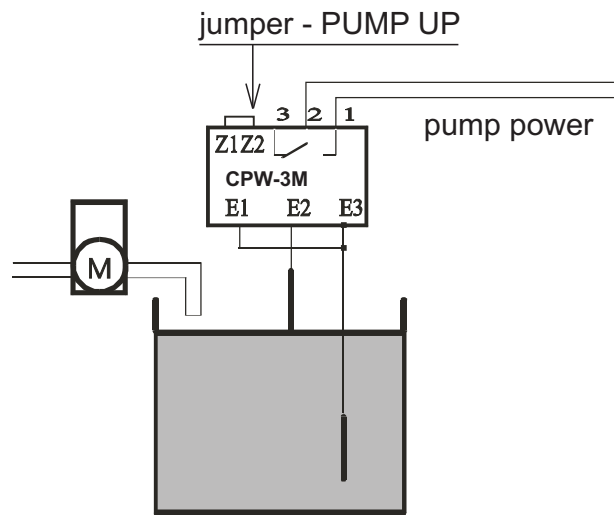
- Electronic relay for monitoring level of liquid
- 1 relay output with 2 changeover contacts (DPDT)
- Green LED for relay state
- Red LED for supply voltage
- Choice of function PUMP UP / PUMP DOWN
- Modular housing; rail 35mm mounting
- Time and sensitivity adjustment

### Technical parameters

Supply terminals:	230 V; 50Hz
Consumption:	max 3VA
Current rating:	8A/250V AC1 8A/24V DC1
Protection degree:	IP40
Dimensions:	95 x 60 x 54mm

## Function

Relay is designated for monitoring of levels of conductive liquids with possibility of functions PUMP UP and PUMP DOWN. For measuring use three measuring probes: E1 - upper level; E2 - lower level and E3 - common probe. In case you use a tank made of a conductive material, you can use it as a probe E3. CPW-2zC is designated to monitoring liquids with sensitivity like water.



## X-ON Electronics

Largest Supplier of Electrical and Electronic Components

*Click to view similar products for [General Purpose Relays](#) category:*

*Click to view products by [Mikrobest](#) manufacturer:*

Other Similar products are found below :

[APF30318](#) [JVN1AF-4.5V-F](#) [PCN-105D3MHZ](#) [5JO-10000S-SIL](#) [5JO-1000CD-SIL](#) [5JO-400CD-SIL](#) [LY2S-AC220/240](#) [LYQ20DC12](#)  
[6031007G](#) [6131406HQ](#) [6-1393099-3](#) [6-1393099-8](#) [6-1393122-4](#) [6-1393123-2](#) [6-1393767-1](#) [6-1393843-7](#) [6-1415012-1](#) [6-1419102-2](#) [6-1423698-4](#) [6-1608051-6](#) [6-1608067-0](#) [6-1616170-6](#) [6-1616248-2](#) [6-1616282-3](#) [6-1616348-2](#) [6-1616350-1](#) [6-1616350-8](#) [6-1616358-7](#) [6-1616359-9](#) [6-1616360-9](#) [6-1616931-6](#) [6-1617039-1](#) [6-1617052-1](#) [6-1617090-2](#) [6-1617090-5](#) [6-1617347-5](#) [6-1617353-3](#) [6-1617801-8](#) [6-1617802-2](#) [6-1618107-9](#) [6-1618248-4](#) [M83536/1-027M](#) [CX-4014](#) [MAHC-5494](#) [MAVCD-5419-6](#) [703XCX-120A](#) [7-1393100-5](#) [7-1393111-7](#)  
[7-1393144-5](#) [7-1393767-8](#)