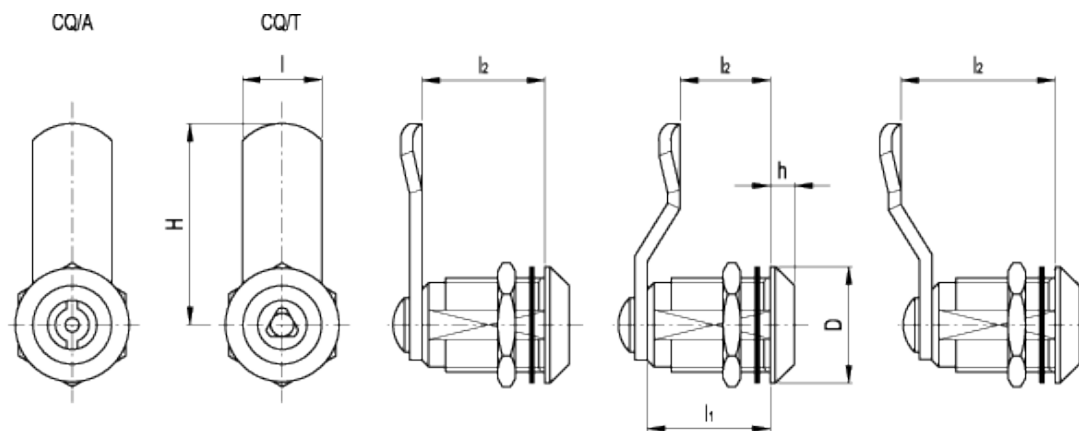


# CQ.

Latches with recessed key



## technical informations

### Stator and rotor

Nickel-plated zinc alloy.

### Nut

Brass (M19x1 or M22x 1.5).

### Shaped closing lever

Zinc-plated steel, thicknesses:

- 2.5 mm (for nut M19x1)
- 3 mm (for nut M22x1.5).

### Spring washer

Zinc-plated steel.

### Sealing washer

- PVC (for nut M19x1)
- SBR rubber (for nut M22x1.5).

### Screw

Zinc-plated steel (M5x8).

### Key

Polyamide based (PA) technopolymer.

### Rotation

90°.

### IP protection

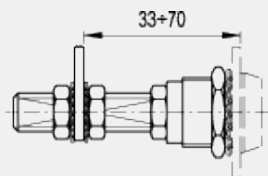
IP 65 protection class, according to [IEC 529 table](#).

### Standard executions available

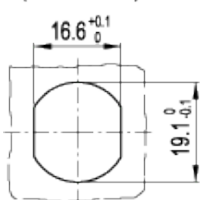
- CQ/A: mark for two-wings key.
- CQ/T: mark for triangular key.

### Special executions and accessories (For sufficient quantities)

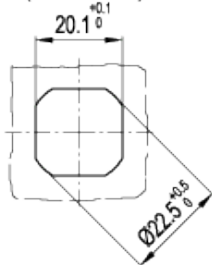
- Closing levers in other dimensions.
- Brass threaded extension for prolonged positioning of the lever (code 421137 description C.PQ M5/58).



Drilling template  
(for stator M19)



Drilling template  
(for stator M22)



Standard Elements				Main dimensions						Weight
Code	Description	Code	Description	H	l <sub>2</sub>	D	h	l	l <sub>1</sub>	g
421301	CQ/A-M19x1-36-20	421341	CQ/T-M19x1-36-20	35.5	20	22	4	16	20	73
421303	CQ/A-M19x1-36-25	421343	CQ/T-M19x1-36-25	35.5	25	22	4	16	20	75
421305	CQ/A-M19x1-36-30	421345	CQ/T-M19x1-36-30	35.5	30	22	4	16	20	79
421307	CQ/A-M19x1-36-35	421347	CQ/T-M19x1-36-35	35.5	35	22	4	16	20	83
421313	CQ/A-M22x1.5-45-16	421353	CQ/T-M22x1.5-45-16	45	16	28	4	20	20	85
421315	CQ/A-M22x1.5-45-18	421355	CQ/T-M22x1.5-45-18	45	18	28	4	20	20	87
421311	CQ/A-M22x1.5-45-20	421351	CQ/T-M22x1.5-45-20	45	20	28	4	20	20	83
421317	CQ/A-M22x1.5-45-24	421357	CQ/T-M22x1.5-45-24	45	24	28	4	20	20	91
421319	CQ/A-M22x1.5-45-28	421359	CQ/T-M22x1.5-45-28	45	28	28	4	20	20	93
421321	CQ/A-M22x1.5-45-30	421361	CQ/T-M22x1.5-45-30	45	30	28	4	20	20	94

421323	CQ/A-M22x1.5-45-32	421363	CQ/T-M22x1.5-45-32	45	32	28	4	20	20	95
--------	--------------------	--------	--------------------	----	----	----	---	----	----	----

---



ELESA and GANTER models all rights reserved in accordance with the law. Always mention the source when reproducing our drawings.

**STANDARD MACHINE ELEMENTS WORLDWIDE**

## X-ON Electronics

Largest Supplier of Electrical and Electronic Components

*Click to view similar products for [Latches category](#):*

*Click to view products by [Elesa & Ganter manufacturer](#):*

Other Similar products are found below :

[M38510/75403BSA](#) [634674X](#) [634752C](#) [ML4875CS-5](#) [54FCT573ATDB](#) [401639B](#) [027063C](#) [029314R](#) [54FCT573CTLB](#) [NLV14043BDR2G](#)  
[716165RB](#) [74F373DW](#) [74LVC373ADTR2G](#) [74LVC573ADTR2G](#) [NL17SG373DFT2G](#) [NLV14044BDG](#) [5962-8863901RA](#) [5962-88639012A](#)  
[2.PM30.006-30](#) [MIC59P50YV](#) [NLV14042BDR2G](#) [4.401.001](#) [NLV14044BDR2G](#) [2.L18.001-21](#) [2.PM18.002-18](#) [2.PM18.006-18](#) [2.T18.001-](#)  
[21](#) [2.T18.002-18](#) [2.T18.006-18](#) [CQ/AA-KEY](#) [CQ/A-M22X1,5-45-28](#) [M22-2-D5-2-21-01-P](#) [CY74FCT2373CTSOC](#) [421283](#)  
[74ALVCH16260PAG](#) [74FCT373CTQG](#) [MM74HC373WM](#) [MM74HC573MTCX](#) [MM74HC573WM](#) [74LCX373MTC](#) [74LVT16373MTDX](#)  
[74VHC373MX](#) [KLD5.001-02](#) [KLT9.001-02](#) [Z-0233-827-15](#) [74AHCT573D.112](#) [74FCT16373CTPVG8](#) [74FCT573ATQG](#)  
[74LCX16373MTDX](#) [CQ/A-M22X1,5-45-16](#)