

main menuue



- home
- test & measurement
- products
- skills
- download

online catalogue T&M

- clamp-type test probes
- crocodile clips
- test probes
- oscilloscope test probes
- measuring leads
- plugs
- sockets
 - ▶ 2 mm system
 - ▶ 2 mm safety system
 - ▶ 4 mm system
 - ▶ 4 mm safety system
- sets
- miscellaneous

company

- portrait
- corporate association
- location maps
- fairs and exhibitions
- jobs
- imprint
- terms and conditions

Home ▶ sockets ▶ sockets ▶ MBI 1

MBI 1

datasheet for MBI 1
article number: 930308102



[View Full-Size Image](#)



search online catalogue

Search

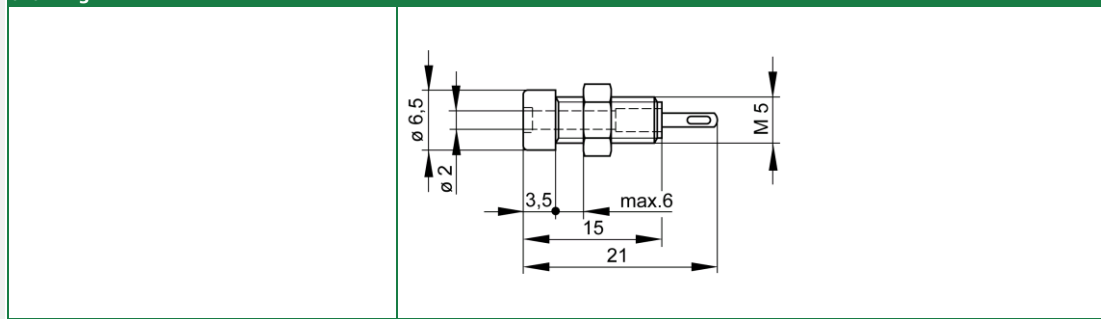
Messetermine

SPS/IPC/DRIVES
24. 11. 2015 - 26. 11. 2015

QR-Code



product description:		order number: 930 308-102
description:	2 mm diameter miniature socket, insulated, tin-plated copper beryllium contact (spring-loaded), with solder connection. Suitable for installation in equipment chassis and switch panels up to a maximum wall thickness of 5 mm.	
typ:	MBI 1 blau/blue	
system:	2mm system	
order number:	930 308-102	
color		
other color versions:		
technical data		
measurement category acc. to IEC 61010:	CAT I	
type of contact:	2 mm socket (spring-loaded)	
type of termination:	solder	
rated voltage:	30 VAC / 60 VDC	
rated current:	6 A	
Please consider derating curve!		
contact resistance:	10 mOhm	
mounting:	screw	
material		
contact material:	contact spring: copper - beryllium	
contact surface material:	tin	
housing material:	PA	
connecting nut material:	brass nickel - plated	
environmental conditions:		
temperature range:	-20 °C to +60 °C	



X-ON Electronics

Largest Supplier of Electrical and Electronic Components

Click to view similar products for [Circuit Board Hardware - PCB category](#):

Click to view products by [SKS Kontakttechnik manufacturer](#):

Other Similar products are found below :

[8919-0-00-15-00-00-03-0](#) [0132-0-15-01-30-27-04-0](#) [0135-0-15-01-30-27-04-0](#) [5970-1-15-01-32-14-04-0](#) [0132-0-15-15-30-27-04-0](#) [0135-0-15-15-30-27-04-0](#) [0149-0-15-15-30-27-04-0](#) [MBI 1 BLUE](#) [7305-0-15-15-47-14-10-0](#) [MKU 1 BLACK](#) [MLN 150/1 BLACK](#) [8579-0-15-80-11-27-10-0](#) [8579-1-15-15-11-27-10-0](#) [8637-0-15-15-21-14-10-0](#) [8830-0-15-01-22-14-10-0](#) [8836-0-00-21-00-00-03-0](#) [PRUEF 2 RED](#) [9976-0-00-00-00-00-03-0](#) [1178-0-01-80-00-00-03-0](#) [PW1616](#) [1215-3-05-00-00-00-01-0](#) [1303-0-15-15-47-14-04-0](#) [1404-3](#) [1404-4](#) [1406-4](#) [1407-3](#) [1406-3](#) [1407-4](#) [1408-3](#) [1424-4](#) [1426-3](#) [1427-3](#) [1427-4](#) [1428-3](#) [1419-4](#) [1424-3](#) [1426-4](#) [1428-4](#) [MPS 1 BLACK](#) [1520150-1](#) [1548-103](#) [1801-0-15-15-30-27-04-0](#) [1938-0-00-00-00-00-03-0](#) [1942-0-00-00-00-00-03-0](#) [2101-3-00-44-00-00-07-0](#) [2104-2-01-44-00-00-07-0](#) [2108-2-00-50-00-00-07-0](#) [2108-3-00-44-00-00-07-0](#) [2109-2-00-44-00-00-07-0](#) [2110-2-00-44-00-00-07-0](#)