

Product Features:

- Gigabit (10/100/1000) Ethernet RJ45
- IEEE802.3ab Compliant
- 350uH min OCL at 8mA DC Bias Across the Full Temp Range
- 30µ" Gold Plating (min) on Contacts
- 100% Compliance Testing
- 1500Vrms Hi-Pot

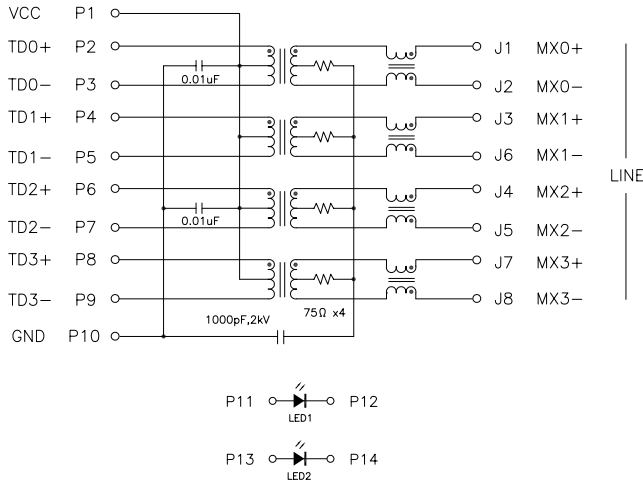
Part Number		Ports	Circuit	LED's (L/R)	Return Loss (min)				PHY Drive
Standard Temp (0 to 70°C)	Extended Temp (-40 to +85°C)				1-40MHz	60MHz	80MHz	100MHz	
HFJ12-1G11ERL	HFJ12-E1G11ERL	2	A	None	-18dB	-14dB	-12dB	-10dB	Current
HFJ12-1G11ER-L11RL	HFJ12-E1G11ER-L11RL	2	A	G/G	-18dB	-14dB	-12dB	-10dB	Current
HFJ12-1G16ERL	HFJ12-E1G16ERL	2	B	None	-18dB	-14dB	-12dB	-10dB	Current
HFJ12-1G16ER-L11RL	HFJ12-E1G16ER-L11RL	2	B	G/G	-18dB	-14dB	-12dB	-10dB	Current
HFJ12-1G41ERL	HFJ12-E1G41ERL	2	C	None	-18dB	-14dB	-12dB	-10dB	Voltage
HFJ12-1G41ER-L11RL	HFJ12-E1G41ER-L11RL	2	C	G/G	-18dB	-14dB	-12dB	-10dB	Voltage
HFJ12-1G46ERL	HFJ12-E1G46ERL	2	D	None	-18dB	-14dB	-12dB	-10dB	Voltage
HFJ12-1G46ER-L11RL	HFJ12-E1G46ER-L11RL	2	D	G/G	-18dB	-14dB	-12dB	-10dB	Voltage
HFJ14-1G11ERL	HFJ14-E1G11ERL	4	A	None	-18dB	-14dB	-12dB	-10dB	Current
HFJ14-1G11ER-L11RL	HFJ14-E1G11ER-L11RL	4	A	G/G	-18dB	-14dB	-12dB	-10dB	Current
HFJ14-1G16ERL	HFJ14-E1G16ERL	4	B	None	-18dB	-14dB	-12dB	-10dB	Current
HFJ14-1G16ER-L11RL	HFJ14-E1G16ER-L11RL	4	B	G/G	-18dB	-14dB	-12dB	-10dB	Current
HFJ14-1G41ERL	HFJ14-E1G41ERL	4	C	None	-18dB	-14dB	-12dB	-10dB	Voltage
HFJ14-1G41ER-L11RL	HFJ14-E1G41ER-L11RL	4	C	G/G	-18dB	-14dB	-12dB	-10dB	Voltage
HFJ14-1G46ERL	HFJ14-E1G46ERL	4	D	None	-18dB	-14dB	-12dB	-10dB	Voltage
HFJ14-1G46ER-L11RL	HFJ14-E1G46ER-L11RL	4	D	G/G	-18dB	-14dB	-12dB	-10dB	Voltage

Notes:

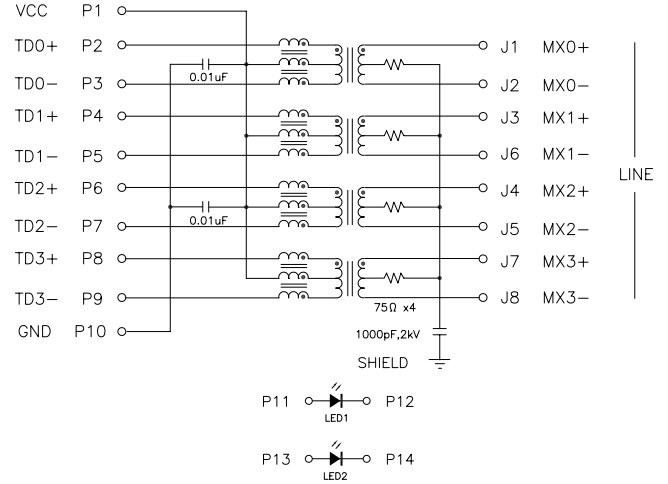
1. LED Key : G = Green
2. Other LED colors, bi-colors, polarities, and current limiting versions available
3. Part specific datasheets available

HALO Gigabit Ethernet Family of FastJacks

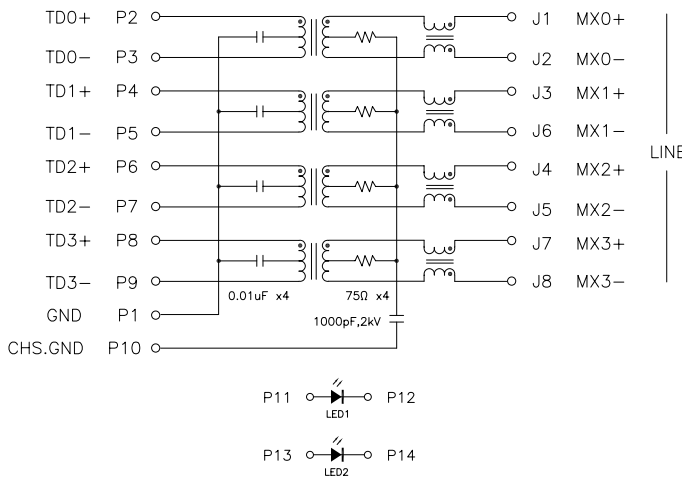
Circuit A



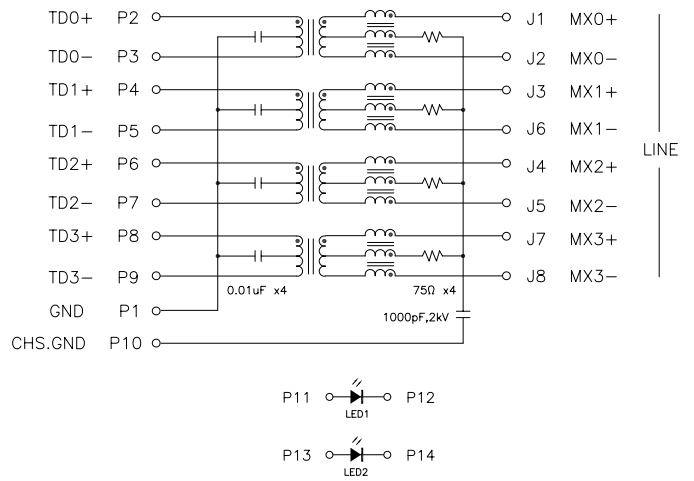
Circuit B



Circuit C

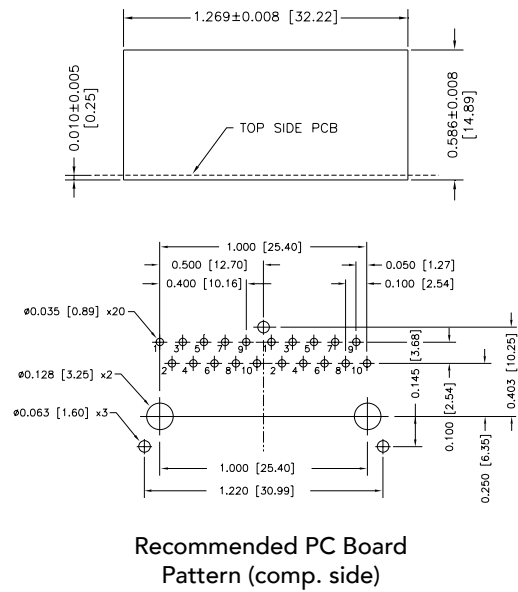
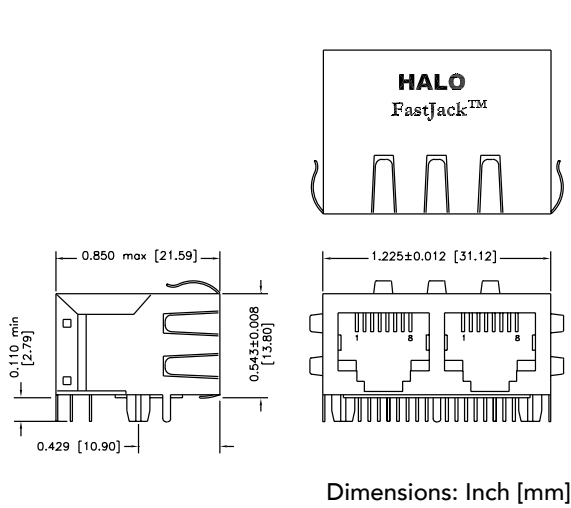


Circuit D

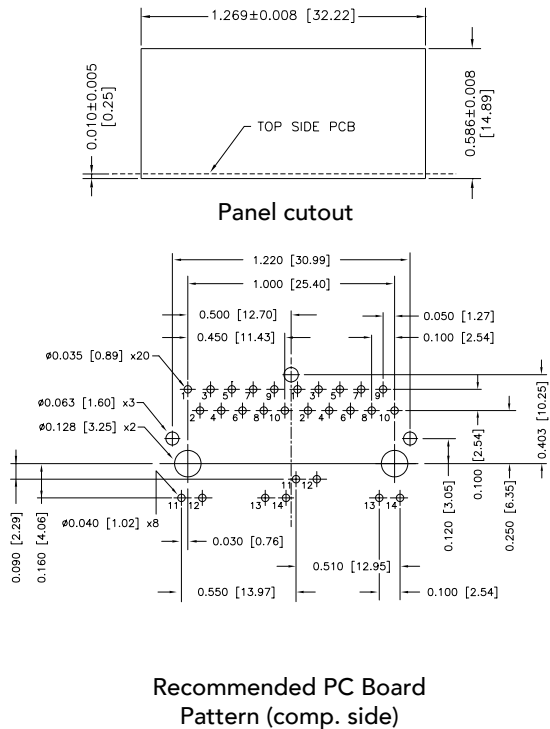
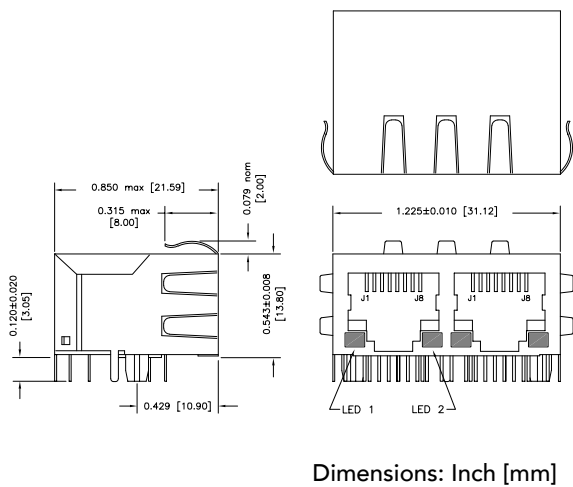


HALO Gigabit Ethernet Family of FastJacks

HFJ12 Mechanical - Without LED's

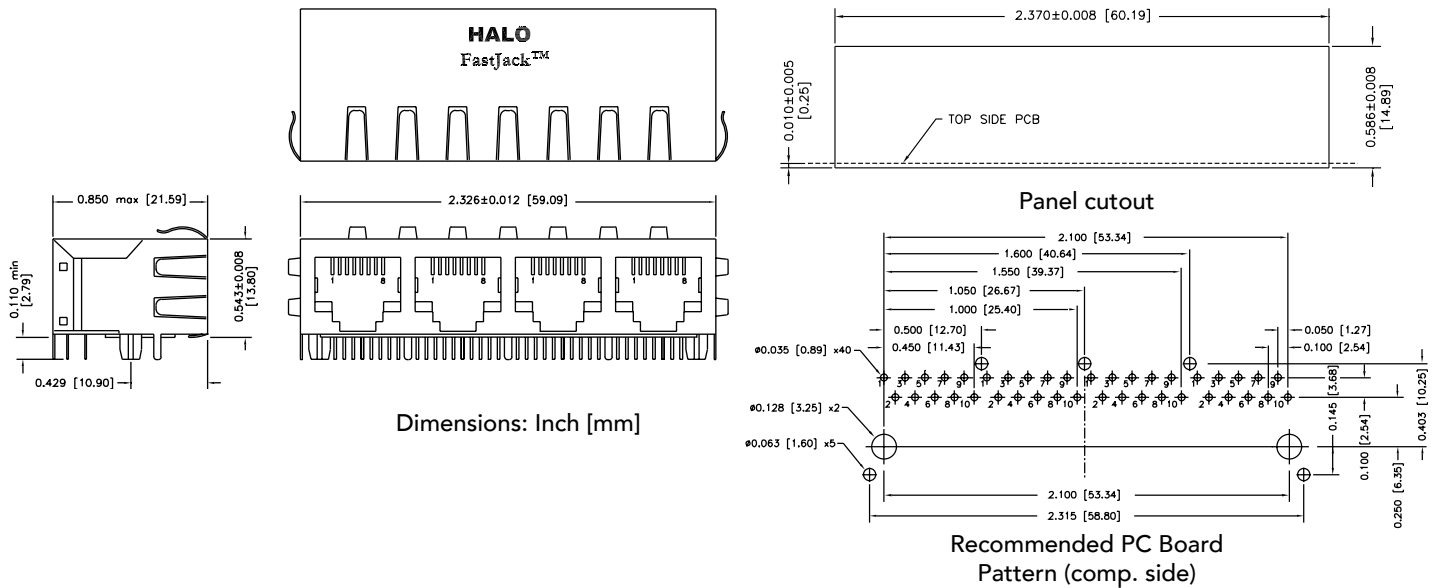


HFJ12 Mechanical - With LED's

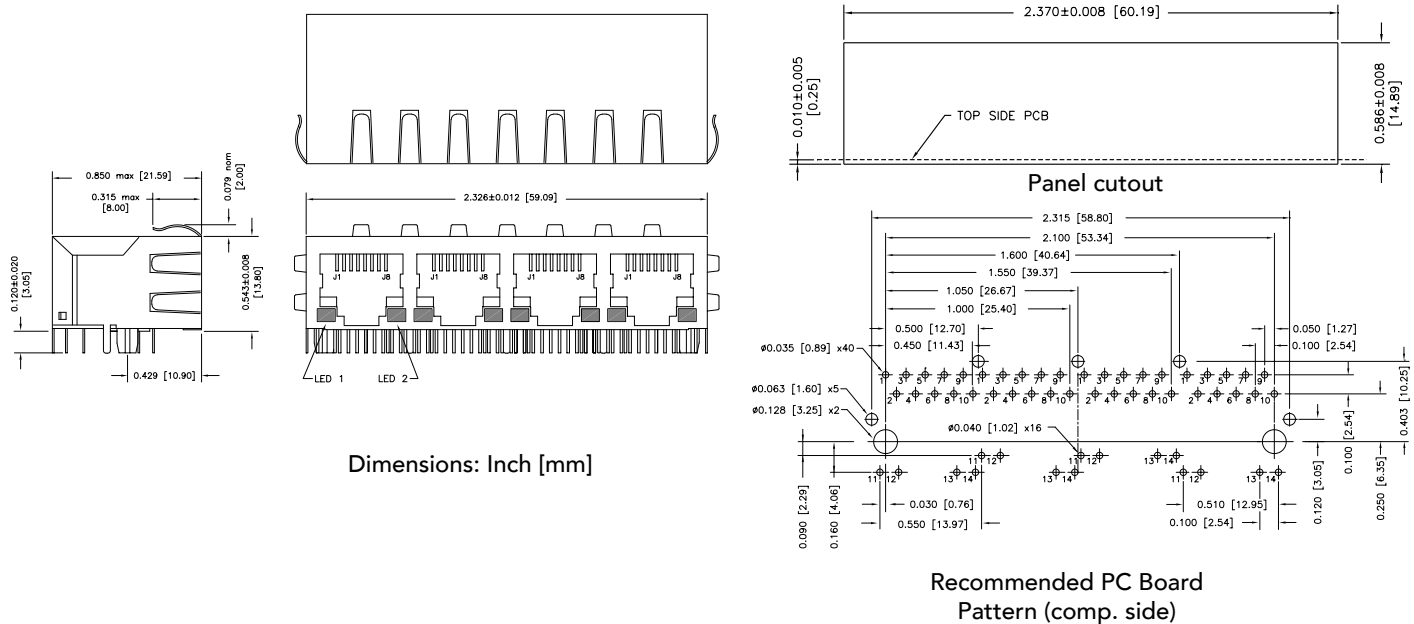


HALO Gigabit Ethernet Family of FastJacks

HFJ14 Mechanical - Without LED's



HFJ14 Mechanical - With LED's



2880 Lakeside Drive #116
 Santa Clara, CA 95054
 (650) 903-3800
www.haloelectronics.com

HALO® Electronics is a leading supplier of high quality communication magnetics including signal transformers, filters, CMR chokes, PoE power transformers, DC/DC converters, and integrated Ethernet connectors. HALO's leading edge technology solutions are manufactured in ISO9001 and ISO14001 factories offering high quality products at a competitive price.

X-ON Electronics

Largest Supplier of Electrical and Electronic Components

Click to view similar products for [Modular Connectors](#) / [Ethernet Connectors](#) category:

Click to view products by [HALO](#) manufacturer:

Other Similar products are found below :

[RJE231881317T](#) [MP1010RX-1000](#) [MP44RX-1000](#) [GAX-3-66](#) [GAX-8-62](#) [93606-0253](#) [GD-A-44](#) [GDCX-PA-66-50](#) [GDCX-PN-64](#) [GDCX-PN-66](#) [GDCX-PN-66-50](#) [GDLX-A-66](#) [GDLX-A-88](#) [GDLX-N-66](#) [GDLX-S-88K](#) [GDTX-S-88-50](#) [GDX-PA-1010](#) [GLX-N-1010M-BLK](#) [GLX-N-44M](#) [GLX-S-88M-BLK](#) [GMX-N-1010](#) [GMX-S-1010](#) [GMX-S-66](#) [GMX-SMT2-N-1010](#) [GMX-SMT2-N-64-50](#) [GMX-SMT2-S6-88](#) [GMX-SMT4-N-88](#) [GPX-2-64](#) [GRT1-BT1-5](#) [GSGX-N-2-88](#) [GSX-NS2-88-3.05](#) [GSX-NS2-88-3.05-50](#) [GSX-NS-88-3.05-30](#) [GSX-NS-88-3.05-50](#) [GSX-NS-88-3.68](#) [1-1775629-2](#) [GWLX-S-88-GR](#) [GWLX-S9-88-YG](#) [1300500326](#) [1300500227](#) [1300530003](#) [1300570002](#) [1324640-4](#) [RJ11FTVC2G](#) [RJ11FTVC2N](#) [RJFTVX2SA1G](#) [132764-001](#) [1400000](#) [1413176](#) [1413235](#)