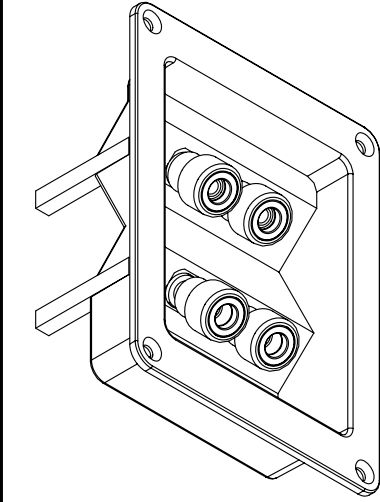


ISS. AMEND DATE

1	1st DRAWN	4/2/99
2	PARTS IDENTIFY	19/5/99
3	RED/BLK SWAP	3/6/99
4	FC7917 ADD	17/8/99
5	NUT ERROR	2/9/99

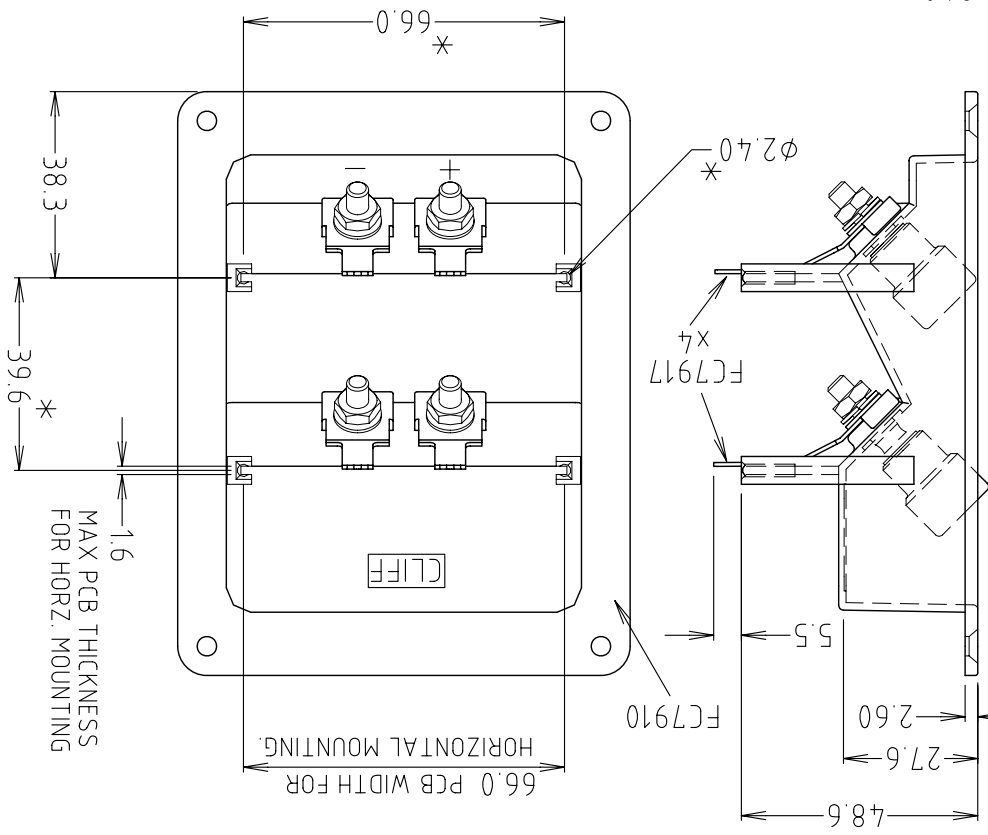


Tolerance
 NO DEC. PLACE ± 0.50
 1 DEC. PLACE ± 0.20
 2 DEC. PLACE ± 0.10
 DIA. HOLES ± 0.10
 ANGLES ± 1/2°
 UNLESS OTHERWISE STATED
 WHERE USED F.R.

SCALE N.T.S.

FORM: A4DRWGH

CLIFF

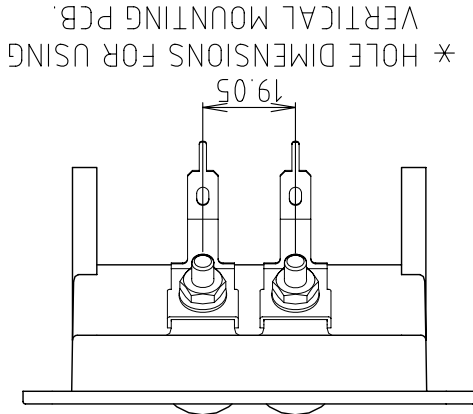
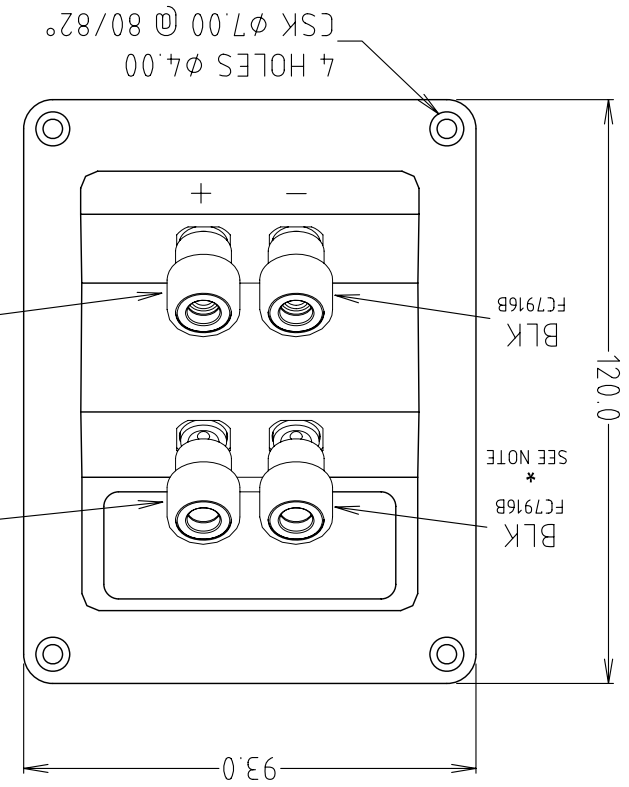
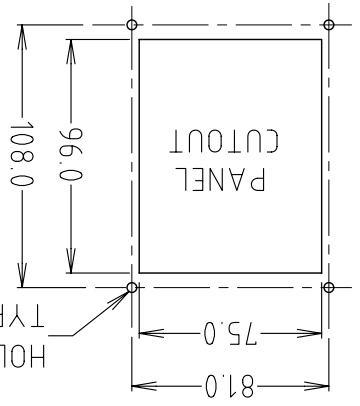


VARIANTS

MODEL	GOLD KNOB	TP/6 KNOB	GOLDEN	P/No.
HFRP-01	•	•		CL2150Y
HFRP-01B	•		•	CL2151Y
HFRP-02		•	•	CL2152Y
HFRP-02B		•		CL2153Y

MODEL	TERMINAL	TERMINAL	BIAMP STRIP	STD TYPE	Y' TYPE	P/No.
HFRP-01	•	•				CL2150Y
HFRP-01B	•					CL2151Y
HFRP-02		•				CL2152Y
HFRP-02B		•				CL2153Y

HOLE SIZE DEPENDS ON TYPE OF FIXING USED.



DIMENSIONS IN MILLIMETERS UNLESS OTHERWISE STATED. WORK TO DIMENSIONS. DO NOT SCALE DRAWING. 3rd ANGLE PROJECTION. REMOVE BURRS. IF IN DOUBT ASK.

* NOTE: 'Y' TYPE HAS TERMINAL WITH Ø3.6mm TOP HOLE. (USES INSERTS FC7915R AND FC7915B)

TITLE HI-FI RECESS PLATE ASSEMBLY HFRP-01

MATERIAL COMPOSITE

FINISH CLEAN

DRAWN C.A.M.J. APPD. RWT

DRWG. No. CL 2150

Cliff Electronic Components Limited
 76 Holmehorpe Ave., Holmehorpe Ind. Estate,
 Redhill, Surrey, RH1 2PF, England
 Tel: 01737-771375 Fax: 01737-766012

CLIFF

X-ON Electronics

Largest Supplier of Electrical and Electronic Components

Click to view similar products for [Loudspeaker Connectors](#) category:

Click to view products by [Cliff](#) manufacturer:

Other Similar products are found below :

[NL4MP-B](#) [NSB1C-8/0](#) [NL4MP-UC-1](#) [NLT4FD-V-BAG](#) [HPCP410F1](#) [SP-4-MDQ](#) [HFRP-01](#) [EP-3-14](#) [EP-4-11P](#) [EP-4-11PB](#) [EP-4-12](#) [EP-5-13PB](#) [EP-6-11P](#) [EP-6-11PB](#) [EP-6-12](#) [EP-6-12B](#) [EP-6-13PB](#) [EP-8-12](#) [EP-8-12B](#) [SC-M2-20](#) [NA4MP-F](#) [CC-212](#) [FM1250](#) [FM1255](#) [FM1275](#) [FM1285](#) [SP-2-MDH](#) [SP-2-MDV](#) [SP-4-MDHT](#) [SP-4-MDHT-8](#) [SP-4-MDV-2](#) [NL4FRX](#) [NL4MMX](#) [NL4MPR](#) [NL4MP-ST](#) [NL8FC](#) [NLT4FP-BAG](#) [NLT8MP](#) [NLT8MP-BAG](#) [SP-4-MDV](#) [EP-8-14B](#) [EP-8-13P](#) [EP-8-11P](#) [EP-6-14B](#) [EP-6-13P](#) [EP-5-14](#) [EP-4-13P](#) [NL2MD-V](#) [NL4FX-5](#)
[NL4MD-H](#)