

R3G175-AF25-02

EC centrifugal fan

backward curved, single inlet



ebm-papst Mulfingen GmbH & Co. KG

Bachmühle 2

D-74673 Mulfingen

Phone +49 7938 81-0

Fax +49 7938 81-110

info1@de.ebmpapst.com

www.ebmpapst.com

Nominal data

Type	R3G175-AF25-02	
Motor	M3G055-CF	
Phase		1~
Nominal voltage	VAC	115
Nominal voltage range	VAC	100 .. 130
Frequency	Hz	50/60
Type of data definition		ml
Speed	min ⁻¹	3750
Power input	W	84
Current draw	A	1.2
Min. ambient temperature	°C	-25
Max. ambient temperature	°C	60

ml = max. load · me = max. efficiency · rfa = running at free air · cs = customer specs · cu = customer unit
Subject to alterations

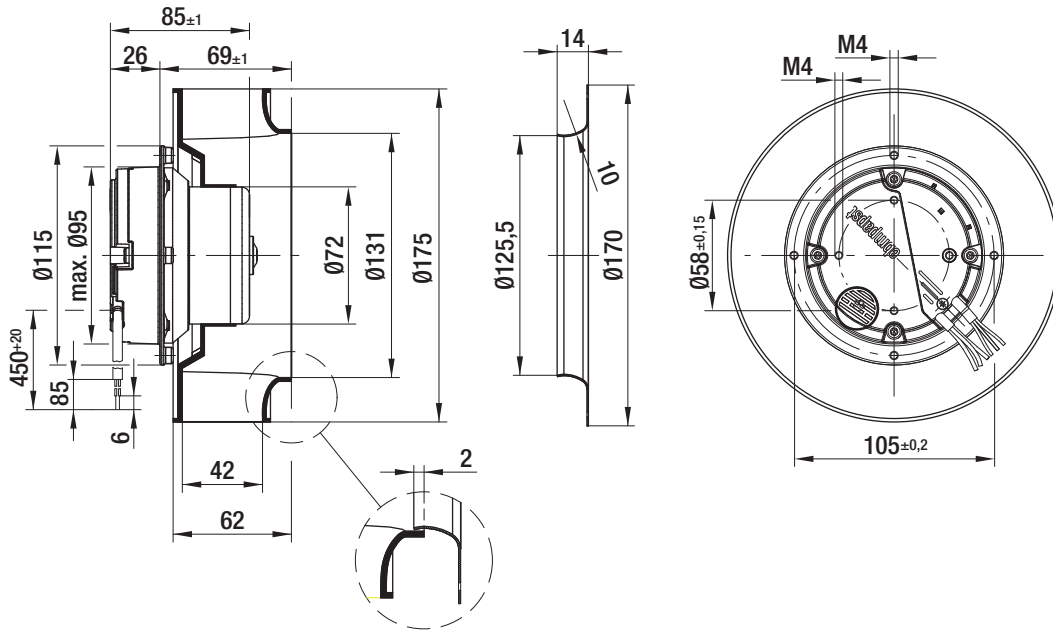
Technical features

Leakage current	<= 3.5 mA
General description	Integrated electronics
Size	175 mm
Operation mode	Continuous operation (S1)
Direction of rotation	Clockwise, seen on rotor
Mounting position	Any
Humidity class	F3-1
Insulation class	"B"
Cable exit	Variable
Motor bearing	Ball bearing
Mass	1.2 kg
Material of electronics housing	Rotor: Galvanized
Material of impeller	PA plastic 6.6, fiberglass-reinforced
Motor protection	Thermal overload protector (TOP) wired internally
Number of blades	7
Type of protection	IP 44
Protection class	I
Technical features	Control input 0-10 VDC / PWM, output 10 VDC max. 1.1 mA, tach output, locked rotor protection
Approval	GOST; UL 2111

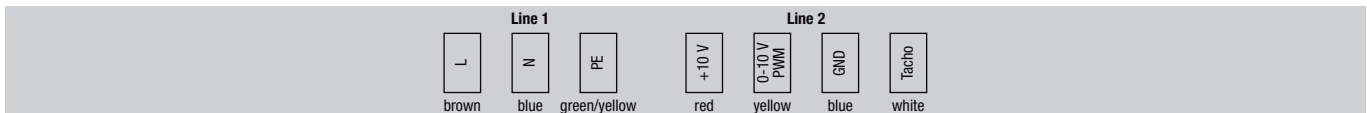
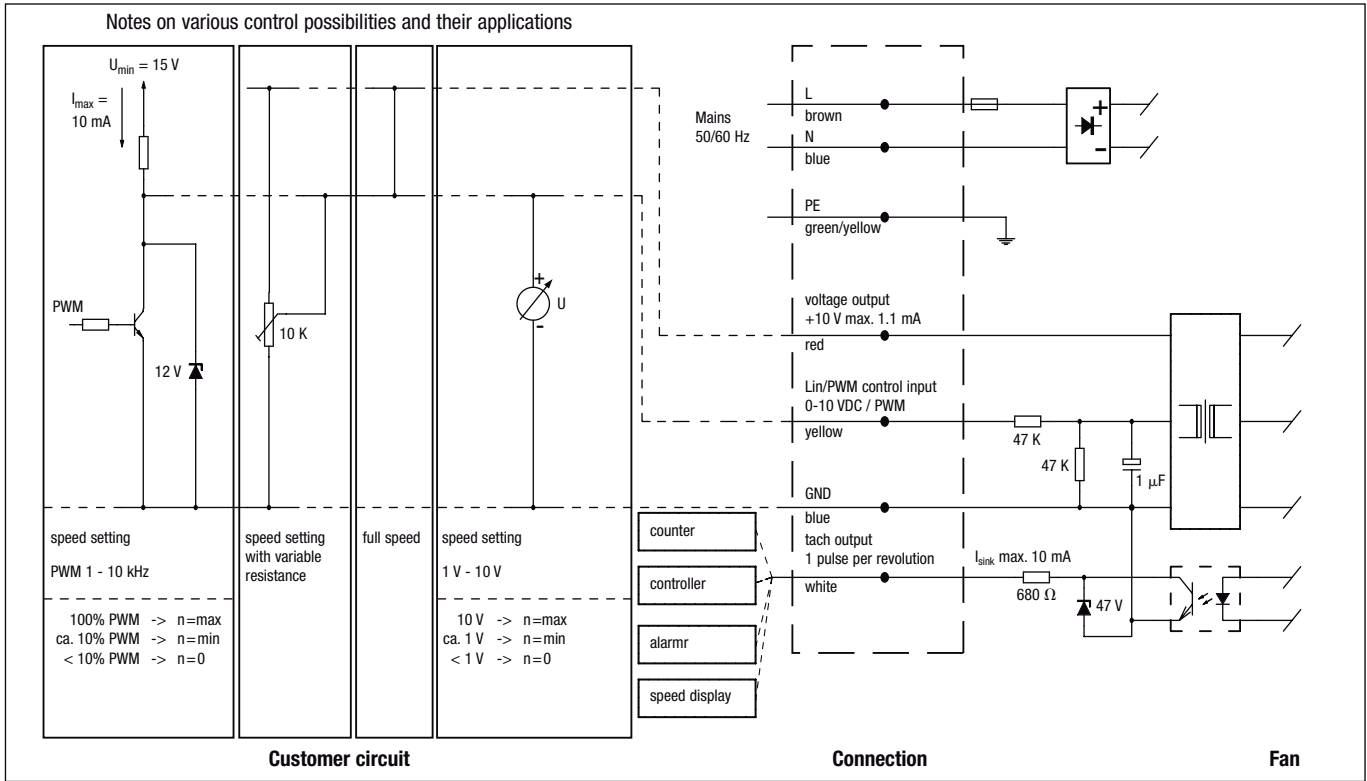
EC centrifugal fan

backward curved, single inlet

Product drawing

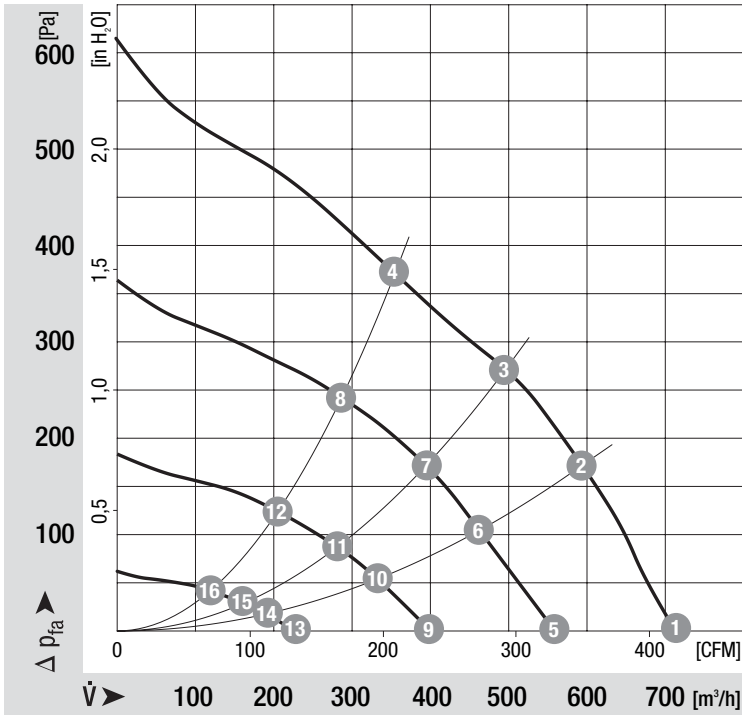


Connection screen



Line	Signal	Colour	Assignment / function	Line	Signal	Colour	Assignment / function
1	L	brown	Mains 50/60 Hz, phase	2	+10 V	red	Voltage output +10 V max. 1.1 mA
	N	blue	Mains 50/60 Hz, neutral		0-10 V / PWM	yellow	Control input
	PE	green/yellow	Protective earth		GND	blue	GND
					Tacho	white	Tach output: pulses per revolution

Charts: Air flow



Measured values

	n	P _e	I
	min ⁻¹	W	A
1	3970	72	1.10
2	3870	81	1.20
3	3810	85	1.20
4	3790	88	1.30
5	3180	38	0.60
6	3110	45	0.70
7	3120	46	0.70
8	3110	47	0.70
9	2270	17	0.30
10	2240	20	0.35
11	2240	20	0.35
12	2240	21	0.35
13	1310	6.0	0.10
14	1300	7.0	0.10
15	1290	7.0	0.10
16	1290	7.0	0.10

X-ON Electronics

Largest Supplier of Electrical and Electronic Components

Click to view similar products for [Blowers](#) category:

Click to view products by [ebm papst](#) manufacturer:

Other Similar products are found below :

[G2E120-CR21-13](#) [R2D160-AC02-13](#) [R2D220-AA24-13](#) [RLF35-812N2P-103](#) [KFB1724VHT-AF00](#) [D4E133-AA01-51](#) [D4E133-DH61-D1](#)
[D4E180-BA04-18](#) [Z4.802.1680.0](#) [R3G280-AK54-01](#) [G3G120-BB13-02](#) [1398425-1](#) [R2D225-AV02-14](#) [D2E146-HT67-63](#) [BFB0524HH-R00](#)
[R3G133-AE17-02](#) [D4E225-BC01-23](#) [R3G190-AB23-02](#) [RER101-36/14N/2HHA-184](#) [G3G160-AC70-01](#) [R3G250-AM70-01](#) [R2E160-AY47-](#)
[10](#) [R2E180-AS77-40](#) [R87B-PF01](#) [R87F-A3A83H](#) [R87F-A4A15MP](#) [R87T-A6A07H](#) [MF50151VX-B00U-A99](#) [BFB0512HH-T50F](#)
[BFB0712H](#) [109BD12HA2](#) [109BD24HD2](#) [109BF12MA2](#) [109BF12MC2](#) [109BF24HA2](#) [109BF24HC2](#) [109BD12MC2](#) [109BF12HA2](#)
[109BF12HC2](#) [109BF24HD2](#) [R3G280-AF45-81](#) [BFB0724H-T500](#) [R87F-A3A15HP](#) [R87F-A4A93HP](#) [R87F-A3A93HP](#) [R2E140-AS77-05](#)
[R2E180-AS77-22](#) [R2E180-CB28-01](#) [14539GA-12N-AA-00](#) [R87F-A1A85HP](#)