

**ENERGIZER CR1616**

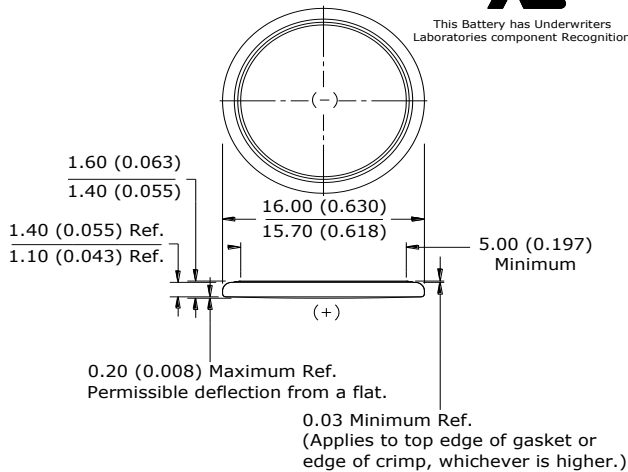
**Lithium Coin**



**Industry Standard Dimensions**  
mm (inches)



This Battery has Underwriters Laboratories component Recognition



**Simulated Application test**

Typical Performance at 21°C (70°F)

| Schedule:  | Typical Drains:<br>at 2.9V<br>(mA) | Load<br>(ohms) | Cutoff<br>2.0V<br>(hours) |
|------------|------------------------------------|----------------|---------------------------|
| Continuous | 0.097                              | 30,000         | 567                       |

**Typical Discharge Characteristics**

Load: 30K ohms - Continuous  
Typical Drain @ 2.9V: 0.097 mA

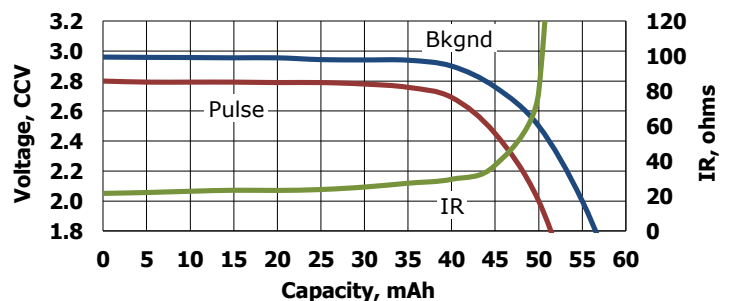


**Internal Resistance Characteristics**

Pulse Test at 21°C (70°F)

**Bkgnd Drain:** Continuous  
30K ohms  
0.097 mA @2.9V

**Pulse Drain:** 2 seconds X 12 times/day  
400 ohms  
6.6 mA @2.65V



**Important Notice**

This datasheet contains typical information specific to products manufactured at the time of its publication.  
©Energizer Holdings, Inc. - Contents herein do not constitute a warranty.

**Safety:**



**(1) KEEP OUT OF REACH OF CHILDREN.** Swallowing may lead to serious injury or death in as little as 2 hours due to chemical burns and potential perforation of the esophagus. **Immediately see doctor; have doctor phone (202) 625-3333.**

**(2) Battery compartment design.** To prevent children from removing batteries, battery compartments should be designed with one of the following methods: a) a tool such as screwdriver or coin is required to open battery compartment or b) the battery compartment door/cover requires the application of a minimum of two independent and simultaneous movements of the securing mechanism to open by hand. Screws should remain captive with the battery door or cover.

## X-ON Electronics

Largest Supplier of Electrical and Electronic Components

*Click to view similar products for [Battery Packs](#) category:*

*Click to view products by [Energizer](#) manufacturer:*

Other Similar products are found below :

[2280309-1](#) [R101-B](#) [4114 210 501](#) [4120 210 501](#) [4600 726 406](#) [4610 726 406](#) [312G-U1](#) [55615703012](#) [3LR12](#) [4103 210 392](#) [4103 210 394](#)  
[4106 210 392](#) [4106 210 394](#) [4223 210 501](#) [4606 726 406](#) [4607 726 406](#) [ZA13](#) [LR03/AAA/MN2400\(K4\)](#) [LR03 MAXELL S4](#) [LR1130](#)  
[MAXELL B10](#) [LR14-MN1400-C K2](#) [LR1/910A](#) [LR41 MAXELL B10](#) [LR43](#) [LR43 MAXELL B10](#) [LR6 MAXELL S4](#) [11012](#) [E23A](#) [E90](#)  
[625302](#) [625304](#) [637871](#) [638006](#) [6LF22/9V/MN1604\(K1\)C&B](#) [6LF22/9V/MN1604 PLUS](#) [6LR61](#) [SR626SW MAXELL](#) [SR920SW](#)  
[MAXELL](#) [7K67 J](#) [55615303059](#) [GP14A S2](#) [GP15E](#) [GP1604GLF-2UE1](#) [GP 1604 ULTRA PLUS](#) [23733](#) [10 ET](#) [675 ET](#) [11A B5](#) [A544](#) [A76-](#)  
[U10](#)