

# Lamp-Base Thread EMI/RFI Shrink Boot Adapter with Strain Relief and Optional Shrink Boot Rotatable Coupling - Low Profile

## CONNECTOR DESIGNATOR:

<b>A</b>	MIL-DTL-5015, -26482, Series II and -83723 Series I and III
<b>F</b>	MIL-DTL-38999 Series I, II
<b>H</b>	MIL-DTL-38999 Series III and IV
<b>J</b>	MIL-DTL-81511 Series I, II, III & IV
<b>L</b>	LN29729
<b>S</b>	PATT 105, PATT 603, PATT 608

## ROTATABLE COUPLING

## Finish

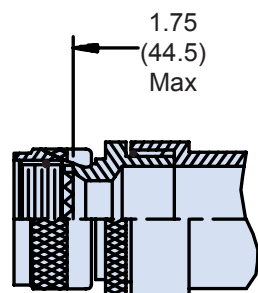
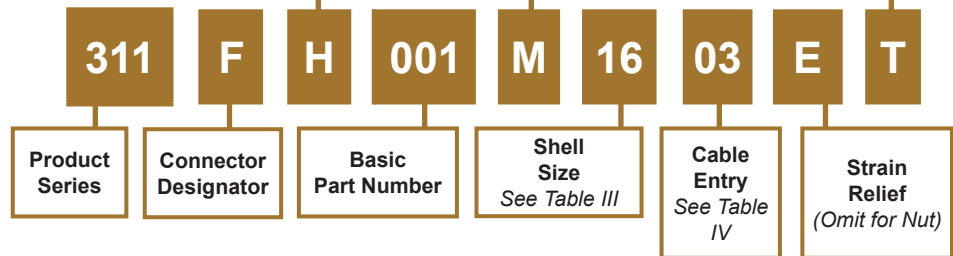
**B** = Cadmium Plate, Olive Drab  
**C** = Anodize, Black  
**G** = Hard Coat, Anodic  
**M** = Electroless Nickel  
**NF** = Cadmium Plate, Olive Drab over Electroless Nickel  
 (See Page H-3)

## Angle and Profile\*

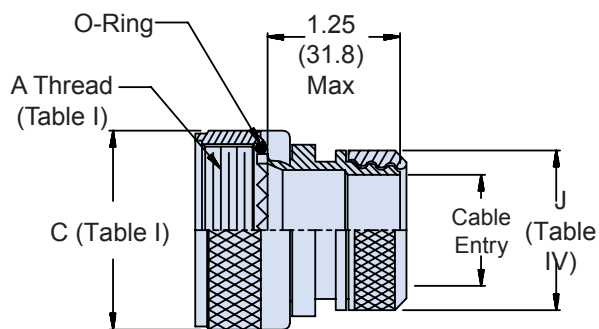
**H** = 45°  
**J** = 90°  
**S** = Straight

## Shrink Boot

See Table IV  
 (Omit for None)



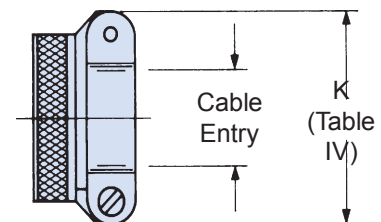
**STYLE 2  
STRAIGHT**



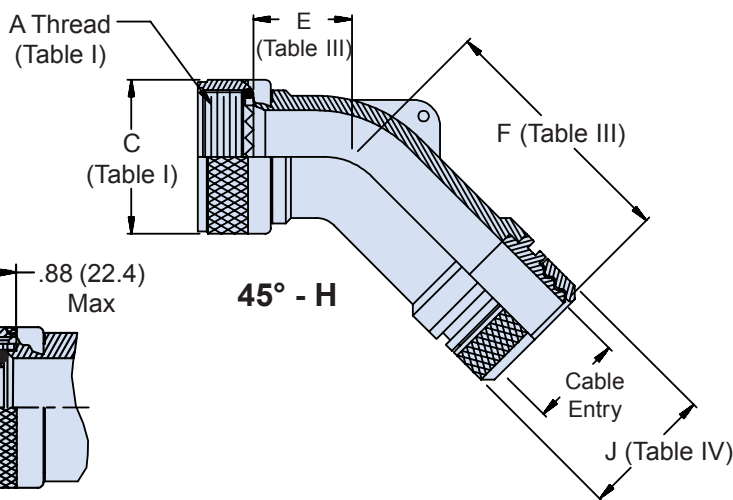
**Straight - S**



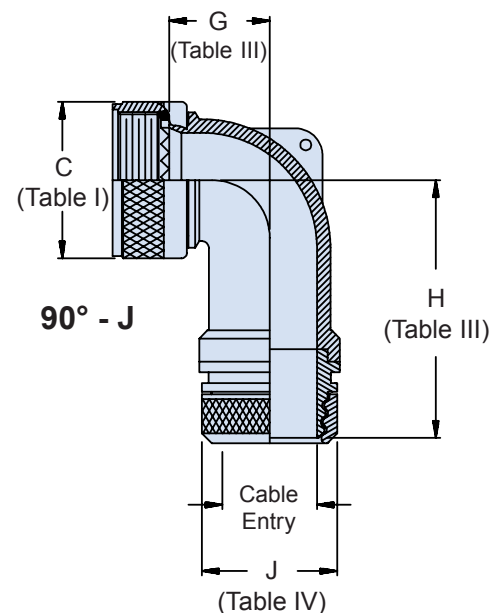
Add "T" to Part Number  
for Standard Boot



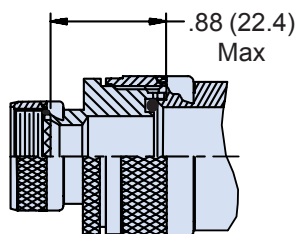
**STYLE E  
STRAIN RELIEF**



**45° - H**



**90° - J**



**STYLE 2  
45° & 90°**

Dimensions in inches (millimeters) and are subject to change without notice.

CAGE Code 06324

Printed in U.S.A.

# Lamp-Base Thread EMI/RFI Shrink Boot Adapter with Strain Relief and Optional Shrink Boot Rotatable Coupling - Low Profile



See Pages H-2 and H-3 for unabridged Tables I and II, and Pages H-4 and H-5 for MIL-DTL-5015

**TABLE III: Connector Designators and Dimensions**

Shell Size - Conn. Desig. A-F-J-L-S	H	E Max	F Max	G Max	H Max
08	09	.457 (11.6)	1.630 (41.4)	.500 (12.7)	1.640 (41.7)
10	11	.520 (13.2)	1.690 (42.9)	.595 (15.1)	1.760 (44.7)
12	13	.582 (14.8)	1.750 (44.5)	.610 (15.5)	1.780 (45.2)
14	15	.645 (16.4)	1.840 (46.7)	.700 (17.8)	1.850 (47.0)
16	17	.738 (18.7)	1.950 (49.5)	.885 (22.5)	1.940 (49.3)
18	19	.926 (23.5)	2.140 (54.4)	.975 (24.8)	2.110 (53.6)
20	21	.926 (23.5)	2.140 (54.4)	.975 (24.8)	2.110 (53.6)
22	23	1.020 (25.9)	2.290 (58.2)	1.125 (28.6)	2.220 (56.4)
24	25	1.020 (25.9)	2.290 (58.2)	1.125 (28.6)	2.220 (56.4)
28		1.145 (29.1)	2.340 (59.4)	1.225 (31.1)	2.390 (60.7)
32		1.207 (30.7)	2.440 (62.0)	1.575 (40.0)	2.640 (67.1)
36		1.238 (31.4)	2.530 (64.3)	1.775 (45.1)	2.640 (67.1)

**TABLE IV: Cable Entry, Dimensions and Shrink Boot**

Dash No.	J Max	K Max	Cable Entry Max	Shrink Boot Part Number
01	.448 (11.4)	.781 (19.8)	.125 (3.2)	n/a
02	.515 (13.1)	.968 (24.6)	.250 (6.4)	770-001S103
03	.640 (16.3)	1.046 (26.6)	.375 (9.5)	770-001S103
04	.765 (19.4)	1.156 (29.4)	.500 (12.7)	770-001S104
05	.920 (23.4)	1.219 (31.0)	.625 (15.9)	770-001S104
06	1.015 (25.8)	1.343 (34.1)	.750 (19.1)	770-001S105
07	1.140 (29.0)	1.469 (37.3)	.875 (22.2)	770-001S106
08	1.265 (32.1)	1.594 (40.5)	1.000 (25.4)	770-001S106
09	1.432 (36.4)	1.719 (43.7)	1.125 (28.6)	770-001S107
10	1.515 (38.5)	1.844 (46.8)	1.250 (31.8)	770-001S107
11	1.640 (41.7)	n/a	1.375 (34.9)	770-001S108
12	1.765 (44.8)	n/a	1.500 (38.1)	770-001S108
13	2.015 (51.2)	n/a	1.750 (44.5)	770-001S108

## APPLICATION NOTES

1. Cable Entry is defined as the accommodation range for the wire bundle or cable. Dimensions shown are not intended for inspection criteria.
2. See Backshell Interface Dimensions and Standards on Pages H-4 and H-5.
3. When maximum entry is exceeded, Style 2 will be supplied and dimensions E, F, G and H will not apply. Please consult factory.

Dimensions in inches (millimeters) and are subject to change without notice.

CAGE Code 06324

Printed in U.S.A.

© 2011 Glenair, Inc.

**GLENAIR, INC. • 1211 AIR WAY • GLENDALE, CA 91201-2497 • 818-247-6000 • FAX 818-500-9912**

www.glenair.com

**H-11**

E-Mail: sales@glenair.com

## X-ON Electronics

Largest Supplier of Electrical and Electronic Components

*Click to view similar products for [Heat Shrink Cable Boots & End Caps](#) category:*

*Click to view products by [Glenair](#) manufacturer:*

Other Similar products are found below :

[577159N001](#) [007758-000](#) [610368N003](#) [645494-000](#) [M85049/141-02HU](#) [M85049/141-03HU](#) [M85049/141-04HU](#) [687025-000](#) [705331-000](#)  
[718446-000](#) [725666N001](#) [729257-000](#) [F21914-000](#) [F27131-000](#) [F85868-000](#) [770-006A103R](#) [770-006A304W1](#) [770-006A305W1](#) [770-](#)  
[006A308W1](#) [770-011T303W1](#) [770-011T304W1](#) [770-020S702W1](#) [770-020S704W1](#) [806138-000](#) [806542N001](#) [807507-000](#) [808059-000](#)  
[808296-000](#) [808362-000](#) [808828-000](#) [809125-000](#) [809130-000](#) [809218-000](#) [811218-000](#) [811288-000](#) [812014-000](#) [812047-000](#) [813166-000](#)  
[813767N002](#) [814417-000](#) [819115N001](#) [819117N001](#) [823026-000](#) [823070-000](#) [825002-000](#) [841189N001](#) [861471-000](#) [866647-000](#) [937577-](#)  
[000](#) [950764-000](#)