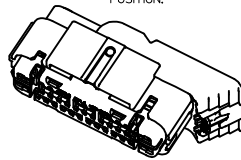
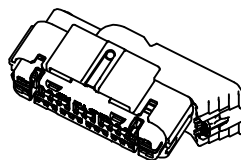


ISO VIEW OF 31381-100 WITH LOCK LEVER IN OPEN POSITION.



PART SHOWN WITH WIRE SHIELD INSTALLED. SHIELD SOLD SEPARATELY.



NOTES:

1. CONNECTOR TO BE SHIPPED WITH TPA IN PRE-LOAD POSITION AS SHOWN IN SECTION A-A.

2. ALL TEXT TO BE CLEARLY LEGIBLE AND 150MM MIN. HEIGHT. MARKING ORIENTATION MAY BE PARALLEL TO THE LENGTH OF THE PART, AS SHOWN, OR PERPENDICULAR TO THE LENGTH OF THE PART.

DATE CODE DESCRIPTION:

-1st THROUGH 3rd DIGIT = "DAY#" OF THE CALENDAR YEAR. (EXAMPLE FEB. 3rd = '034')

-LAST DIGIT = LAST DIGIT OF CALENDAR YEAR. (EXAMPLE: 2000 = '0')

SERIAL NUMBER DESCRIPTION:

-FIRST CHARACTER "M."- ASSEMBLY MACHINE NUMBER

-FOLLOWING NUMBER STARTS AT '00001' AND IS RESET FOR EACH NEW 'DAY#'

MOLEX PART NUMBER:

- SEE TABLE

3. DIMENSIONS NOT SHOWN CAN BE OBTAINED FROM THE ASSOCIATED MODEL.

4. FOR USE WITH THE FOLLOWING TERMINALS:

DELPHI GT280 P/N: 15304720

(MUST BE LUBRICATED WITH NYGEL 760G LUBRICANT)

YAZAKI KAIZEN (CABLE SEALED) P/N: 7116-3703-02 (20 AWG GXL AND TXL)

7116-3704-02 (18 AWG TXL)

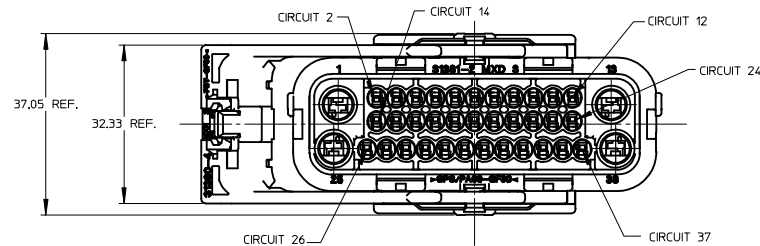
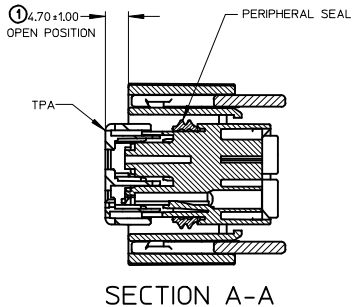
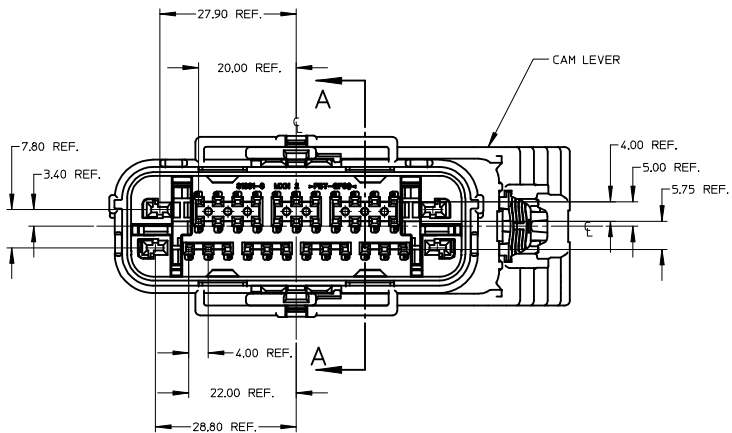
CONTACT TERMINAL MFR. FOR CRIMP AND CABLE SEAL SPECIFICATIONS.

5. MUST BE USED WITH WIRE SHIELD - MOLEX PART NUMBER 31382-1001, WIRE SHIELD SHIPPED SEPARATELY.

6. CONNECTOR SYSTEM MEETS ALL APPLICABLE REQUIREMENTS OF USCAR-2, REV. 4 EXCEPT:

SECTION 5.4.3 - LEVER ASSISTED MATE FORCE, PRE-LOCK RETENTION, THE FORCE REQUIRED TO UNSEAT THE CONNECTOR FROM ITS PRE-LOCK POSITION IS <= 75N.

SECTION 5.4.5 - TPA ENGAGE FORCE, PRE-LOCK TO FINAL LOCK, THE FORCE TO ENGAGE THE TPA FROM THE PRE-LOCK TO FINAL LOCK IS <= 75N.



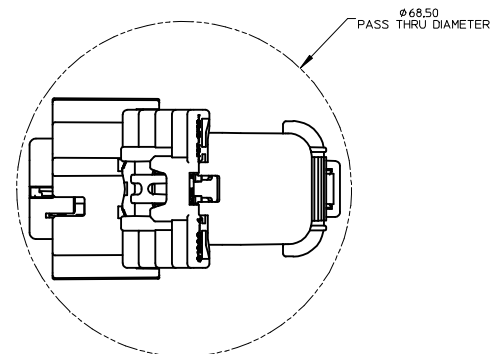
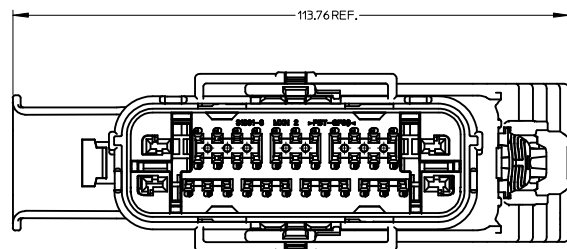
ENTER DESCRIPTION ELEC NO: UAU2014-0636 DRAWN BY: 2013/10/18 CHKD: APPR: WKSHY 2013/11/06 REVISIONS 1 15	QUALITY SYMBOLS	GENERAL TOLERANCES (UNLESS SPECIFIED)	DIMENSION STYLE	SCALE	DESIGN UNITS	THIRD ANGLE PROJECTION
	▽=0	mm INCH	MM ONLY	2:1	METRIC	☉
	▽=0	4 PLACES ± --- ± ---	DRAWN BY DATE	TITLE		
	▽=0	3 PLACES ± 0.13 ± ---	CHECKED BY DATE	38 WAY ABS RECEPTACLE ASSY W/ 2.8 POWER ONLY CCW LVR THROW, SALES DWG		
	1 PLACE ± 0.25 ± ---	APPROVED BY DATE	molex			
	0 PLACE ± ±	MATERIAL NO.	DOCUMENT NO.			SHEET NO.
	ANGULAR ± 1 °	SEE BOM TABLE	SD-31381-100			1 OF 3
	DRAFT WHERE APPLICABLE MUST REMAIN WITHIN DIMENSIONS	THIS DRAWING CONTAINS INFORMATION THAT IS PROPRIETARY TO MOLEX INCORPORATED AND SHOULD NOT BE USED WITHOUT WRITTEN PERMISSION				

### CIRCUIT OPTIONS

CUSTOMER PART NUMBER	CUST. CODE	MOLEX ASSEMBLY PART NUMBER	CAVITY NUMBER																																		
			*X* INDICATES VOIDED/CLOSED CIRCUIT																																		
			2	3	4	5	6	7	8	9	10	11	12	13	14	15	16	17	18	19	20	21	22	23	24	26	27	28	29	30	31	32	33	34	35	36	37
TBD	G	31381-1000																																			
TBD	G	31381-1001	X	X	X	X	X	X	X	X	X	X	X	X	X	X	X	X	X	X	X	X	X	X	X	X	X	X	X	X	X	X	X	X	X	X	
TBD	G	31381-1002	X	X	X	X		X	X	X	X	X								X	X							X	X							X	X
TBD	G	31381-1003			X			X	X	X	X	X								X	X															X	X
TBD	G	31381-1005			X			X	X	X									X									X	X							X	
TBD	G	31381-1006			X	X		X	X	X									X	X							X	X	X							X	
TBD	G	31381-1009						X											X																	X	
TBD	G	31381-1010	X	X	X		X			X	X	X	X					X	X							X	X	X	X	X	X	X					
TBD	G	31381-1011					X			X									X	X																	
TBD	G	31381-1012	X	X	X		X	X	X	X	X	X							X	X							X	X								X	X
TBD	G	31381-1013	X	X	X		X	X	X	X	X	X							X	X							X									X	X
TBD	G	31381-1014	X	X	X		X	X	X	X	X	X	X						X						X	X	X	X	X	X	X	X	X	X	X	X	X
TBD	G	31381-1015	X	X			X	X	X										X								X	X								X	
TBD	G	31381-1016	X	X			X	X	X										X								X	X								X	
TBD	G	31381-1017					X												X	X							X	X	X	X	X						
TBD	G	31381-1018		X	X		X												X	X							X	X								X	
TBD	G	31381-1020	X	X	X		X	X	X	X	X	X	X						X	X						X	X	X	X	X	X	X	X	X	X	X	X
TBD	G	31381-1021	X	X	X		X	X	X	X	X	X							X	X						X	X										
TBD	G	31381-1022	X	X	X		X	X	X	X	X	X							X						X	X	X	X	X	X	X	X	X	X	X	X	X
TBD	G	31381-1023	X	X			X	X	X	X	X								X							X	X	X	X	X	X	X	X	X	X	X	X
TBD	G	31381-1024	X	X			X	X	X	X	X	X							X							X	X	X	X	X	X	X	X	X	X	X	X
TBD	G	31381-1025					X	X	X										X	X						X	X										

BILL OF MATERIAL						
MOLEX ASSY. PART NO.	HOUSING	TPA	CAM LEVER	CPA	PERIPHERAL SEAL	
31381-1000	31381-2000					
31381-1001	31381-2001					
31381-1002	31381-2002					
31381-1003	31381-2003					
31381-1005	31381-2005					
31381-1006	31381-2006					
31381-1009	31381-2009					
31381-1010	31381-2010					
31381-1011	31381-2011	31381-3000	31380-4000	34585-0002	31193-2000	
31381-1012	31381-2012					
31381-1013	31381-2013					
31381-1014	31381-2014					
31381-1015	31381-2015					
31381-1016	31381-2016					
31381-1017	31381-2017					
31381-1018	31381-2018					
31381-1020	31381-2020					
31381-1021	31381-2022					
31381-1022	31381-2023					
31381-1023	31381-2024					
31381-1024	31381-2019					
31381-1025	31381-2026					

### PART VIEWS WITH WIRE SHIELD INSTALLED



<b>ENTER DESCRIPTION</b> EC NO: UAU2014-0636 DRAWN BY: E15 CHYD: APPR: IKOSHY 2013/10/18	<b>QUALITY SYMBOLS</b> ▽=0 ▽=0 ▽=0	<b>GENERAL TOLERANCES (UNLESS SPECIFIED)</b>		DIMENSION STYLE <b>MM ONLY</b>	SCALE <b>2:1</b>	DESIGN UNITS <b>METRIC</b>	THIRD ANGLE PROJECTION	
		4 PLACES ± mm INCH	3 PLACES ± --- ± ---	DRAWN BY MHASAN	DATE 04/08/2004	TITLE <b>38 WAY ABS RECEPTACLE ASSY W/ 2.8 POWER ONLY CCW LVR THROW. SALES DWG</b>		
		2 PLACES ± 0.13 ± ---	1 PLACE ± 0.25 ± ---	CHECKED BY MDANIELS	DATE 04/15/2004	molex		
		ANGULAR ± 1 °		APPROVED BY GPRATT	DATE 2010/03/08	MATERIAL NO. <b>SEE BOM TABLE</b>	DOCUMENT NO. <b>SD-31381-100</b>	SHEET NO. <b>2 OF 3</b>
DRAFT WHERE APPLICABLE MUST REMAIN WITHIN DIMENSIONS		THIS DRAWING CONTAINS INFORMATION THAT IS PROPRIETARY TO MOLEX INCORPORATED AND SHOULD NOT BE USED WITHOUT WRITTEN PERMISSION						



## X-ON Electronics

Largest Supplier of Electrical and Electronic Components

*Click to view similar products for [Headers & Wire Housings](#) category:*

*Click to view products by [Molex](#) manufacturer:*

Other Similar products are found below :

[95000-104TRLF](#) [10135584-644402LF](#) [DF62W-EP2022PCA](#) [95000-106TRLF](#) [DF62W-2022SCA](#) [DF62W-EP2022PC](#) [2203348](#) [DF62W-2022SC](#) [1084018](#) [1029039](#) [1084017](#) [802-10-012-10-002000](#) [1112640](#) [1112639](#) [891-007-9SS-BST1T](#) [000-34000](#) [0008550134](#) [0009482033](#) [0009507031](#) [57102-F02-18ULF](#) [57102-S06-03LF](#) [57202-S52-04LF](#) [PCN6-15S-2.5E](#) [0039019024](#) [58102-G61-06LF](#) [582553-1](#) [0009485154](#) [0009508121](#) [0022285053](#) [0050291907](#) [018731A](#) [LY20-4P-DT1-P1E-BR](#) [02.125.8002.8](#) [60101931](#) [60598-1 \(Cut Strip\)](#) [M1625-3R/100](#) [61062-3](#) [61082-181009](#) [CSU011177004](#) [636-1427](#) [638009-1](#) [641938-9](#) [641991-4](#) [644168-1](#) [644827-2](#) [647662-1](#) [65039-019ELF](#) [65692-001LF](#) [65781-018](#) [65781-047](#)