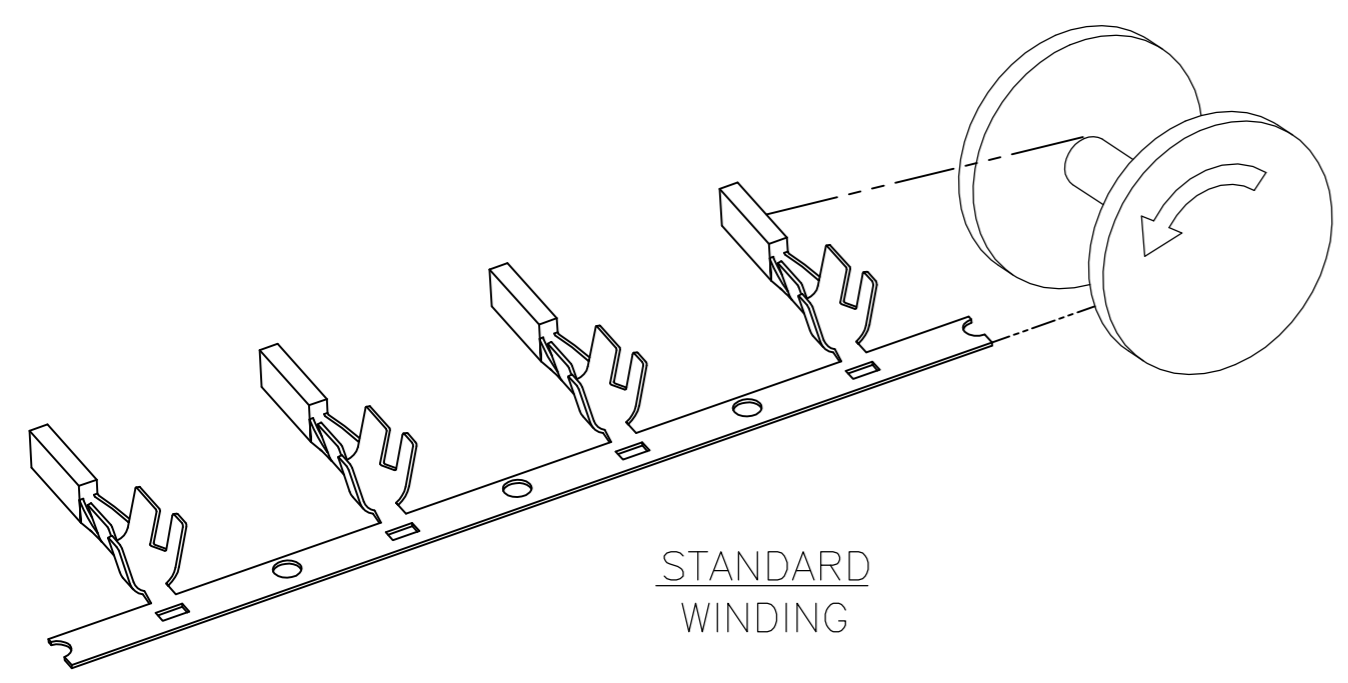
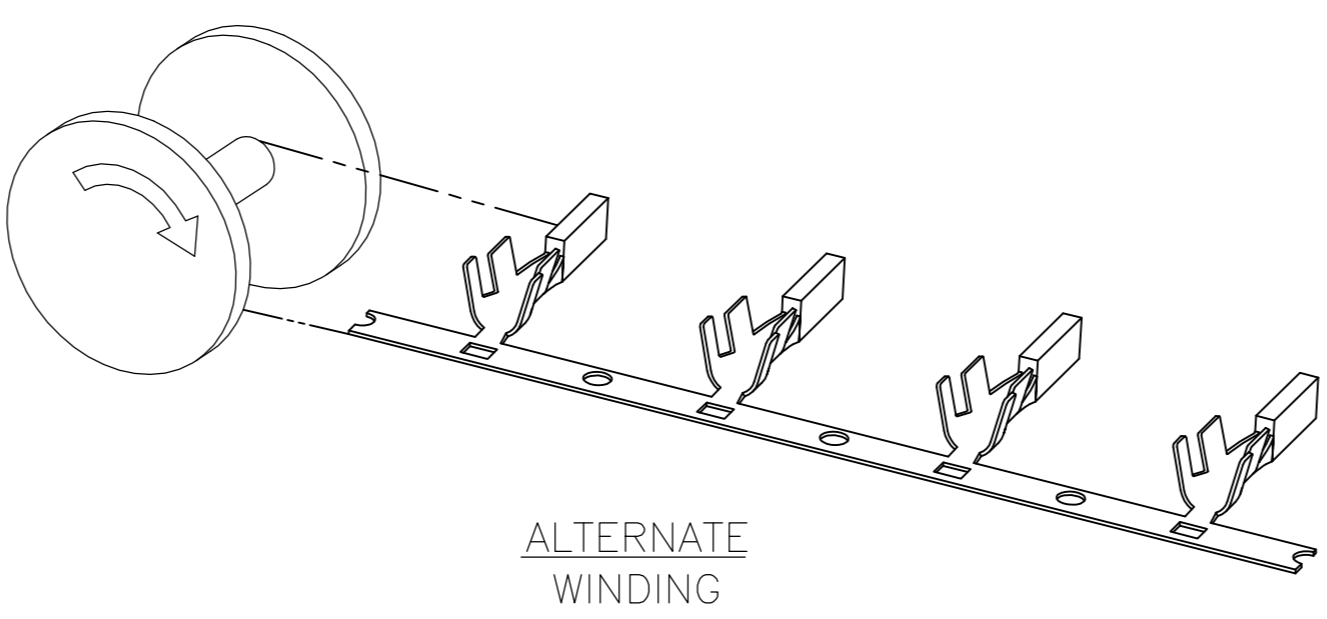
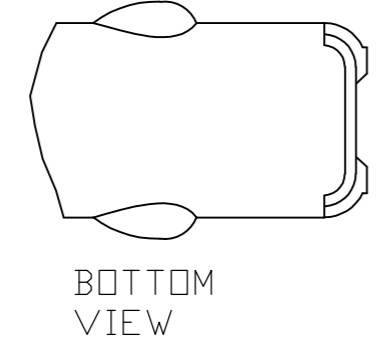
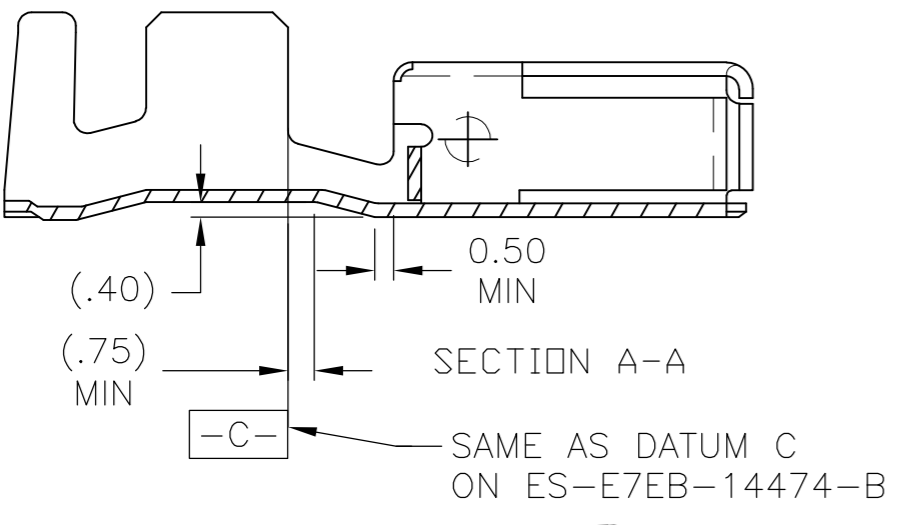
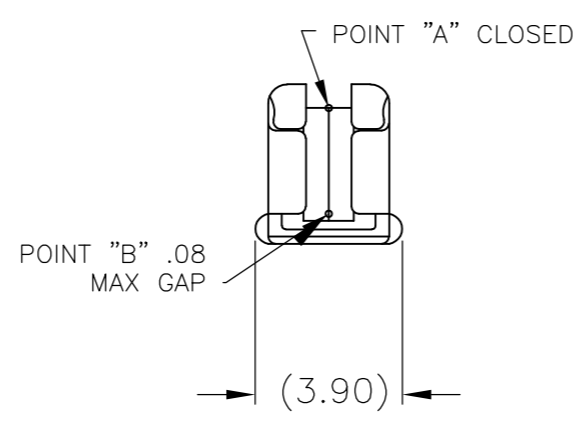
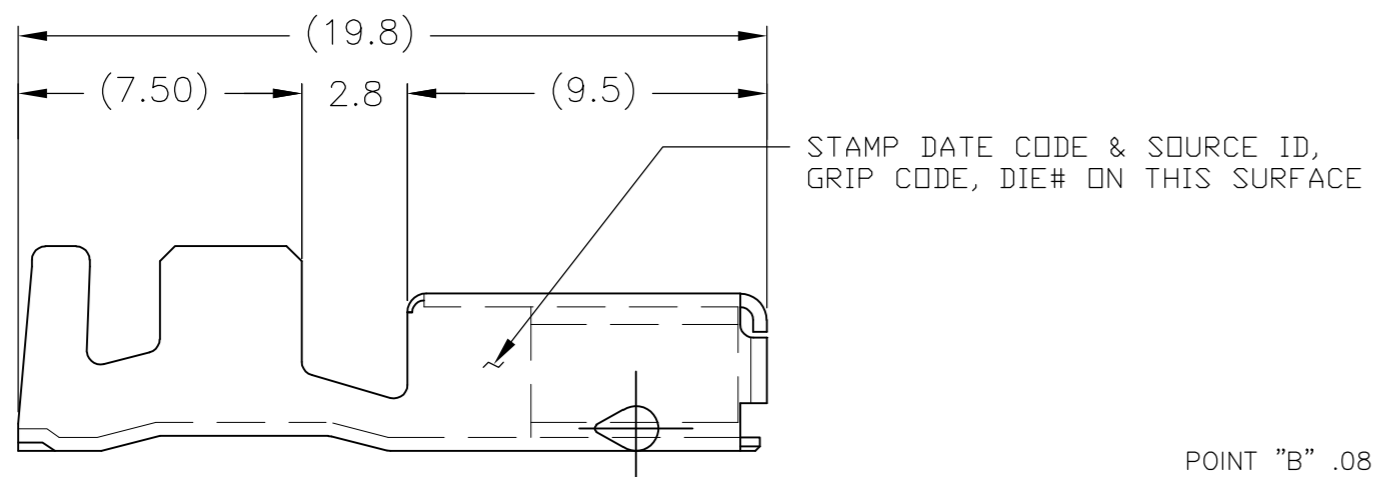
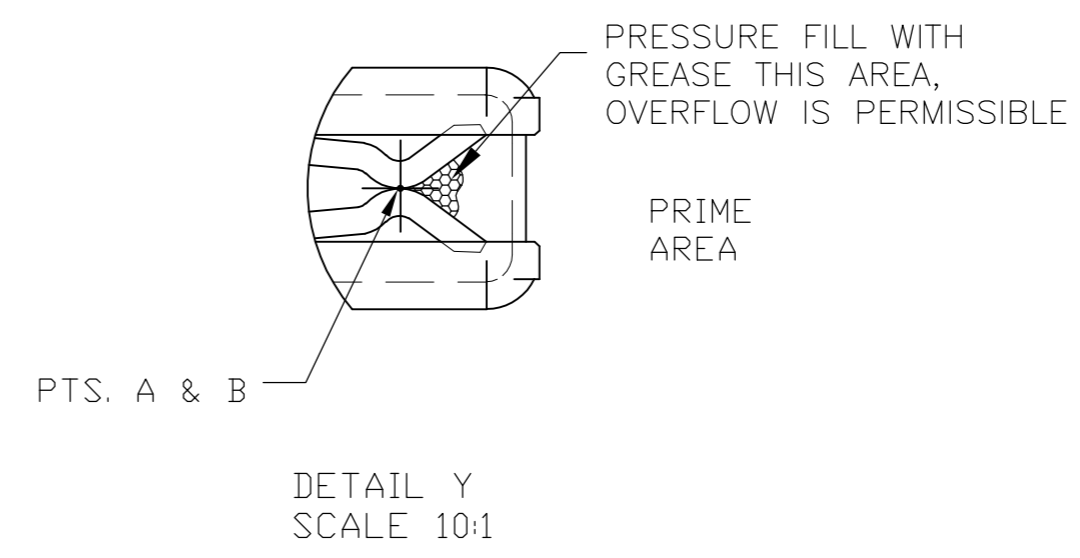
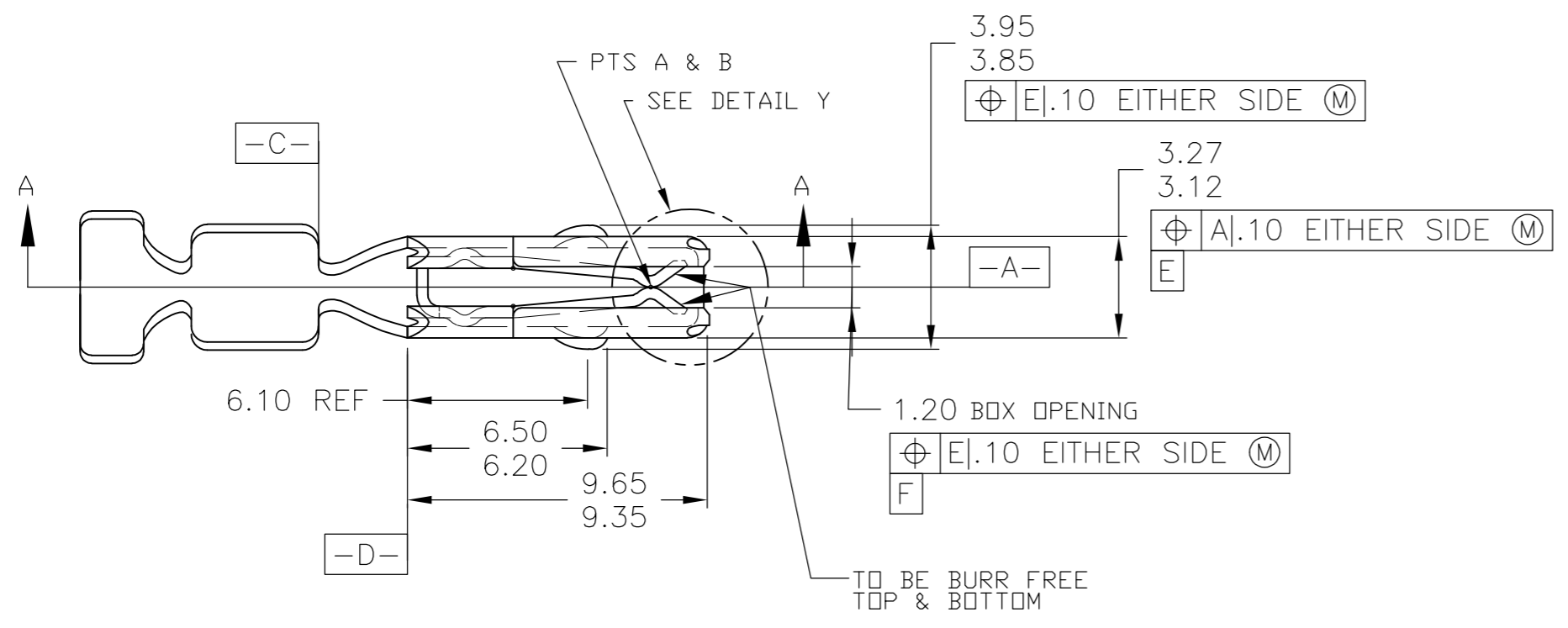


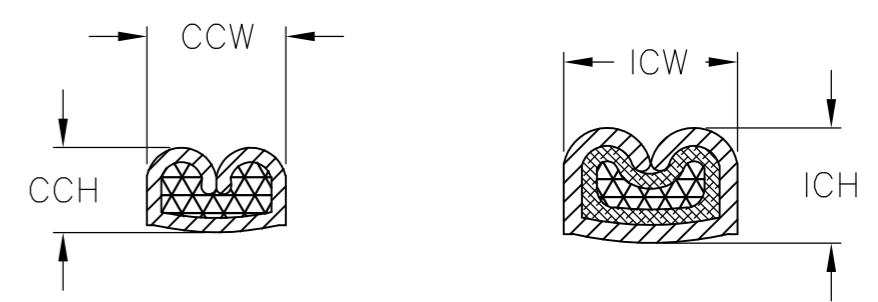
THIS DRAWING IS UNPUBLISHED. RELEASED FOR PUBLICATION  
 © COPYRIGHT BY TYCO ELECTRONICS CORPORATION. ALL INTERNATIONAL RIGHTS RESERVED.

LOC		DIST		REVISIONS				
P	LTR	DESCRIPTION			DATE	DWN	APVD	
		D		REVISED PER ECO-09-028142	11MAR2010	DD	WW	



NOTES: UNLESS OTHERWISE SPECIFIED

- GENERAL TOLERANCES:  
 ± .3 ALL ONE PLACE DIMENSIONS  
 ± .15 ALL TWO PLACE DIMENSIONS  
 ± 1.00° ALL ANGULAR DIMENSIONS
- \* CRIMPING OF TERMINALS TO WIRE MUST MEET ALL REQUIREMENTS OF ES-E7E8-14474-A
- FOR WIRE INSULATION DEFORMATION SPECIFICATIONS SEE ES-E4EB-14461-AA
- MATERIAL: UNS C19500 BRASS, 1/2 HARD (REF)  
 FINISH: WSB-NIP9-B TIN PLATE - HOT DIP, PRE-TIN STRIP EXCEPT PLATING THICKNESS TO BE A MINIMUM OF 035u INCH



	3-1438230-3	12	12	3.25	2.00	3.20	3.50	-	-
	3-1438230-2	14	14	2.85	1.80	3.20	2.90	3.40	3.05
	3-1438230-1	22	22	1.85	1.20	2.20	2.00	2.40	2.15
			24	1.85	1.10	2.20	1.75	2.40	1.90
3-1438230-5	3-1438230-4	18	18	2.05	1.50	2.40	2.30	2.80	2.70
			20	2.05	1.40	2.40	2.20	2.80	2.60
TYCO ELECTRONICS REWOUND P/N	TYCO ELECTRONICS P/N	GRIP CODE	WIRE SIZE	CCW	CCH	ICW	ICH	ICW	ICH
				CONDUCTOR CRIMP		INSULATION CRIMP (TW)		INSULATION CRIMP (STD)	

THIS DRAWING IS A CONTROLLED DOCUMENT.

DIMENSIONS: mm	TOLERANCES UNLESS OTHERWISE SPECIFIED:	DWN JR BUSSARD 09 MAY 2003	Tyco Electronics Corporation Harrisburg, PA 17105-3608
0 PLC ± -	1 PLC ± -	CHK DM REVAK 09 MAY 2003	
2 PLC ± -	3 PLC ± -	APVD DM REVAK 09 MAY 2003	NAME
4 PLC ± -	ANGLES ± -	FINISH	TERMINAL - WIRE SNAP ON FEMALE
MATERIAL SEE NOTES	FINISH SEE NOTES	WEIGHT -	SIZE A2
		CUSTOMER DRAWING	CAGE CODE 00779
			DRAWING NO C=1438230
			RESTRICTED TO -
			SCALE 5:1
			SHEET 1 OF 1
			REV D

## X-ON Electronics

Largest Supplier of Electrical and Electronic Components

*Click to view similar products for [Automotive Connectors](#) category:*

*Click to view products by [TE Connectivity](#) manufacturer:*

Other Similar products are found below :

[003-018-000](#) [600858](#) [60403001](#) [60993906-B](#) [60993913-B](#) [629515004020001](#) [M902-2131](#) [M902-2161](#) [M902-2344](#) [72.330.1035.1](#)  
[73.353.4028.0](#) [F118010](#) [F119300-B](#) [F132210](#) [F132210-B](#) [F166900](#) [F180100](#) [F258300](#) [F258300-B](#) [F294300-B](#) [F339100](#) [F339700](#) [F358300-](#)  
[B](#) [F374110](#) [F407400](#) [F412210](#) [F427600](#) [F444110](#) [F487000](#) [F495100-B](#) [F500900-B](#) [F509500B-B](#) [770444-1](#) [776880-1](#) [827153-1](#) [881735-1](#)  
[8N1515-32-24P](#) [9-1326727-8](#) [9-1326729-8](#) [925467-1](#) [925474-1](#) [928905-1](#) [936398-2](#) [964562-1](#) [964562-4](#) [964731-2](#) [965051-1](#) [968782-1](#)  
[GT17SA-8DS-HU](#) [GT17VS-10DP-5.2CF](#)