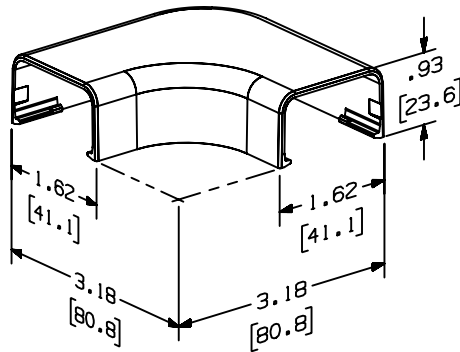


THIS COPY IS PROVIDED ON A RESTRICTED BASIS AND IS NOT TO BE USED IN ANY WAY DETRIMENTAL TO THE INTERESTS OF PANDUIT CORP.

| PANDUIT PART NO. | WEIGHT |
|------------------|------------------------------------|
| RAFC10 | 4.4 LB/100 PCS (2010 g/100 PCS) |

NOTES:

- SEE CURRENT CATALOG FOR ADDITIONAL PART NUMBER SUFFIXES TO INDICATE COLOR AND OR PACKAGE QUANTITY.
- THIS PRODUCT IS INTENDED TO BE USED WITH PANDUIT TYPE LD10 RACEWAY.
- NOMINAL WALL THICKNESSES: .070 [1.8].
- THIS PRODUCT IS FEATURED WITH THE TIA/EIA COMPLIANT BEND RADIUS.
- DIMENSIONS IN PARENTHESIS ARE IN METRIC.



CAD FILENAME/LAYERS D35013BD_LD_RAFC10_02.PRT

PANDUIT CORP. TINLEY PARK, ILLINOIS

RIGHT ANGLE FITTING COVER
(RAFC10)
CUSTOMER DRAWING

UNLESS OTHERWISE SPECIFIED,
DIMENSIONAL TOLERANCES ARE:
(.X) ± (.XXX) ±.015 [.4]
(.XX) ±.03 [.8] ANGLES ±

UNLESS OTHERWISE SPECIFIED,
ALL DIMENSIONS ARE GIVEN
IN INCHES, THIRD ANGLE PROJECTION.

| | | | | | | | | | | | | | | | | | | |
|-----|----------|------|------|---|----------|------|------|-----|--|------------------|--|-------------------|--|---------------|--|-------------------------|--|------------------|
| 2 | 03-11-04 | JHEP | RMHI | B. REMOVED CD10 FROM NOTE 2 | 35013-04 | RGRO | RGRO | | | | | | | | | | | |
| 1 | 07-03-02 | JHNU | RMHI | A. REVISED MATERIAL IN DRAWING TITLE BLOCK | 35013-04 | RGRO | RGRO | | | | | | | | | | | |
| R | 02-13-95 | DW | CEF | RELEASED TO PRODUCTION | 35013-04 | CEF | CEF | | | | | | | | | | | |
| REV | DATE | BY | CHK | DESCRIPTION | ECN | CHK | CUST | SUP | | | | | | | | | | |
| | | | | | | | | | | DRAWN BY DW | | MAT'L: ABS | | SCALE NONE | | DRAWING NO. 35013-04 | | DWG SIZE A |
| | | | | | | | | | | DATE 02-13-95 | | CHECKED BY CEF | | | | | | |

X-ON Electronics

Largest Supplier of Electrical and Electronic Components

Click to view similar products for [Wire Ducting](#) category:

Click to view products by [Panduit](#) manufacturer:

Other Similar products are found below :

[66200A-10](#) [CVED32VEPG](#) [CVED40VEPG](#) [F512D5-5F140Y](#) [F512D5-5F200Y](#) [F512D5-5F26Y](#) [F512D5-5F30Y](#) [F512D5-5F33Y](#) [F512D5-5F34Y](#) [F512D5-5F45Y](#) [F512D5-5F50Y](#) [F512D5-5F54Y](#) [F512D5-5F66Y](#) [F512D5-5F70Y](#) [F512D5-5F75Y](#) [F512D5-5F90Y](#) [F612D5-5F100Y](#) [F612D5-5F130Y](#) [F612D5-5F50Y](#) [F612D5-5F56Y](#) [F612D5-5F58Y](#) [F6L12D5-5F46](#) [F912D5-5F11Y](#) [F912D5-5F170Y](#) [F912D5-5F175Y](#) [F912D5-5F230Y](#) [F912D5-5F300Y](#) [F912D5-5F55Y](#) [F912D5-5F56Y](#) [F912D5-5F63Y](#) [F912D5-5F6Y](#) [F912D5-5F75Y](#) [F912D5-5F85Y](#) [F912D5-5F86Y](#) [F912D5-5F88Y](#) [F912D5-5F96Y](#) [FAP0047WBLMTP](#) [FAP12WBRDRDDLZ](#) [FAP12WDYLYLDLZ](#) [FAP12WEORORDLZ](#) [FAP6WEORORDLZ](#) [FAP6WFDBDBDLZ](#) [FAP8WEORORDLZ](#) [FCE2UWCL](#) [800A-LB](#) [802A-ECSP](#) [802I-ICSP](#) [FJQADH](#) [FJQFXT](#) [PED10](#)