

## Series MBS - How to Order

Suitable for M83513 Connectors

Example:  
MBS-09N-EA00-M5

Description: Metal backshell size 9, nickel finish, cable exit "A" straight with "M5" hardware

**MBS** - **XXX** **X** - **E** **X** **XX** **XX**

**MBS** = EMI Backshell  
(aluminum alloy material)

**Connector Size** (number of contacts)  
09, 15, 21, 25, 31, 37, 51, 100

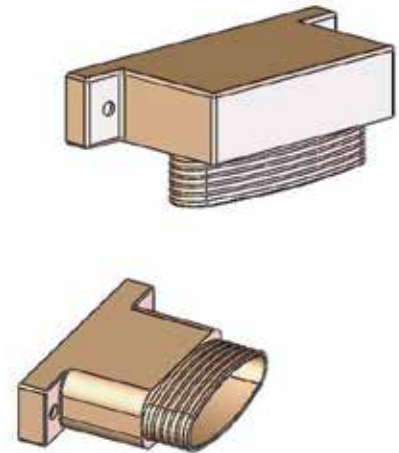
**Shell Finish**  
**C** = cadmium  
**N** = electroless nickel  
**G** = gold  
**Z** = customer specified plating  
(e.g. olive drab camium)

**Exit Shape**  
**E** = elliptical

**Cable Exit Size**  
**A, B, C, D, E, F, G, H**  
See page 172 for straight exit  
See page 173 for right angle exit

**Exit Angle**  
**00** = straight  
**90** = right angle

**Hardware**  
**M5** = low profile jackscrew (slot head)  
**M6** = high profile jackscrew (slot head)  
**P** = jackpost  
Omit for no hardware



## Features

- The Amphenol Micro-D EMI backshell series MBS is designed for use with M83513 connectors.
- It is a reliable means of providing EMI and strain relief for harnessed connectors.
- Available for sizes 9 thru 100.
- Available in straight or 90 deg exit angle (consult Amphenol Aerospace for 45 deg or alternate exit angle).
- Backshells are machined from aluminum alloy and are offered with various plating options.

## Performance Information

- Magnetic permeability (MIL-I-17214): less than 2 mu
- Shielding efficiency: to 1 GHz, 60 db to > 100 db
- Vibration (per MIL-STD-1344 Method 2004, condition C): No damage or discontinuity between shell and shield

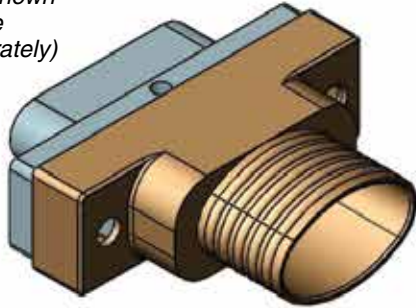
Inches (mm)  
All dimensions for reference only



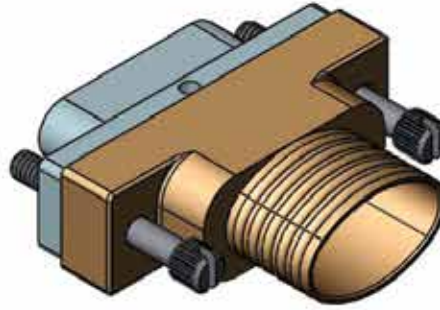
- Contacts & Tools
- 2M Specs
- 2M801
- 2M803
- 2M804
- 2M805
- 2M Accessories
- HD38999
- Micro-D
- Terrapin
- Nexus

Suitable for M83513 Connectors

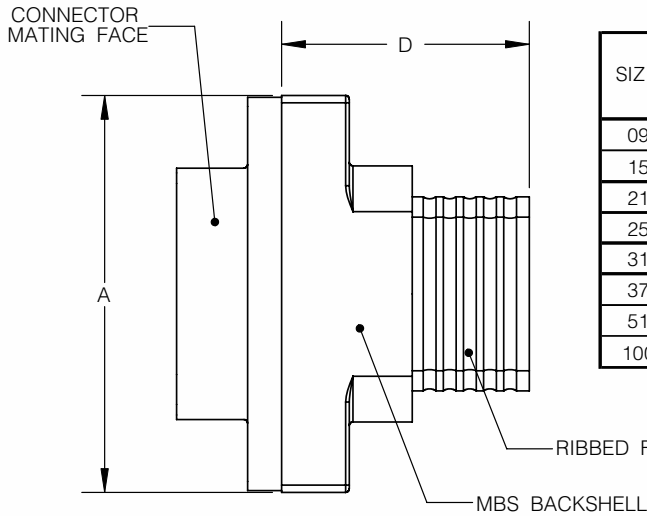
Connector shown for reference (order separately)



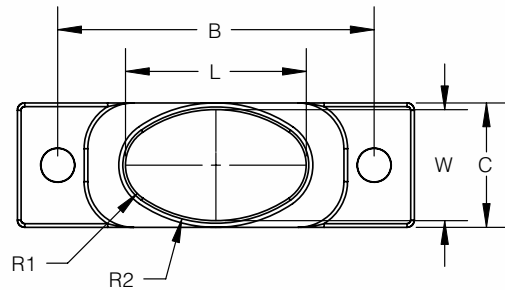
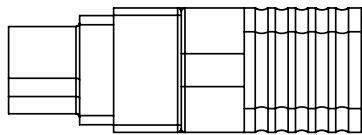
NO HARDWARE SHOWN



WITH HARDWARE SHOWN



SIZE	A MAX	B ±.005 (0.13)	C ±.005 (0.13)	D ±.020 (0.51)
09	.785 (19.94)	.565 (14.35)	.340 (8.64)	.762 (19.35)
15	.935 (23.75)	.715 (18.16)	.340 (8.64)	.812 (20.62)
21	1.085 (27.56)	.865 (21.97)	.340 (8.64)	.862 (21.89)
25	1.185 (30.10)	.965 (24.51)	.340 (8.64)	.912 (23.16)
31	1.335 (33.91)	1.115 (28.32)	.340 (8.64)	.952 (24.18)
37	1.485 (37.72)	1.265 (32.13)	.340 (8.64)	.992 (25.20)
51	1.435 (36.45)	1.215 (30.86)	.400 (10.16)	1.072 (27.32)
100	2.175 (55.25)	1.800 (45.72)	.450 (11.43)	1.137 (28.88)



SIZE	W ±.010 (0.25)	L ±.010 (0.25)	R1 ±.010 (0.25)	R2 ±.020 (0.51)	AVAILABLE ON SIZE
A	.290 (7.37)	.344 (8.74)	.109 (2.77)	.182 (4.62)	09 THRU 100
B	.290 (7.37)	.494 (12.55)	.109 (2.77)	.353 (8.97)	15 THRU 100
C	.290 (7.37)	.644 (16.36)	.109 (2.77)	.757 (19.23)	21 THRU 100
D	.304 (7.72)	.744 (18.90)	.109 (2.77)	.940 (23.88)	25 THRU 100
E	.304 (7.72)	.894 (22.71)	.109 (2.77)	1.488 (37.80)	31 THRU 100
F	.304 (7.72)	.994 (25.25)	.109 (2.77)	1.893 (48.08)	37 THRU 100
G	.304 (7.72)	1.044 (26.52)	.109 (2.77)	2.128 (54.05)	37 AND 100
H	.384 (9.75)	1.524 (38.71)	.125 (3.18)	3.187 (80.95)	100 ONLY

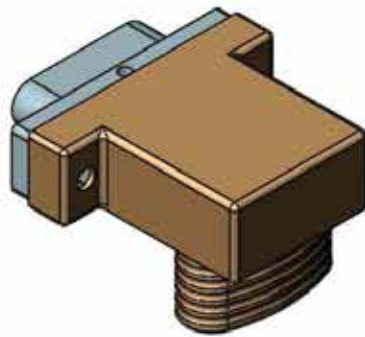
Inches (mm)  
All dimensions for reference only

- Contacts & Tools
- 2M Specs
- 2M801
- 2M803
- 2M804
- 2M805
- 2M Accessories
- HD38999
- Micro-D
- Terrapin
- Nexus

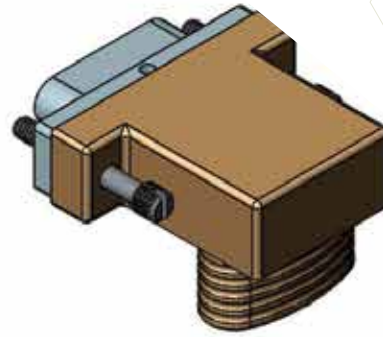
## Series MBS

Suitable for M83513 Connectors

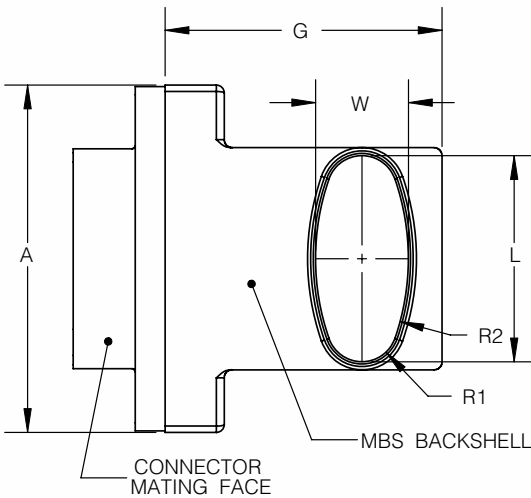
Connector shown for reference (order separately)



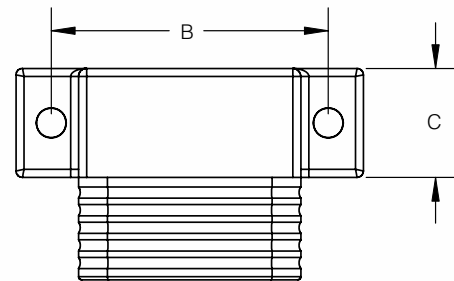
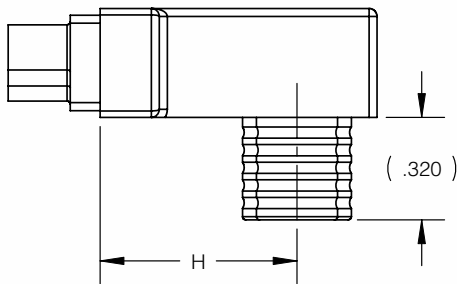
NO HARDWARE SHOWN



WITH HARDWARE SHOWN



SIZE	A MAX	B ±.005 (0.13)	C ±.005 (0.13)	G MAX	H ±.010 (0.25)
09	.785 (19.94)	.565 (14.35)	.340 (8.64)	.865 (21.97)	.615 (15.62)
15	.935 (23.75)	.715 (18.16)	.340 (8.64)	.865 (21.97)	.615 (15.62)
21	1.085 (27.56)	.865 (21.97)	.340 (8.64)	.865 (21.97)	.615 (15.62)
25	1.185 (30.10)	.965 (24.51)	.340 (8.64)	.885 (22.48)	.625 (15.88)
31	1.335 (33.91)	1.115 (28.32)	.340 (8.64)	.885 (22.48)	.625 (15.88)
37	1.485 (37.72)	1.265 (32.13)	.340 (8.64)	.885 (22.48)	.625 (15.88)
51	1.435 (36.45)	1.215 (30.86)	.400 (10.16)	.925 (23.50)	.645 (16.38)
100	2.175 (55.25)	1.800 (45.72)	.450 (11.43)	.980 (24.89)	.657 (16.69)



SIZE	W ±.010 (0.25)	L ±.010 (0.25)	R1 ±.010 (0.25)	R2 ±.020 (0.51)	AVAILABLE ON SIZE
A	.290 (7.37)	.344 (8.74)	.109 (2.77)	.182 (4.62)	09 THRU 100
B	.290 (7.37)	.494 (12.55)	.109 (2.77)	.353 (8.97)	15 THRU 100
C	.290 (7.37)	.644 (16.36)	.109 (2.77)	.757 (19.23)	21 THRU 100
D	.304 (7.72)	.744 (18.90)	.109 (2.77)	.940 (23.88)	25 THRU 100
E	.304 (7.72)	.894 (22.71)	.109 (2.77)	1.488 (37.80)	31 THRU 100
F	.304 (7.72)	.994 (25.25)	.109 (2.77)	1.893 (48.08)	37 THRU 100
G	.304 (7.72)	1.044 (26.52)	.109 (2.77)	2.128 (54.05)	37 AND 100
H	.384 (9.75)	1.524 (38.71)	.125 (3.18)	3.187 (80.95)	100 ONLY

Inches (mm)  
All dimensions for reference only

## X-ON Electronics

Largest Supplier of Electrical and Electronic Components

*Click to view similar products for [D-Sub Backshells](#) category:*

*Click to view products by [Amphenol](#) manufacturer:*

Other Similar products are found below :

[173114-0084](#) [173112-1658](#) [600X51137X](#) [600X54009X](#) [66241-12A](#) [M85049/48-1-2](#) [M85049/48-3-5F](#) [M85049/6-38N](#) [M85049/86-12N03](#)  
[70.350.0636.4](#) [70.350.2435.1](#) [72.350.1035.2](#) [72.352.2435.1](#) [73.359.4035.3](#) [799-015TMH07M](#) [799-015TMH08N](#) [FKH1RE](#) [829472-1](#) [F-](#)  
[PHG-1E](#) [F-PHG-3E](#) [F-PHG-4E](#) [F-PHR-4E](#) [PCS-E20W](#) [8655MHRA0901KLF](#) [8655MHRA2501KLF](#) [958-009-010R011](#) [970-015-040R011](#)  
[970-025-030R121](#) [970-025-040R011](#) [971-009-030R121](#) [971-009-040R011](#) [971-015-040R011](#) [971-025-040R011](#) [GS85049/38-25M](#) [975T009-](#)  
[020R121](#) [975T015-020R121](#) [1-21986-2](#) [1-21986-5](#) [DB-20962](#) [DE-C8-J9-F4-1R](#) [DE-C8-J9-F5-1R](#) [DPH-B-003](#) [1437013-9](#) [1484402-8](#)  
[MS3057-10A](#) [156-3025-EX](#) [MS3417-16C](#) [16-500800](#) [165X02659X](#) [165X03329A](#)