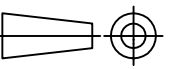


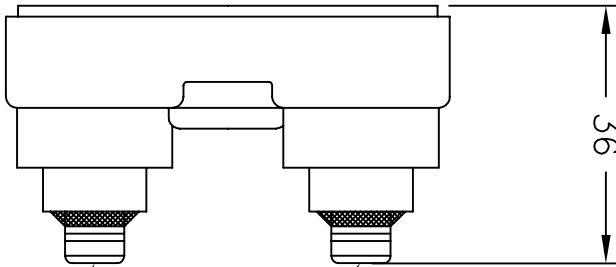
FOR A SPECIFIC PN FOR A RESISTANCE VALUE AND TOLERANCE, PLEASE REFER TO DMF.



MATERIAL		FINISH	
MM		ANGLES	
DIMENSIONS:		4 PLC ± -	
		3 PLC ± -	
		2 PLC ± 0.1	
		1 PLC ± 0.2	
		0 PLC ± 0.5	
TOLERANCES UNLESS OTHERWISE SPECIFIED:			

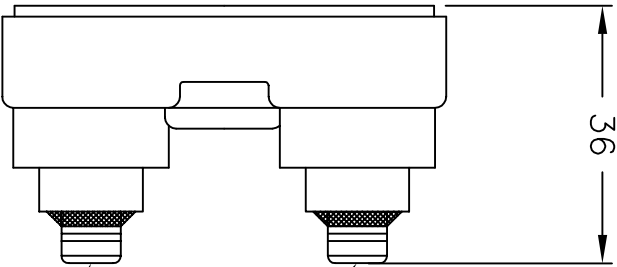
THIS DRAWING IS A CONTROLLED DOCUMENT.		DWN DAVE KENNEDY 03NOV05	
		CHK 04NOV05	
		APVD J CATCHPOLE 04NOV05	
Tyco Electronics Corporation Dorcan, Swindon, SN3 5HH		NAME	
BDS2A250 & BDS4B250		PRODUCT SPEC	
		APPLICATION SPEC	
		WEIGHT	
A3 00779 ©=1614770		SIZE	
CAGE CODE		DRAWING NO	
SCALE		SHEET	
NTS		1 OF 1	
REV		A	

BDS2A250

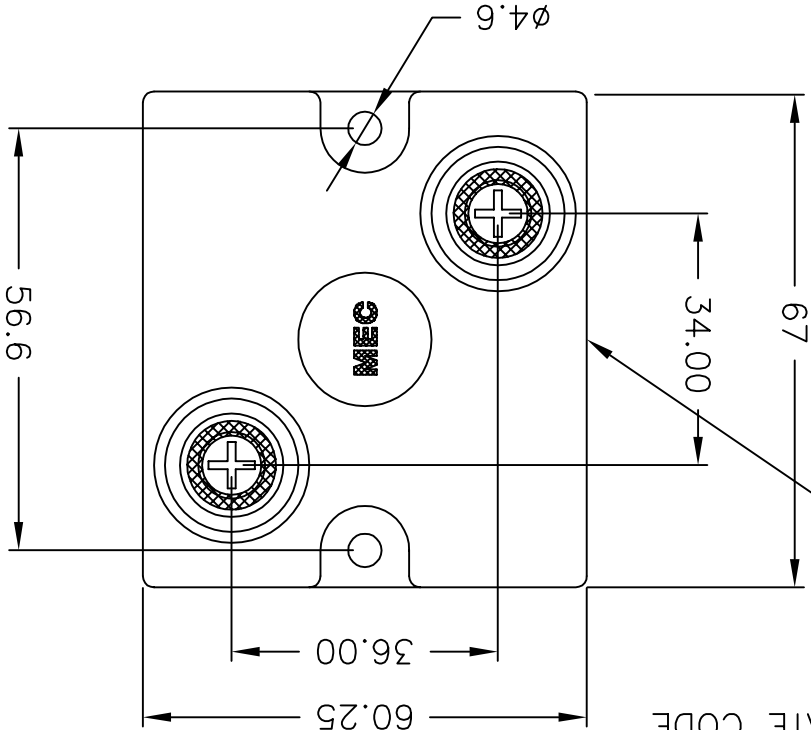


- 2 OFF M4 SCREWS
- 2 OFF M4 PLAIN WASHERS
- 2 OFF M4 SHAKEPROOF WASHERS

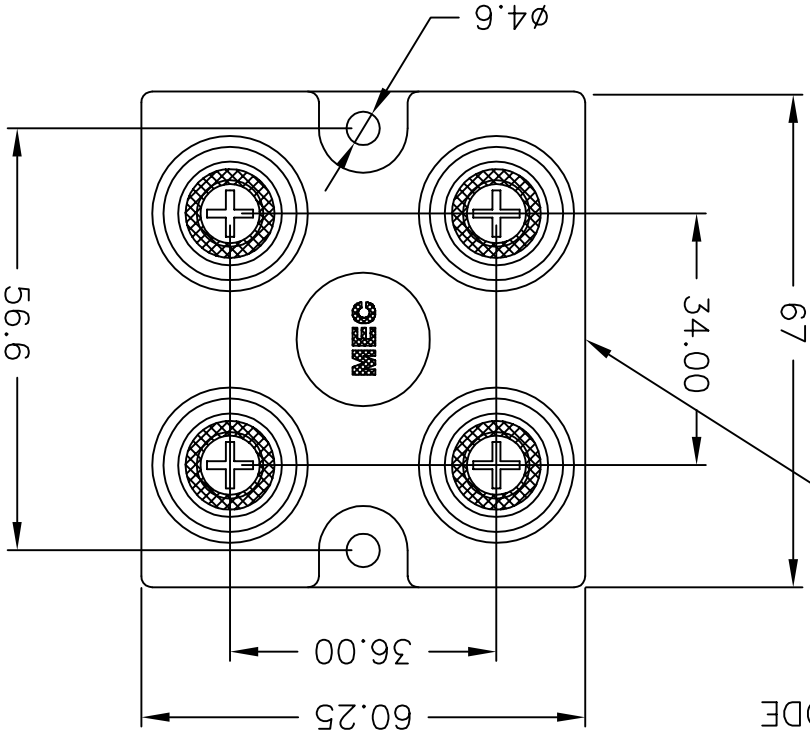
BDS4B250



- 4 OFF M4 SCREWS
- 4 OFF M4 PLAIN WASHERS
- 4 OFF M4 SHAKEPROOF WASHERS



CODE
TYCO PRODUCT CODE
VALUE, TOL, DATE



CODE
TYCO PRODUCT CODE
VALUE, TOL, DATE

REVISIONS		DESCRIPTION		DATE		DWN		APVD	
A		FIRST REVISION		04NOV05		DK		JC	

X-ON Electronics

Largest Supplier of Electrical and Electronic Components

Click to view similar products for [Planar Resistors - Chassis Mount](#) *category:*

Click to view products by [TE Connectivity](#) *manufacturer:*

Other Similar products are found below :

[LPS0300HR300JB](#) [20-100RP](#) [HVR10D2K0F](#) [HVR20C11MF](#) [HVR10D3M0J](#) [HVR30B82MF](#) [HVR10D25MK](#) [HVR30B500KF](#)
[BDS2A10033RK](#) [TAP800K68RE](#) [TGHHV15R0FE](#) [TL88J136C](#) [BA416775R0KE](#) [TL122KU221RE](#) [TGHDV100RJE](#) [TL71F9K40C](#)
[LPS0300HR560JB](#) [FPA100 47K J](#) [LPSA300H4R70JB](#) [LPSA300H10R0JB](#) [LPSA300H47R0JB](#) [LPSA300H1R00JB](#) [LPSA800H1R00JB](#)
[LPSA800H1000JB](#) [LPSA800H47R0JB](#) [LPSA300H1000JB](#) [LPSA800H10R0JB](#) [LPSA800H4R70JB](#) [504AS252KDG2](#) [TGHHV100RJE](#)
[TGHHV33R0JE](#) [TGHHV500RJE](#) [TGHHV5K00JE](#) [TGHHV5R00JE](#) [TGHHV680RJE](#) [TGHLV100RJE](#) [TGHLV150RJE](#) [TGHLV500RJE](#)
[TGHLV5K00JE](#) [HTS-14-12-40-3/4.8](#) [HTS-14-24-40-3/4.8](#) [HTS-15-230-100-1](#) [HTS-15-230-100-3/4.8](#) [HTS-15-230-100-3/6.3](#) [HTS-15-230-150-3/6.3](#) [FPA100 100R J](#) [FPA100 22R J](#) [FPA100 2R0 J](#) [FPA100 330R J](#) [FPA100 6K8 J](#)