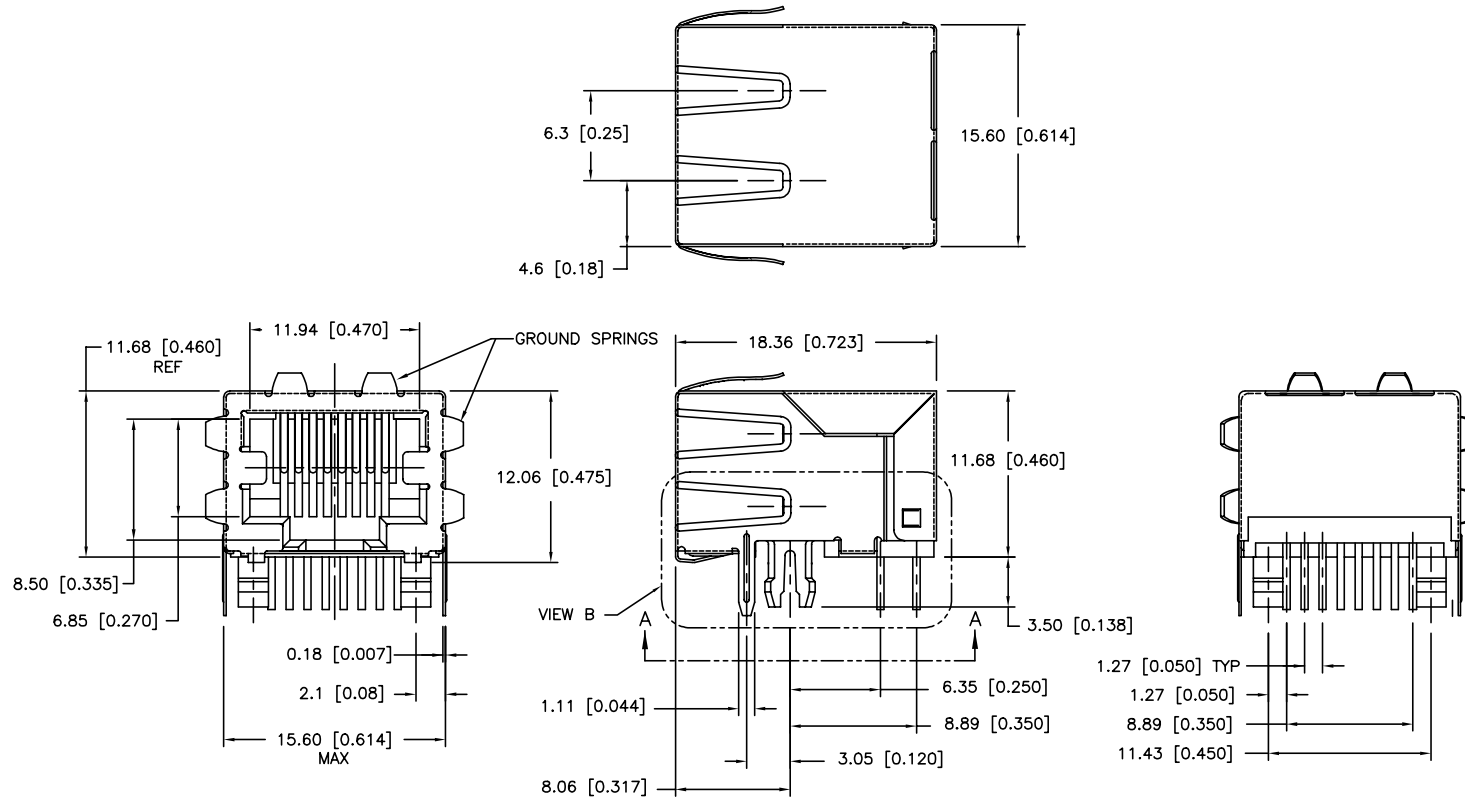


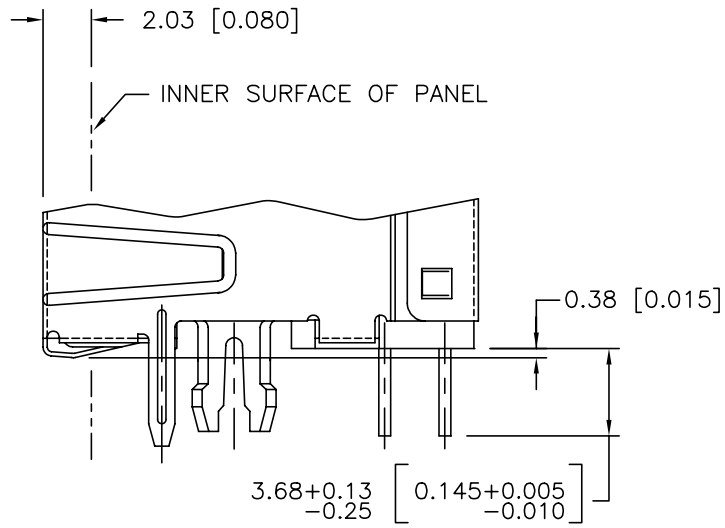
PRODUCT NO.
SEE TABLE



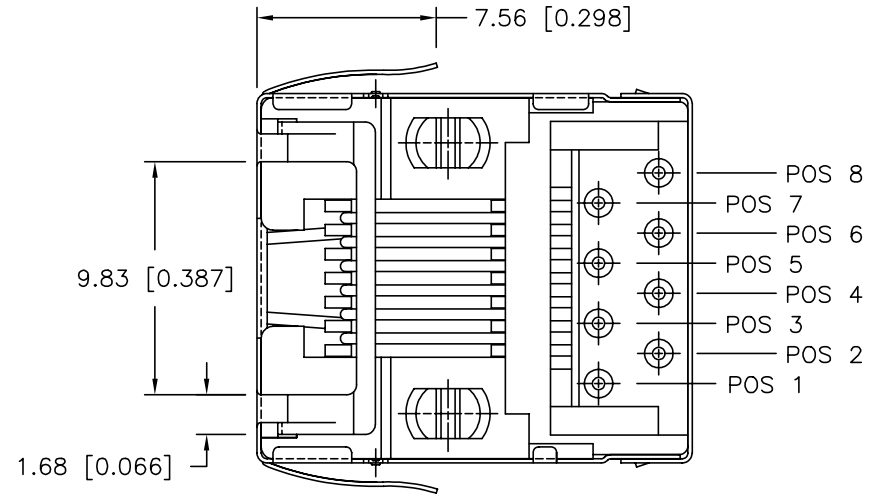
mat'l. code		surface		tolerance		projection		product family	
		ISO1302 ✓		ISO1101 ISO406				MOD JACK	
l trechn nodr		date		tolerances unless otherwise specified				title	
J	V00470 BKB	2/1/00		0.X±0.3		mm		8 POS LOW PROFILE PCB III	
K	V01040 CSP	6/1/00		0.XX±0.15				SHIELDED MODJACK ASSEMBLY	
L	V03-1103 PJ	10/18/03		0.XXX±0.05		scale 2.0			
M	M05-0066 ERE	04/15/05		dr G.HULL		5/28/96		dwg no	
N	ELX-N-010703 SH MM	3/14/12		eng Y.BELOPOLSKY		5/28/96		sheet 1 of 3	
				chr TONY CHIEN		5/28/96		size	
				app Y.BELOPOLSKY		5/28/96		A4	
sheet		revision		N		N		type	
index		sheet		1		2		Product Customer Drawing	



PRODUCT NO.
SEE TABLE



VIEW B



VIEW A-A

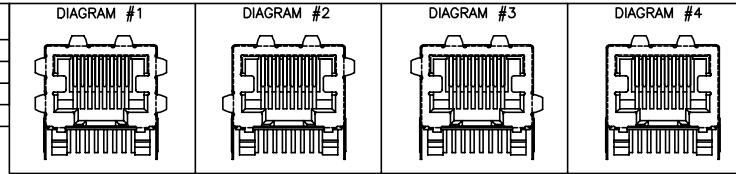
mat'l. code		surface <input checked="" type="checkbox"/> ISO1302		tolerance <input checked="" type="checkbox"/> ISO1101 <input checked="" type="checkbox"/> ISO406		projection		product family MOD JACK	
l trechn nodr		date		tolerances unless otherwise specified		mm		title	
J	V00470 BKB	2/1/00		angle $0.X \pm 0.3$		mm		8 POS LOW PROFILE PCB III	
K	V01040 CSP	6/1/00		0.XX ± 0.15		scale 2.0		SHIELDED MODJACK ASSEMBLY	
L	V03-1103 PJ	10/18/03		0' $\pm 2'$				dwg no	
M	M05-0066 ERE	04/15/05		dr G.HULL		5/28/96		sheet 2 of 3	
N	ELX-N-010703 SH MM	3/14/12		eng Y.BELOPOLSKY		5/28/96		size	
				chr TONY CHIEN		5/28/96		72231	
				app Y.BELOPOLSKY		5/28/96		A4	
sheet index		revision sheet		type		Product Customer Drawing			



PRODUCT NO.
SEE TABLE

PRODUCT NO.
72231-X8YZLF

CODE Z	GROUND SPRING CONFIGURATIONS
1	DIAGRAM #1
2	DIAGRAM #2
3	DIAGRAM #3
4	DIAGRAM #4

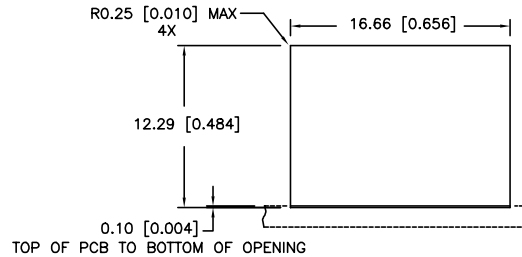


GROUND SPRING CONFIGURATIONS AS VIEWED FROM PORT SIDE

NOTE: PLEASE CHECK FOR AVAILABILITY, NOT ALL OPTIONS AVAILABLE.

OPTIONAL LOADING CODE Y	POSITIONS LOADED
4	3,4,5,6
6	2,3,4,5,6,7
8	ALL POS

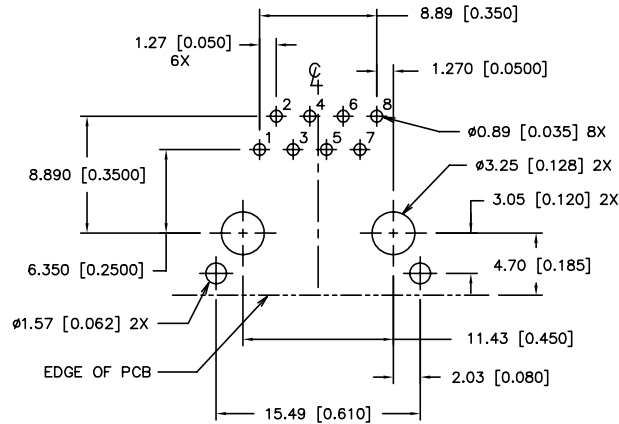
8 POSITION HOUSING



TOP OF PCB TO BOTTOM OF OPENING

RECOMMENDED PANEL OPENING

PLATING CODE X	PLATING ⑨
0	5u" Au + high performance lubricant
3	5u" Au + high performance lubricant
5	1.27um/50u" GXT OVER Ni



RECOMMENDED P.C.B. LAYOUT

AS VIEWED FROM TOP SIDE (COMPONENT SIDE)

NOTES:

1. RECOMMENDED P.C.B. THICKNESS 1.60 [0.063].
2. HOUSING MATL: HIGH TEMPERATURE THERMOPLASTIC MATERIAL, UL94V-0, COLOR BLACK.
3. CONTACTS MATL: PHOS BRONZE ALLOY ROUND WIRE. SEE TABLE FOR PLATING.
4. SHIELD MATL: PHOS BRONZE ALLOY, BRIGHT TIN PLATE OVER NICKEL UNDERPLATING PER BUS-15-002/M.
5. TWO LAYERS OF HIGH TEMP. INSULATING TAPE BETWEEN SHIELD AND SIGNAL CONTACTS.
- ⑥. LF SUFFIX AT THE END OF PART NUMBER IS LEAD FREE.
7. THE HOUSING WILL WITHSTAND EXPOSURE TO 260°C PEAK TEMPERATURE FOR 15 SECONDS IN A WAVE SOLDER APPLICATION WITH A 1.5mm MINIMUM THICK CIRCUIT BOARD. SEE APPLICATION NOTES/PROCEDURES IF THEY ARE AVAILABLE.
- ⑧. THIS PRODUCT MEETS EUROPEAN UNION DIRECTIVES AND OTHER COUNTRY REGULATION AS DESCRIBED IN GS-22-008.
- ⑨. PLATING OPTIONS: MAY BE EITHER GOLD OR GXT PLATED AT MANUFACTURER'S OPTION.

mat'l. code	surface	tolerance	projection	product family
l	ISO1302	ISO1101 ISO406		MOD JACK
tr	ec	no	dr	date
J	V00470	BKB	2/1/00	angle
K	V01040	CSP	6/1/00	0.X±0.3
L	V03-1103	PJ	10/18/03	0.XX±0.15
M	M05-0066	ERE	04/15/05	0.XXX±0.05
N	ELX-N-010703	SH	3/14/12	scale 2.0
				dwg no
				sheet 3 of 3
				size
				A4
				type
				Product Customer Drawing
sheet	revision			
index	sheet			



X-ON Electronics

Largest Supplier of Electrical and Electronic Components

Click to view similar products for [Modular Connectors / Ethernet Connectors](#) category:

Click to view products by [FCT Electronics](#) manufacturer:

Other Similar products are found below :

[RJE231881317T](#) [MP1010RX-1000](#) [MP44RX-1000](#) [GAX-3-66](#) [GAX-8-62](#) [93606-0253](#) [GD-A-44](#) [GDCX-PA-66-50](#) [GDCX-PN-64](#) [GDCX-PN-66](#) [GDCX-PN-66-50](#) [GDLX-A-66](#) [GDLX-A-88](#) [GDLX-N-66](#) [GDLX-S-88K](#) [GDTX-S-88-50](#) [GDX-PA-1010](#) [GLX-A-44](#) [GLX-N-1010M-BLK](#) [GLX-N-44M](#) [GLX-S-88M-BLK](#) [GMX-N-1010](#) [GMX-S-1010](#) [GMX-S-66](#) [GMX-SMT2-N-1010](#) [GMX-SMT2-N-64-50](#) [GMX-SMT2-S6-88](#) [GMX-SMT4-N-88](#) [GPX-2-64](#) [GRT1-BT1-5](#) [GSGX-N-2-88](#) [GSX-NS2-88-3.05](#) [GSX-NS2-88-3.05-50](#) [GSX-NS-88-3.05-30](#) [GSX-NS-88-3.05-50](#) [GSX-NS-88-3.68](#) [1-1775629-2](#) [GWLX-S-88-GR](#) [GWLX-S9-88-YG](#) [1300500326](#) [1300500227](#) [1300530003](#) [1300570002](#) [1324640-4](#) [RJ11FTVC2G](#) [RJ11FTVC2N](#) [RJFTVX2SA1G](#) [132764-001](#) [1400000](#) [1413176](#)