



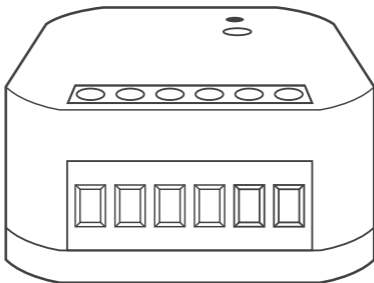
---

Shade

---

[www.getproxi.com](http://www.getproxi.com)

# Information about the rB-TSR1S2 module



## Use

Relay module for controlling a driver (e.g. of a blind) and for the connection of a dual momentary switch.

It is dedicated to devices such as blinds, shutters, awnings and projector screens etc.

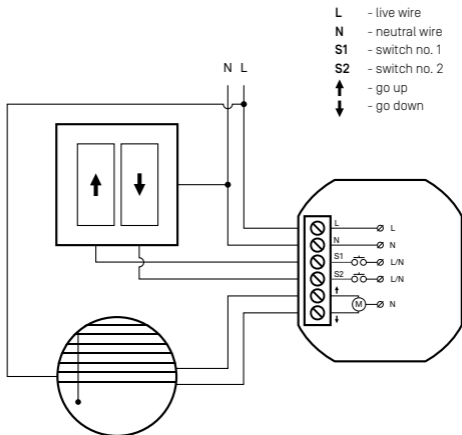
More information at [www.getproxi.com](http://www.getproxi.com).

## Operation

The module allows the connected device to be controlled via a smartphone as well as a traditional switch.

The Seed application can be downloaded for free from Google Play and the App Store and it runs on any smartphone equipped with Bluetooth 4.0 and iOS or Android version 4.3 or above.

# Connection schematic



## Montaż

1. Disconnect the power circuit and using an appropriate device, check that there is no voltage in the power circuit.
2. Connect the switch wires to the S1 and S2 contacts.
3. Connect the wires that control the blind driver to the appropriate module contacts as shown on the diagram.

4. Connect the live and neutral wires to the appropriate L and N contacts.
5. Insert the module into the junction box.
6. Connect the power supply.

If the module has been installed correctly, the blue diode on the module should blink.

# Technical data



<b>rated power</b>	AC 230 V / 50 Hz
<b>voltage range</b>	-20%, +10%
<b>rated power consumption</b>	1 W
<b>radio connection</b>	bluetooth 2,4 GHz
<b>signal strength</b>	1 mW
<b>transmission type</b>	two directional
<b>encoding</b>	yes
<b>number of relays</b>	2
<b>receivers</b>	0,6A AC-3 / AC 230 V
<b>input</b>	triggered by the L or N level, 2x contact
<b>controlling current</b>	<= 1 mA
<b>storage temperature</b>	-20°C, +50°C
<b>operating temperature</b>	0°C, +45°C
<b>humidity</b>	<= 85% (without water vapour condensation and corrosive gases)
<b>dimensions</b>	49 x 44 x 25 mm
<b>protection code</b>	IP 20
<b>type of housing</b>	junction box
<b>overheating protection</b>	yes
<b>autonomus mode</b>	yes

**Warranty** F&F products are guaranteed for 24 months from the date of purchase.



**F&F Filipowski sp. j.** ul. Konstantinowska  
79/81, 09-200 Pabianice POLAND  
tel./fax +48 42 2152383 [fif@fif.com.pl](mailto:fif@fif.com.pl),  
[www.fif.com.pl](http://www.fif.com.pl)

©2014 F&F Filipowski sp. j.  
All rights reserved.



# **X-ON Electronics**

Largest Supplier of  
Electrical and Electronic  
Components

*Click to view similar  
products for [Power  
Management IC Development  
Tools](#) category:*

*Click to view products by  
[F&F](#) manufacturer:*

Other Similar products are  
found below :

[EVAL6482H-DISC](#)

[EVAL-AD5522EBUZ](#)

[EVAL-ADM1060EBZ](#)

[EVAL-ADM1073MEBZ](#)

[EVAL-ADM1166TQEBZ](#)

[EVAL-ADM1168LQEBZ](#)

[EVAL-ADM1171EBZ](#)

[EVAL-ADM1276EBZ](#)

EVB-EN5319QI EVB-

EN5365QI EVB-

EN6347QI EVB-

EP5348UI

MIC23158YML EV

MIC23451-AAAYFL EV

MIC5281YMME EV

ADM00513 ADM8611-

EVALZ ADM8612-

EVALZ ADM8613-

EVALZ ADM8615-

EVALZ ADP1046ADC1-

EVALZ ADP1055-

EVALZ ADP122-3.3-

EVALZ ADP130-0.8-

EVALZ ADP130-1.2-

EVALZ ADP130-1.5-

EVALZ ADP130-1.8-



EVALZ ADP160UJZ-

REDYKIT ADP166UJ-

EVALZ ADP1712-3.3-

EVALZ ADP1714-3.3-

EVALZ ADP1715-3.3-

EVALZ ADP1716-2.5-

EVALZ ADP1740-1.5-

EVALZ ADP1752-1.5-

EVALZ ADP1754-1.5-

EVALZ ADP1828LC-

EVALZ ADP1870-0.3-

EVALZ ADP1871-0.6-

EVALZ ADP1873-0.6-

EVALZ ADP1874-0.3-

EVALZ ADP1876-

EVALZ ADP1879-1.0-

EVALZ ADP1882-1.0-

EVALZ ADP1883-0.6-

EVALZ ADP197CB-

EVALZ ADP199CB-

EVALZ ADP2102-1.25-

EVALZ ADP2102-1.2-

EVALZ ADP2102-

1.875EVALZ