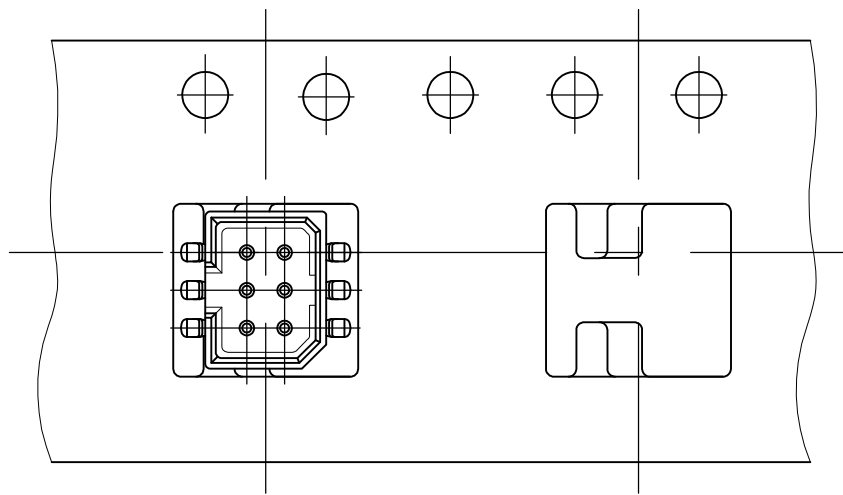
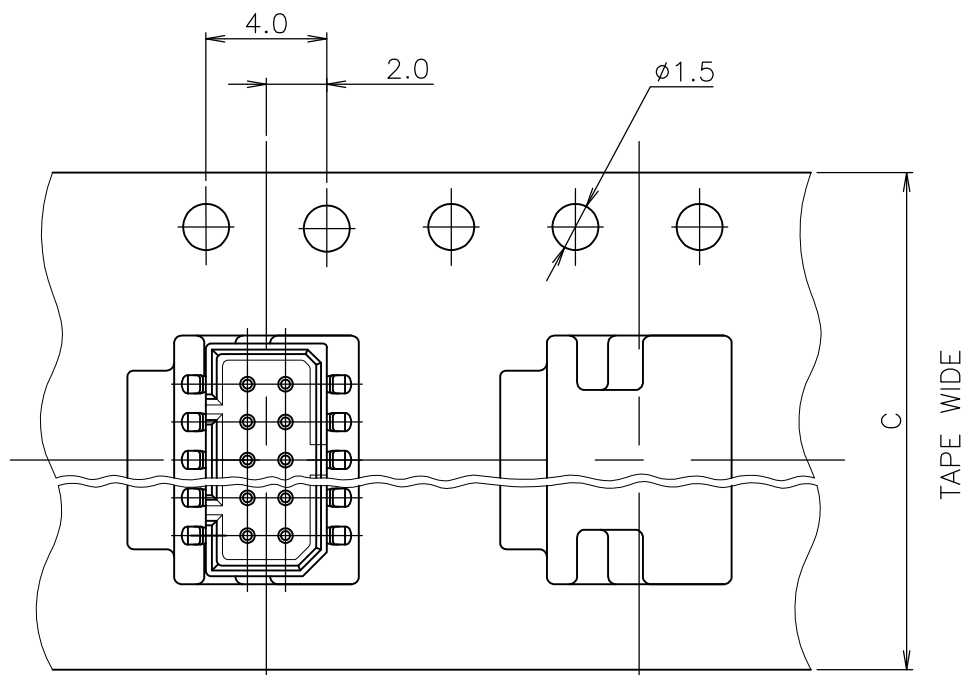
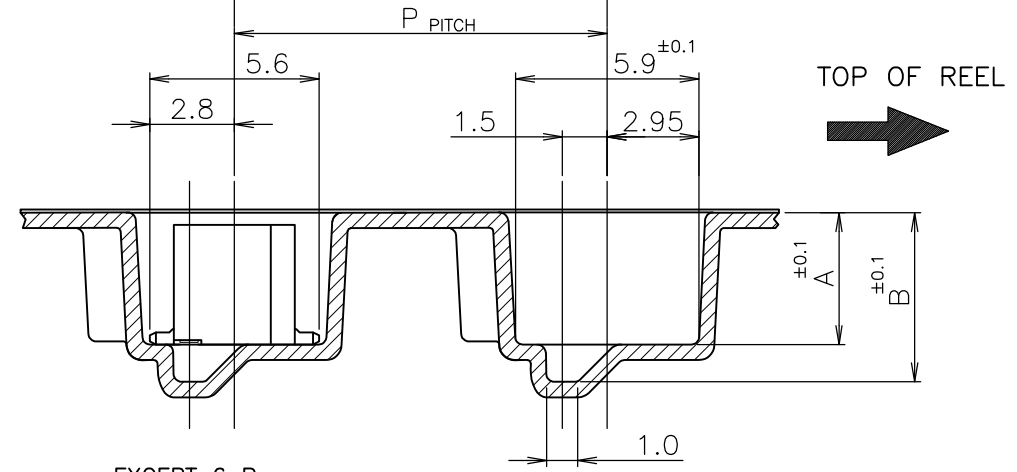


THIS DRAWING IS UNPUBLISHED. RELEASED FOR PUBLICATION  
 © COPYRIGHT By - ALL RIGHTS RESERVED.

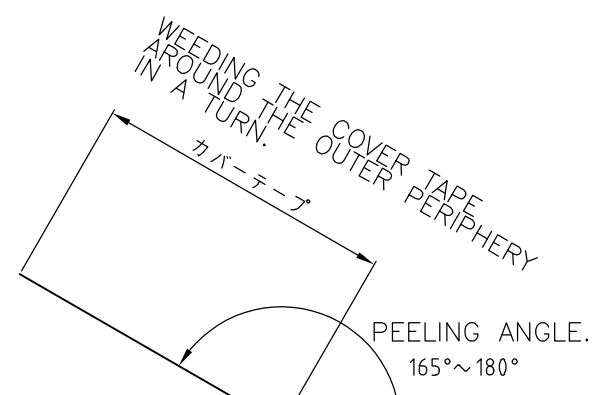
LOC	DIST	REVISIONS			
P	LTR	DESCRIPTION	DATE	DWN	APVD
J		H	REVISED PER ECR-14-014246	23SEP2014	I.T W.H



鉛フリー  
LEAD FREE

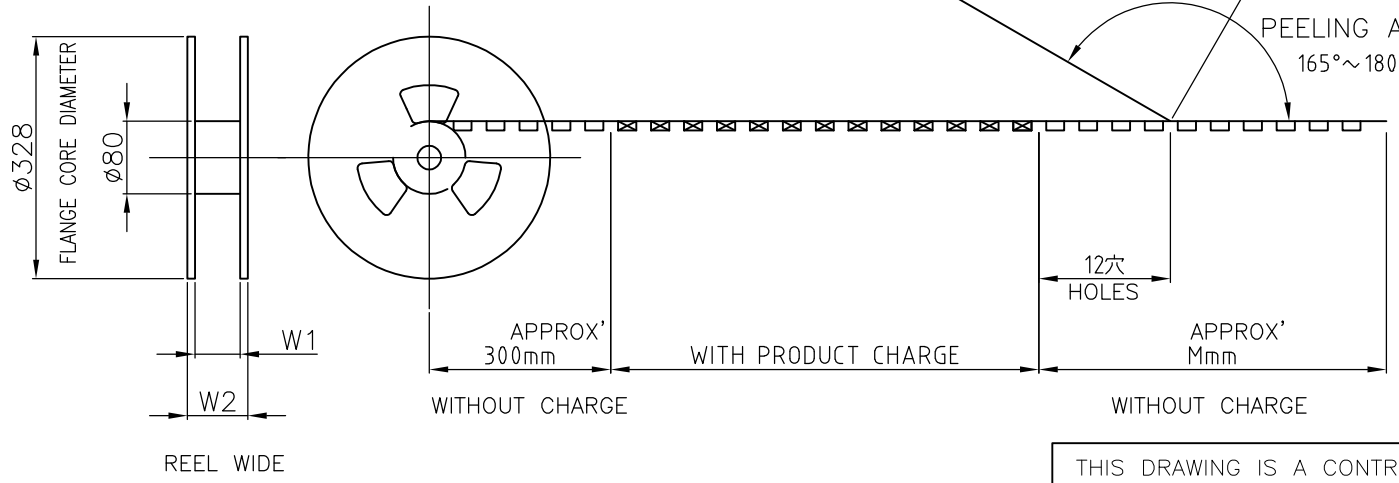


NOTE  
 1. PACKAGING SEPC:107-5123-5  
 2. OBSOLETE PARTS: OBSOLETE CIS STREAMLINING PER D.RENAUD/D.SINISI  
 3. OBSOLETE PARTS.



↑	↑	↑	↑	↑	↑	7.45	6.25	750	16	1-912054-8	7-	↑	-6	2	7	↑	-6
						↑	↑	↑	24	3-912051-4	5-		-4		5-		-4
									22	0-912055-3	5-		-2	2	5		-2
									20	3- ↑ -2	5-		-0		5-		-0
									18	912051-8	4-		-8		4-		-8
29	26					24			16	0-912055-2	4-		-6	3	4		-6
↑	↑					↑			12	↑ -2	4-		-2		4-		-2
									10	912051-1	4-		-0		4-		-0
21	18					16	5.45	4.25	1000	6	0-912055-1	3-		-6	3-		-6
↑	↑					↑	↑	↑	20	7-912075-1	2-		-0	2	2		-0
29	26	300	12	24	6.95	5.75	750	16	0-912055-4	1-174645-6							1-176891-6
W <sub>2</sub>	W <sub>1</sub>	M	P	C	B	A	数量 (ヶ) QTY/REEL	極数 Pos.	エンボステープ 型番 EMBOSS TAPE P/N	コネクタ型番 (パッケージ) CONNECTOR P/N							リール番 コネクタ型番 TAPING P/N

EXCEPT 6 Pos.



THIS DRAWING IS A CONTROLLED DOCUMENT.

DWN	E.CHIN	02NOV98
CHK	J.TANIGAWA	02NOV98
APVD	S.KUBOUCHI	02NOV98
PRODUCT SPEC	108-5246	
APPLICATION SPEC		
WEIGHT		

**STE** TE Connectivity

NAME: ON TAPING (EMBOSS) 1.25 F-P CONNECTOR (B-TO-B) DOUBLE ROW POST HDR ASS'Y SMT TYPE WITHOUT BOSS

SIZE: A3 CAGE CODE: 00779 DRAWING NO: C-176891 RESTRICTED TO: -

CUSTOMER DRAWING SCALE: SHEET 1 OF 2 REV H

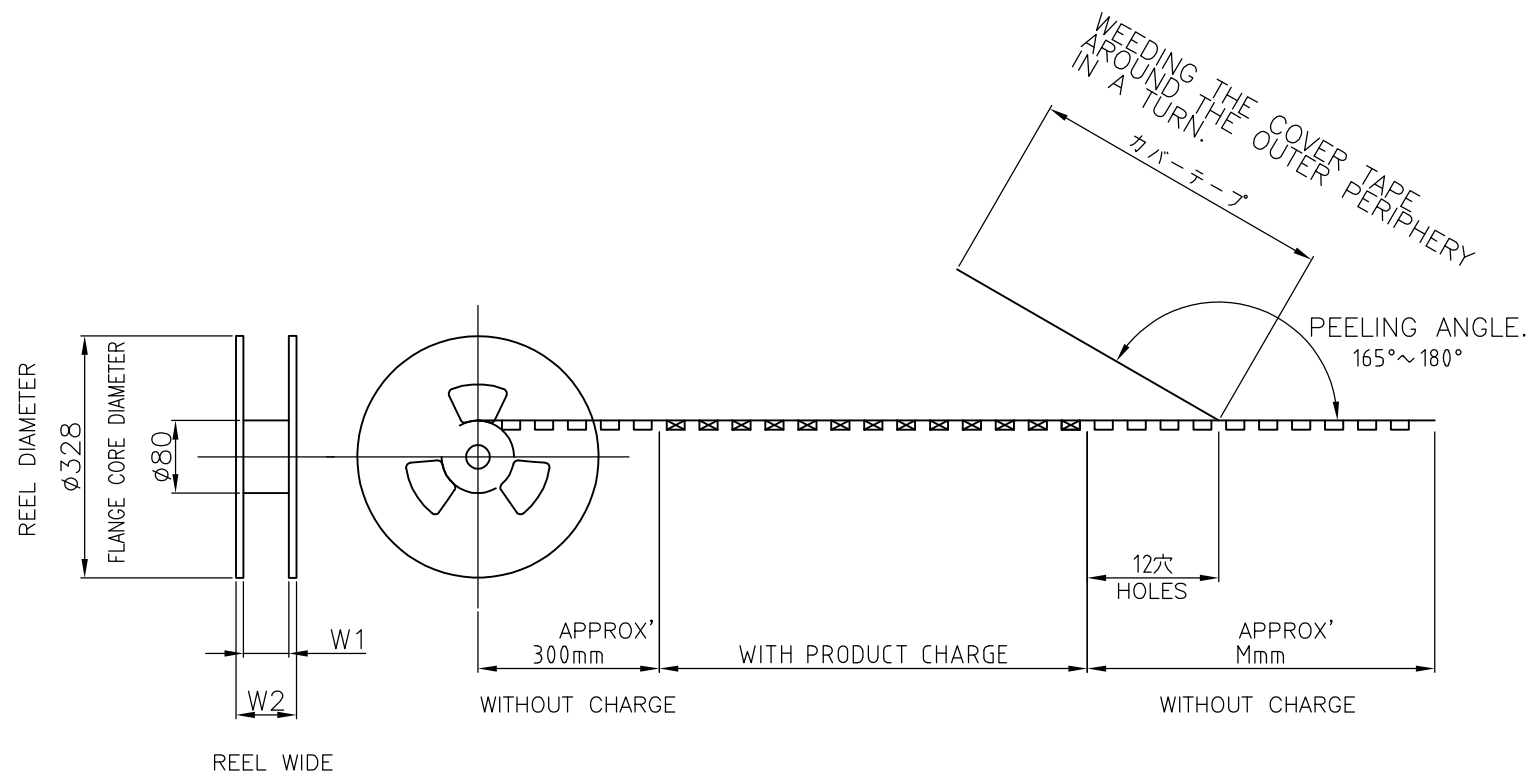
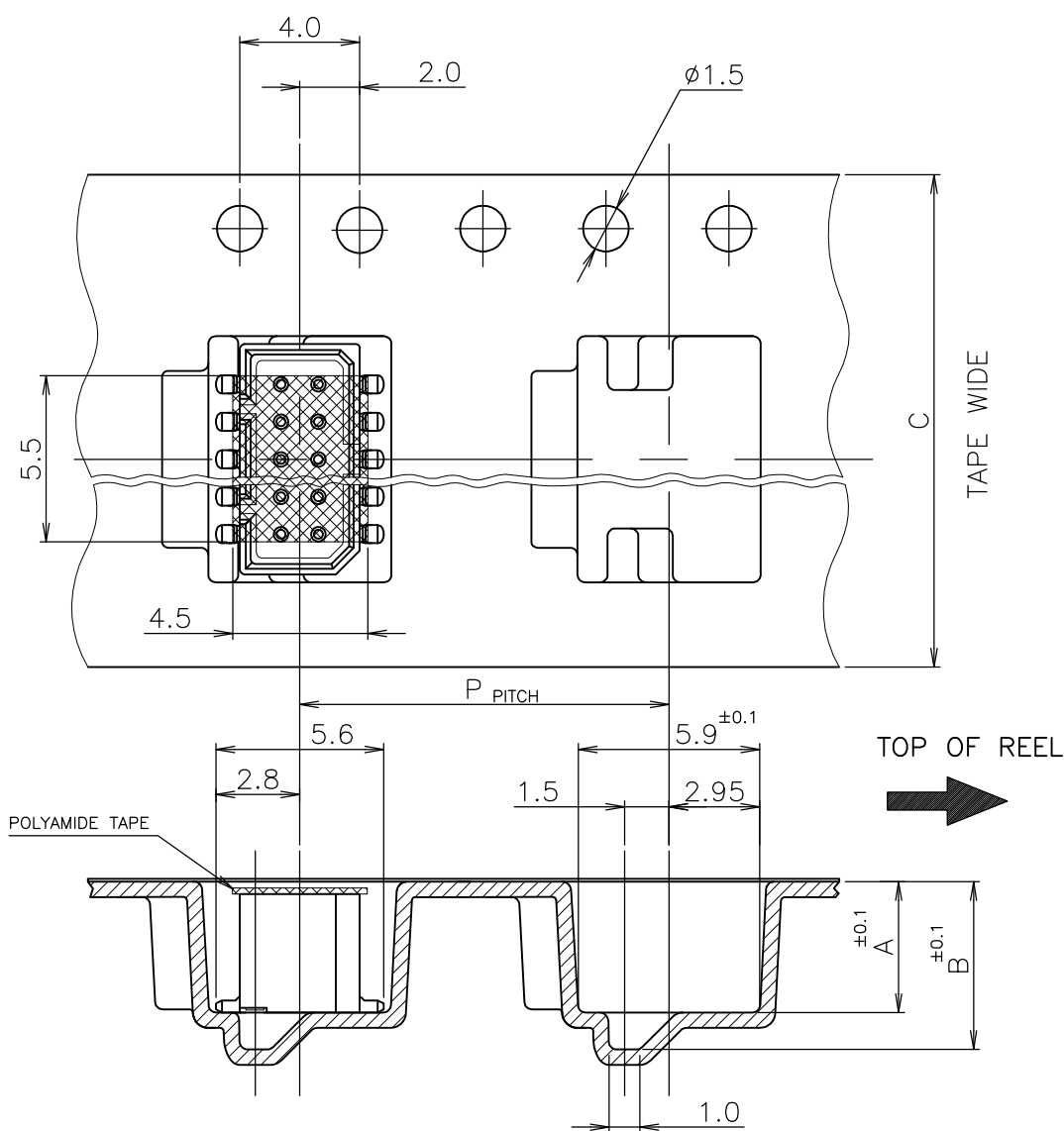
THIS DRAWING IS UNPUBLISHED.

RELEASED FOR PUBLICATION

© COPYRIGHT By -

ALL RIGHTS RESERVED.

LOC	DIST	REVISIONS					
J		P	LTR	DESCRIPTION	DATE	DWN	APVD
		-		SEE SHEET 1	-	-	-



29	26	↑	↑	24	↑	↑	↑	16	0-912055-2	4-	↑	-6	9-	↑	-6
21	18	300	12	24	5.45	4.25	1000	14	912051-4	4-174645-4			4-176891-4		
W <sub>2</sub>	W <sub>1</sub>	M	P	C	B	A	数量 (件) QTY/REEL	極数 Pos.	エンボステープ 型番 EMBOSS TAPE P/N	コネクタ型番 (ボス付) CONNECTOR P/N			リール番 コネクタ型番 TAPING P/N		

WITH POLYAMIDE TAPE

THIS DRAWING IS A CONTROLLED DOCUMENT.		DWN E.CHIN 02NOV98	<b>STE</b> TE Connectivity			
DIMENSIONS: mm		CHK J.TANIGAWA 02NOV98				
TOLERANCES UNLESS OTHERWISE SPECIFIED:		APVD S.KUBOUCHI 02NOV98	NAME ON TAPING (EMBOSS) 1.25 F-P CONNECTOR (B-TO-B) DOUBLE ROW POST HDR ASS'Y SMT TYPE WITHOUT BOSS			
0 PLC ± 1 PLC ± 2 PLC ± 3 PLC ± 4 PLC ± ANGLES ±		PRODUCT SPEC 108-5246	SIZE	CAGE CODE	DRAWING NO	RESTRICTED TO
MATERIAL		FINISH	A300779		C-176891	-
		WEIGHT	CUSTOMER DRAWING		SCALE	SHEET 2 OF 2
						REV H

## X-ON Electronics

Largest Supplier of Electrical and Electronic Components

*Click to view similar products for [Board to Board & Mezzanine Connectors](#) category:*

*Click to view products by [TE Connectivity](#) manufacturer:*

Other Similar products are found below :

[10135583-642402LF](#) [89885-310LF](#) [589158040000018](#) [6-1393048-0](#) [68683-613](#) [MDF7-12DP-2.54DSA](#) [MDF7-18P-2.54DSA\(01\)](#) [MDF7-20DP-2.54DSA](#) [MDF7-26D-2.54DSA\(55\)](#) [MDF7-3P-2.54DSA\(01\)](#) [MDF7B-3P-2.54DSA\(55\)](#) [MDF7C-11P-2.54DSA\(55\)](#) [MDF7C-18P-2.54DSA\(55\)](#) [MDF7C-5P-2.54DSA\(01\)](#) [MDF7P-5P-2.54DSA\(55\)](#) [75234-0516](#) [FCN-230C068-11](#) [FCN-268F012-G/BD](#) [FCN-268F036-G/BD](#) [FCN-268M012-G/0D](#) [FCN-268M024-G/1D](#) [FCN-360C008-C](#) [FCN-360C040-C](#) [FCN-723J004/1](#) [MIS-048-01-F-D-DP-K](#) [832-10-034-10-001000](#) [93696-325LF](#) [11828-1FA](#) [AXK630345P](#) [18097-0013](#) [ICA-328STT](#) [2007042-2](#) [304400-2](#) [FCN-214Q030-G/0](#) [FCN-215Q040-G/0](#) [FCN-230C068-ESA](#) [FCN-234P048-G/0](#) [FCN-235D050-G/C](#) [FCN-360A3](#) [FCN-360C040-B](#) [210-93-314-41-105000](#) [2-22603-0](#) [379-064-521-202](#) [MDF7-12P-2.54DSA\(01\)](#) [MDF7-16P-2.54DS\(56\)](#) [MDF7-40DP-2.54DSA\(55\)](#) [MDF7-8P-2.54DSA\(55\)](#) [MDF7B-16P-2.54DSA\(55\)](#) [AXG720047](#) [5031084030](#)