

# MC100EL91

## 5 V Triple PECL Input to -5 V ECL Output Translator

### Description

The MC100EL91 is a triple PECL input to ECL output translator. The device receives standard voltage differential PECL signals, determined by the  $V_{CC}$  supply level, and translates them to differential -5 V ECL output signals. (For translation of LVPECL to -3.3 V ECL output, see MC100LVEL91.)

To accomplish the level translation, the EL91 requires three power rails. The  $V_{CC}$  supply should be connected to the positive supply, and the  $V_{EE}$  pin should be connected to the negative power supply. The GND pins are connected to the system ground plane. Both  $V_{EE}$  and  $V_{CC}$  should be bypassed to ground via 0.01  $\mu\text{F}$  capacitors.

Under open input conditions, the  $\bar{D}$  input will be biased at  $V_{CC}/2$  and the D input will be pulled to GND. This condition will force the Q output to a low, ensuring stability.

The  $V_{BB}$  pin, an internally generated voltage supply, is available to this device only. For single-ended input conditions, the unused differential input is connected to  $V_{BB}$  as a switching reference voltage.  $V_{BB}$  may also rebias AC coupled inputs. When used, decouple  $V_{BB}$  and  $V_{CC}$  via a 0.01  $\mu\text{F}$  capacitor and limit current sourcing or sinking to 0.5 mA. When not used,  $V_{BB}$  should be left open.

### Features

- 670 ps Typical Propagation Delay
- ESD Protection: > 2 kV Human Body Model
- The 100 Series Contains Temperature Compensation
- Operating Range:
  - ◆  $V_{CC} = 4.75 \text{ V to } 5.5 \text{ V}$
  - ◆  $V_{EE} = -4.2 \text{ V to } -5.5 \text{ V}$ ; GND = 0 V
- Internal Input Pulldown Resistors
- Q Output will Default LOW with Inputs Open or at GND
- Meets or Exceeds JEDEC Spec EIA/JESD78 IC Latchup Test
- Moisture Sensitivity Level: 3 (Pb-Free)
  - ◆ For Additional Information, see Application Note [AND8003/D](#)
- Flammability Rating: UL 94 V-0 @ 0.125 in, Oxygen Index: 28 to 34
- Transistor Count = 282 devices
- These Devices are Pb-Free, Halogen Free and are RoHS Compliant



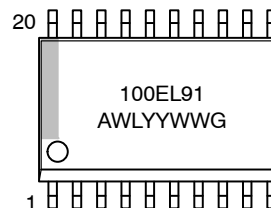
ON Semiconductor®

[www.onsemi.com](http://www.onsemi.com)



SOIC-20 WB  
DW SUFFIX  
CASE 751D-05

### MARKING DIAGRAM\*



A = Assembly Location  
WL = Wafer Lot  
YY = Year  
WW = Work Week  
G = Pb-Free Package

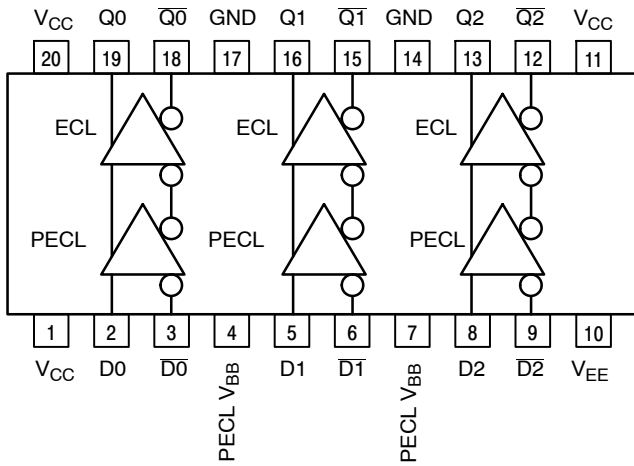
\*For additional marking information, refer to Application Note [AND8002/D](#).

### ORDERING INFORMATION

| Device         | Package                 | Shipping†        |
|----------------|-------------------------|------------------|
| MC100EL91DWG   | SOIC-20 WB<br>(Pb-Free) | 38 Units/Tube    |
| MC100EL91DWR2G | SOIC-20 WB<br>(Pb-Free) | 1000/Tape & Reel |

†For information on tape and reel specifications, including part orientation and tape sizes, please refer to our Tape and Reel Packaging Specifications Brochure, [BRD8011/D](#).

# MC100EL91



**Table 1. PIN DESCRIPTION**

| PIN                  | FUNCTION                      |
|----------------------|-------------------------------|
| Dn, $\overline{Dn}$  | PECL Inputs                   |
| Qn, $\overline{Qn}$  | ECL Outputs                   |
| PECL V <sub>BB</sub> | PECL Reference Voltage Output |
| V <sub>CC</sub>      | Positive Supply               |
| V <sub>EE</sub>      | Negative Supply               |
| GND                  | Ground                        |

\*\*All V<sub>CC</sub> pins are tied together on the die.

Warning: All V<sub>CC</sub>, V<sub>EE</sub>, and GND pins must be externally connected to Power Supply to guarantee proper operation.

**Figure 1. 20-Lead Pinout (Top View) and Logic Diagram**

**Table 2. MAXIMUM RATINGS**

| Symbol           | Parameter                                | Condition 1         | Condition 2                      | Rating      | Unit |
|------------------|--|---------------------|----------------------------------|-------------|------|
| V <sub>CC</sub>  | PECL Power Supply                        | GND = 0 V           |                                  | 8 to 0      | V    |
| V <sub>EE</sub>  | NECL Power Supply                        | GND = 0 V           |                                  | -8 to 0     | V    |
| V <sub>I</sub>   | PECL Input Voltage                       | GND = 0 V           | V <sub>I</sub> ≤ V <sub>CC</sub> | 6 to 0      | V    |
| I <sub>out</sub> | Output Current                           | Continuous Surge    |                                  | 50<br>100   | mA   |
| I <sub>BB</sub>  | PECL V <sub>BB</sub> Sink/Source         |                     |                                  | ± 0.5       | mA   |
| T <sub>A</sub>   | Operating Temperature Range              |                     |                                  | -40 to +85  | °C   |
| T <sub>stg</sub> | Storage Temperature Range                |                     |                                  | -65 to +150 | °C   |
| θ <sub>JA</sub>  | Thermal Resistance (Junction-to-Ambient) | 0 lfpm<br>500 lfpm  | SOIC-20 WB                       | 90<br>60    | °C/W |
| θ <sub>JC</sub>  | Thermal Resistance (Junction-to-Case)    | Standard Board      | SOIC-20 WB                       | 30 to 35    | °C/W |
| T <sub>sol</sub> | Wave Solder (Pb-Free)                    | <2 to 3 sec @ 248°C |                                  | 265         | °C   |

Stresses exceeding those listed in the Maximum Ratings table may damage the device. If any of these limits are exceeded, device functionality should not be assumed, damage may occur and reliability may be affected.

# MC100EL91

**Table 3. PECL INPUT DC CHARACTERISTICS** ( $V_{CC} = 5.0\text{ V}$ ;  $V_{EE} = -5.0\text{ V}$ ;  $GND = 0\text{ V}$  (Note 1))

| Symbol        | Characteristic  | -40°C      |     |            | 25°C       |     |            | 85°C       |     |            | Unit          |
|---------------|---|------------|-----|------------|------------|-----|------------|------------|-----|------------|---------------|
|               |   | Min        | Typ | Max        | Min        | Typ | Max        | Min        | Typ | Max        |               |
| $I_{CC}$      | $V_{CC}$ Power Supply Current   |            |     | 11         |            | 6   | 11         |            |     | 11         | mA            |
| $V_{IH}$      | Input HIGH Voltage (Single-Ended)   | 3835       |     | 4120       | 3835       |     | 4120       | 3835       |     | 4120       | mV            |
| $V_{IL}$      | Input LOW Voltage (Single-Ended)  | 3190       |     | 3525       | 3190       |     | 3525       | 3190       |     | 3525       | mV            |
| PECL $V_{BB}$ | Output Voltage Reference  | 3.62       |     | 3.74       | 3.62       |     | 3.74       | 3.62       |     | 3.74       | V             |
| $V_{IHCMR}$   | Input HIGH Voltage Common Mode Range (Differential) (Note 2)<br>$V_{PP} < 500\text{ mV}$<br>$V_{PP} \geq 500\text{ mV}$ | 1.3<br>1.5 |     | 4.8<br>4.8 | 1.2<br>1.4 |     | 4.8<br>4.8 | 1.2<br>1.4 |     | 4.8<br>4.8 | V             |
| $I_{IH}$      | Input HIGH Current  |            |     | 150        |            |     | 150        |            |     | 150        | $\mu\text{A}$ |
| $I_{IL}$      | Input LOW Current   | 0.5        |     |            | 0.5        |     |            | 0.5        |     |            | $\mu\text{A}$ |

NOTE: Device will meet the specifications after thermal equilibrium has been established when mounted in a test socket or printed circuit board with maintained transverse airflow greater than 500 lfm. Electrical parameters are guaranteed only over the declared operating temperature range. Functional operation of the device exceeding these conditions is not implied. Device specification limit values are applied individually under normal operating conditions and not valid simultaneously.

1. Input parameters vary 1:1 with  $V_{CC}$ .  $V_{CC} = +4.75\text{ V}$  to  $+5.2\text{ V}$ ,  $V_{EE} = -4.20\text{ V}$  to  $-5.5\text{ V}$ .
2.  $V_{IHCMR}$  min varies 1:1 with  $GND$ .  $V_{IHCMR}$  max varies 1:1 with  $V_{CC}$ .

**Table 4. NECL OUTPUT DC CHARACTERISTICS** ( $V_{CC} = 5.0\text{ V}$  to  $5.0\text{ V}$ ;  $V_{EE} = -5.0\text{ V}$ ;  $GND = 0\text{ V}$  (Note 1))

| Symbol   | Characteristic                | -40°C |       |       | 25°C  |       |       | 85°C  |       |       | Unit |
|----------|-------------------------------|-------|-------|-------|-------|-------|-------|-------|-------|-------|------|
|          |                               | Min   | Typ   | Max   | Min   | Typ   | Max   | Min   | Typ   | Max   |      |
| $I_{EE}$ | $V_{EE}$ Power Supply Current |       |       | 28    |       | 22    | 28    |       |       | 30    | mA   |
| $V_{OH}$ | Output HIGH Voltage (Note 2)  | -1085 | -1005 | -880  | -1025 | -955  | -880  | -1025 | -955  | -880  | mV   |
| $V_{OL}$ | Output LOW Voltage (Note 2)   | -1830 | -1695 | -1555 | -1810 | -1705 | -1620 | -1810 | -1705 | -1620 | mV   |

NOTE: Device will meet the specifications after thermal equilibrium has been established when mounted in a test socket or printed circuit board with maintained transverse airflow greater than 500 lfm. Electrical parameters are guaranteed only over the declared operating temperature range. Functional operation of the device exceeding these conditions is not implied. Device specification limit values are applied individually under normal operating conditions and not valid simultaneously.

1. Output parameters vary 1:1 with  $GND$ .  $V_{CC} = +4.75\text{ V}$  to  $+5.2\text{ V}$ ,  $V_{EE} = -4.20\text{ V}$  to  $-5.5\text{ V}$ .
2. Outputs are terminated through a  $50\ \Omega$  resistor to  $GND - 2.0\text{ V}$

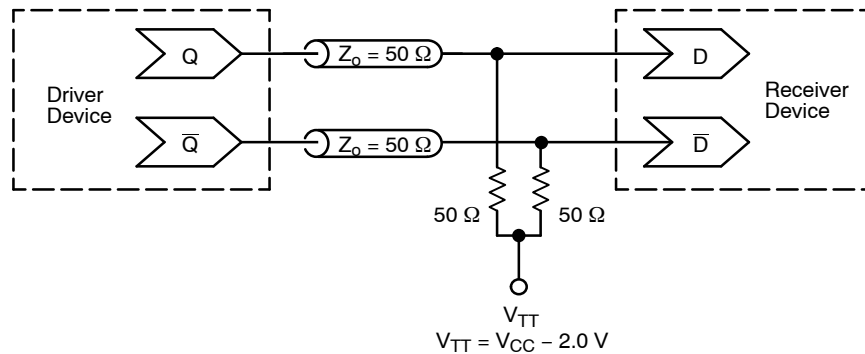
# MC100EL91

**Table 5. AC CHARACTERISTICS** ( $V_{CC} = 5.0\text{ V}$ ;  $V_{EE} = -5.0\text{ V}$ ;  $GND = 0\text{ V}$  (Note 4))

| Symbol                 | Characteristic   | -40°C      |            |            | 25°C       |            |            | 85°C       |            |            | Unit    |
|------------------------|--|------------|------------|------------|------------|------------|------------|------------|------------|------------|---------|
|                        |  | Min        | Typ        | Max        | Min        | Typ        | Max        | Min        | Typ        | Max        |         |
| $f_{max}$              | Maximum Toggle Frequency   |            | 700        |            |            | 700        |            |            | 700        |            | MHz     |
| $t_{PLH}$<br>$t_{PHL}$ | Propagation Delay D to Q<br>Differential<br>Single-Ended.  | 540<br>490 | 640<br>640 | 740<br>790 | 570<br>520 | 670<br>670 | 770<br>820 | 610<br>560 | 710<br>710 | 810<br>860 | ps      |
| $t_{SKEW}$             | Skew<br>Output-to-Output (Note 1)<br>Part-to-Part (Differential) (Note 1)<br>Cycle (Differential) (Note 2) |            | 40<br>25   | 100<br>200 |            | 40<br>25   | 100<br>200 |            | 40<br>25   | 100<br>200 | ps      |
| $t_{JITTER}$           | Random Clock Jitter @ 700 MHz  |            | 1.2        |            |            | 1.2        |            |            | 1.2        |            | pS(RMS) |
| $V_{PP}$               | Input Swing (Note 3)   | 200        |            | 1000       | 200        |            | 1000       | 200        |            | 1000       | mV      |
| $t_r$<br>$t_f$         | Output Rise/Fall Times Q<br>(20% - 80%)  | 270        | 400        | 530        | 270        | 400        | 530        | 270        | 400        | 530        | ps      |

NOTE: Device will meet the specifications after thermal equilibrium has been established when mounted in a test socket or printed circuit board with maintained transverse airflow greater than 500 lpm. Electrical parameters are guaranteed only over the declared operating temperature range. Functional operation of the device exceeding these conditions is not implied. Device specification limit values are applied individually under normal operating conditions and not valid simultaneously.

1. Skews are valid across specified voltage range, part-to-part skew is for a given temperature.
2. Duty cycle skew is the difference between a  $t_{PLH}$  and  $t_{PHL}$  propagation delay through a device.
3.  $V_{PP}(\text{min})$  is the minimum input swing for which AC parameters are guaranteed. The device has a DC gain of  $\approx 40$ .
4.  $V_{CC} = +4.75\text{ V}$  to  $+5.2\text{ V}$ ,  $V_{EE} = -4.20\text{ V}$  to  $-5.5\text{ V}$ . Outputs are terminated through a  $50\ \Omega$  resistor to  $GND - 2.0\text{ V}$ .



**Figure 2. Typical Termination for Output Driver and Device Evaluation**  
(See Application Note [AND8020/D](#) – Termination of ECL Logic Devices.)

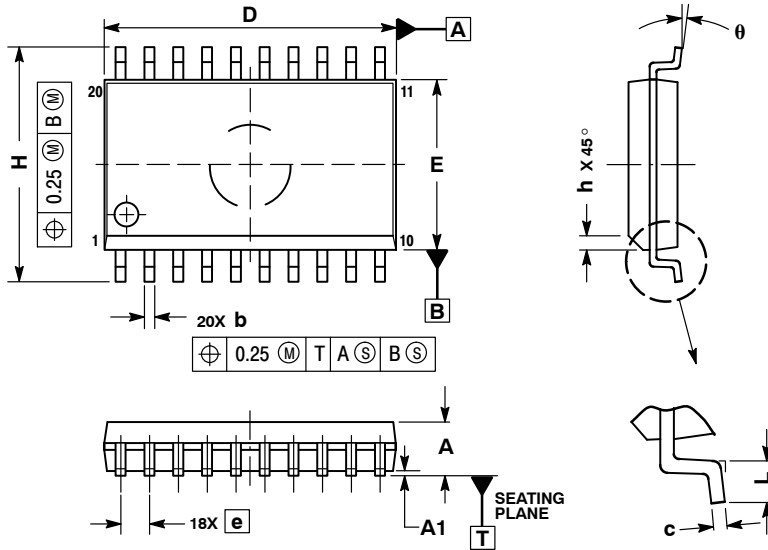
### Resource Reference of Application Notes

- AN1405/D** – ECL Clock Distribution Techniques
- AN1406/D** – Designing with PECL (ECL at +5.0 V)
- AN1503/D** – ECLinPS™ I/O SPICE Modeling Kit
- AN1504/D** – Metastability and the ECLinPS Family
- AN1568/D** – Interfacing Between LVDS and ECL
- AN1672/D** – The ECL Translator Guide
- AND8001/D** – Odd Number Counters Design
- AND8002/D** – Marking and Date Codes
- AND8020/D** – Termination of ECL Logic Devices
- AND8066/D** – Interfacing with ECLinPS
- AND8090/D** – AC Characteristics of ECL Devices

# MC100EL91

## PACKAGE DIMENSIONS

SOIC-20 WB  
CASE 751D-05  
ISSUE H

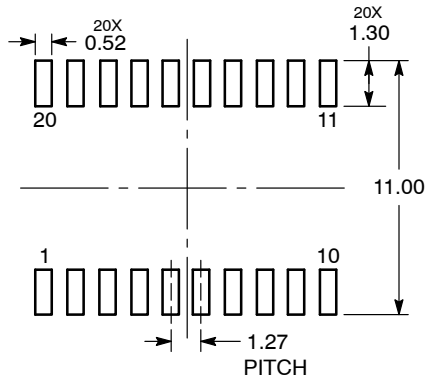


NOTES:

1. DIMENSIONS ARE IN MILLIMETERS.
2. INTERPRET DIMENSIONS AND TOLERANCES PER ASME Y14.5M, 1994.
3. DIMENSIONS D AND E DO NOT INCLUDE MOLD PROTRUSION.
4. MAXIMUM MOLD PROTRUSION 0.15 PER SIDE.
5. DIMENSION B DOES NOT INCLUDE DAMBAR PROTRUSION. ALLOWABLE PROTRUSION SHALL BE 0.13 TOTAL IN EXCESS OF B DIMENSION AT MAXIMUM MATERIAL CONDITION.

| MILLIMETERS |          |       |
|-------------|----------|-------|
| DIM         | MIN      | MAX   |
| A           | 2.35     | 2.65  |
| A1          | 0.10     | 0.25  |
| b           | 0.35     | 0.49  |
| c           | 0.23     | 0.32  |
| D           | 12.65    | 12.95 |
| E           | 7.40     | 7.60  |
| e           | 1.27 BSC |       |
| H           | 10.05    | 10.55 |
| h           | 0.25     | 0.75  |
| L           | 0.50     | 0.90  |
| θ           | 0°       | 7°    |

### RECOMMENDED SOLDERING FOOTPRINT\*



DIMENSIONS: MILLIMETERS

\*For additional information on our Pb-Free strategy and soldering details, please download the ON Semiconductor Soldering and Mounting Techniques Reference Manual, [SOLDERRM/D](#).

ECLinPS is a registered trademark of Semiconductor Components Industries, LLC (SCILLC) or its subsidiaries in the United States and/or other countries.

ON Semiconductor and are trademarks of Semiconductor Components Industries, LLC dba ON Semiconductor or its subsidiaries in the United States and/or other countries. ON Semiconductor owns the rights to a number of patents, trademarks, copyrights, trade secrets, and other intellectual property. A listing of ON Semiconductor's product/patent coverage may be accessed at [www.onsemi.com/site/pdf/Patent-Marking.pdf](http://www.onsemi.com/site/pdf/Patent-Marking.pdf). ON Semiconductor reserves the right to make changes without further notice to any products herein. ON Semiconductor makes no warranty, representation or guarantee regarding the suitability of its products for any particular purpose, nor does ON Semiconductor assume any liability arising out of the application or use of any product or circuit, and specifically disclaims any and all liability, including without limitation special, consequential or incidental damages. Buyer is responsible for its products and applications using ON Semiconductor products, including compliance with all laws, regulations and safety requirements or standards, regardless of any support or applications information provided by ON Semiconductor. "Typical" parameters which may be provided in ON Semiconductor data sheets and/or specifications can and do vary in different applications and actual performance may vary over time. All operating parameters, including "Typicals" must be validated for each customer application by customer's technical experts. ON Semiconductor does not convey any license under its patent rights nor the rights of others. ON Semiconductor products are not designed, intended, or authorized for use as a critical component in life support systems or any FDA Class 3 medical devices or medical devices with a same or similar classification in a foreign jurisdiction or any devices intended for implantation in the human body. Should Buyer purchase or use ON Semiconductor products for any such unintended or unauthorized application, Buyer shall indemnify and hold ON Semiconductor and its officers, employees, subsidiaries, affiliates, and distributors harmless against all claims, costs, damages, and expenses, and reasonable attorney fees arising out of, directly or indirectly, any claim of personal injury or death associated with such unintended or unauthorized use, even if such claim alleges that ON Semiconductor was negligent regarding the design or manufacture of the part. ON Semiconductor is an Equal Opportunity/Affirmative Action Employer. This literature is subject to all applicable copyright laws and is not for resale in any manner.

### PUBLICATION ORDERING INFORMATION

**LITERATURE FULFILLMENT:**

Literature Distribution Center for ON Semiconductor  
19521 E. 32nd Pkwy, Aurora, Colorado 80011 USA  
Phone: 303-675-2175 or 800-344-3860 Toll Free USA/Canada  
Fax: 303-675-2176 or 800-344-3867 Toll Free USA/Canada  
Email: [orderlit@onsemi.com](mailto:orderlit@onsemi.com)

**N. American Technical Support:** 800-282-9855 Toll Free  
USA/Canada  
**Europe, Middle East and Africa Technical Support:**  
Phone: 421 33 790 2910  
**Japan Customer Focus Center**  
Phone: 81-3-5817-1050

**ON Semiconductor Website:** [www.onsemi.com](http://www.onsemi.com)

**Order Literature:** <http://www.onsemi.com/orderlit>

For additional information, please contact your local Sales Representative

## X-ON Electronics

Largest Supplier of Electrical and Electronic Components

*Click to view similar products for [Translation - Voltage Levels](#) category:*

*Click to view products by [ON Semiconductor](#) manufacturer:*

Other Similar products are found below :

[NLJVHC1GT08DFT2G](#) [NLSX4373DMR2G](#) [NLSX5012MUTAG](#) [HV583GA-G](#) [MC10H641FNR2G](#) [NLSX0102FCT1G](#) [NLSX0102FCT2G](#)  
[NLSX4302EBMUTCG](#) [NLVSX4373DR2G](#) [PCA9306FMUTAG](#) [SY10H351JZ](#) [MC100EPT622MNG](#) [MAX9376EUB+T](#) [MAX9374AEKA+T](#)  
[MAX3378EETD+](#) [MAX34405BEZT+](#) [NLSX3014MUTAG](#) [NVT4556BUKZ](#) [NLSV4T244EMUTAG](#) [NLSX5011MUTCG](#) [NLV9306USG](#)  
[NLVSX4014MUTAG](#) [MAX34405BEZT+T](#) [NLSV4T3144MUTAG](#) [NSV12200LT1G](#) [NLVSX4373MUTAG](#) [NB3U23CMNTAG](#)  
[MAX3371ELT+T](#) [MAX3008EUP+T](#) [NLVPCA9306AMUTCG](#) [NLSX3013BFCT1G](#) [MAX9378EUA+T](#) [NLV7WBD3125USG](#)  
[NLV14504BDTG](#) [NLSX3012DMR2G](#) [NLSX5012DR2G](#) [MAX3391EEUD+T](#) [MAX3379EETD+](#) [PI4ULS3V4857GEAEX](#)  
[MAX3391EEBC+T](#) [MAX14842ATE+T](#) [74AVCH1T45FZ4-7](#) [CLVC16T245MDGGREP](#) [HEF4104BT](#) [TC74LCX16245\(EL,F\)](#)  
[MC10H124FNG](#) [CAVCB164245MDGGREP](#) [7WBD383USG](#) [NVT2001GM,115](#) [CLVC8T245MRHLTEP](#)