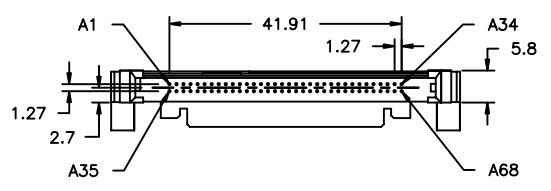
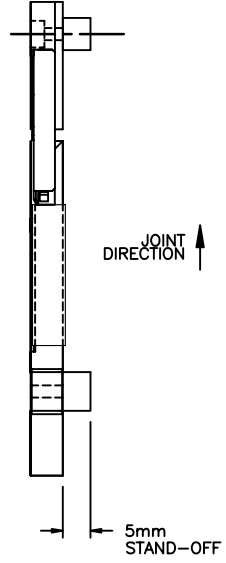
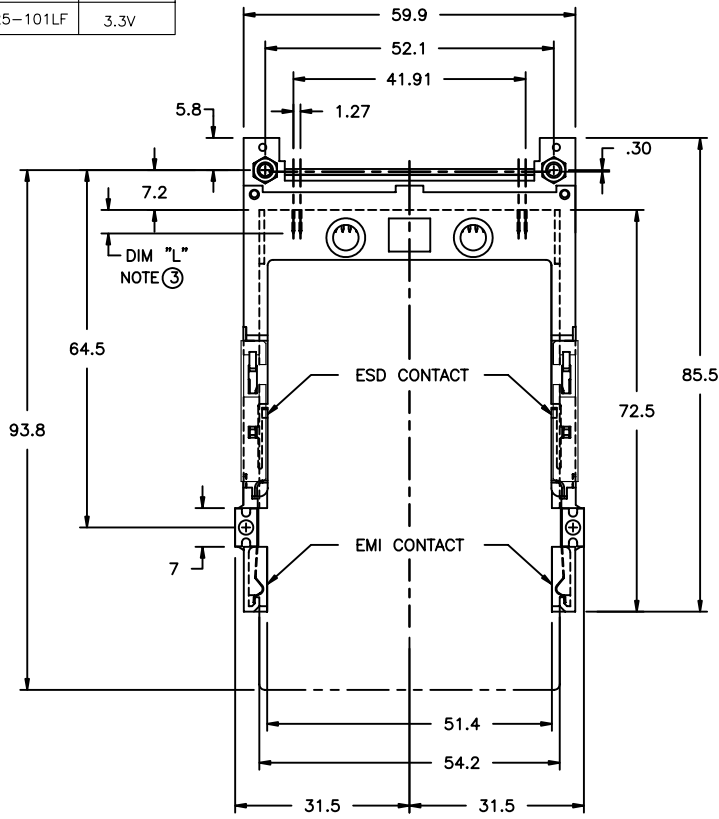


PRODUCT NO.	NOTE
72325-001	5.0V
72325-001LF	5.0V
72325-101	3.3V
72325-101LF	3.3V



NOTES:

- HEADER ASSY**
 PLASTIC: HOUSING - LCP UL94V-0 BLACK - ABOVE PCB
 PIN: PHOSPHOR BRONZE
GUIDE MECHANISM ASSY
 PLASTIC: GUIDE - POLYPHTHARAMID UL94V-0 BLACK
 COVER PLATE: STAINLESS STEEL
 EMI CONTACT: PHOSPHOR BRONZE
- FINISH - PIN**
 UNDER PLATING: 0.5um Ni
 CONTACT AREA: 0.1um GOLD OVER
 0.5um Pd-Ni
 SOLDER TAIL(TIN LEAD OPTION): 2.5um Sn-Pb
 SOLDER TAIL(LEAD FREE OPTION): 2.5um PURE TIN
- DIM "L"**

	4.25±.1	3.5±.1	5.0±.1
OTHERS	36,67	1,17,34,35,51,68	
- RECOMMENDED HOLD DOWN - 2mm SCREWS**
 95121 AND 2mm NUTS 92869.
 SEE FOR CHARTED INFORMATION.
 RECOMMENDED SCREW TORQUE: 1.0 TO 1.5 MAX in-lbs. (1.2-1.7 cm-kgs).
- SEE TA-1052 FOR PCB LAYOUT.
- MATING CONNECTOR: 91931-31169. MUST BE PURCHASED SEPARATELY.
- IF LEAD FREE P.N.THE HOUSING WILL WITHSTAND EXPOSURE TO 260°C PEAK TEMPERATURE FOR 10 SECONDS IN A WAVE SOLDER APPLICATION WITH A 1.00MM MINIMUM THICK CIRCUIT BOARD.
- IF LEAD FREE P/N.THE PRODUCT MEETS EUROPEAN UNION DIRECTIVES AND OTHER COUNTRY REGULATIONS AS DESCRIBED IN GS-22-008
- LEAD FREE P/N PACKAGING MEETS GS-14-920 SPECIFICATION

Tous droits strictement reserves. Reproduction ou communication a des tiers interdite sous quelque forme que ce soit sans autorisation ecrite du proprietaire. Propriete de c FCI. Droits de reproduction FCI.

All rights strictly reserved. Reproduction or issue to third parties in any form whatever is not permitted without written authority from the proprietor. Property of FCI. Copyright FCI.

mat'l. code		tolerances unless otherwise specified			CUSTOMER COPY		 www.fciconnect.com	
ltr	ecn no	dr	date	linear	.XX±.13	projection	title	
A	V61093	RHG	8/16/96		.XXX±.051		EJECTOR HEADER ASSEMBLY	
B	V61704	RHG	6/18/97	angles	0° ±2'		68 POS. SMT TYPE 123	
C	V80260	RHG	2/17/98				product family	MCS
D	V92135	CGC	11/16/99	dr	R.GRAPE		8/16/96	code
E	V12231	TFG	9/19/01	enr	D.BRANN	8/16/96	size	dwg no
F	V05-0302	W B	04/21/05	chr	D.BRANN	8/16/96	scale	1:1
G	N05-0116	W B	04/27/05	appd	D.BRANN	8/16/96	A4	72325
sheet	revision	G	G	G	G	G		
index	sheet	1	2	3	4	5		

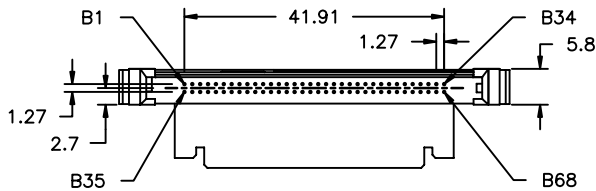
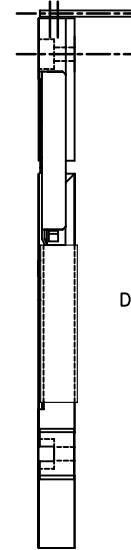
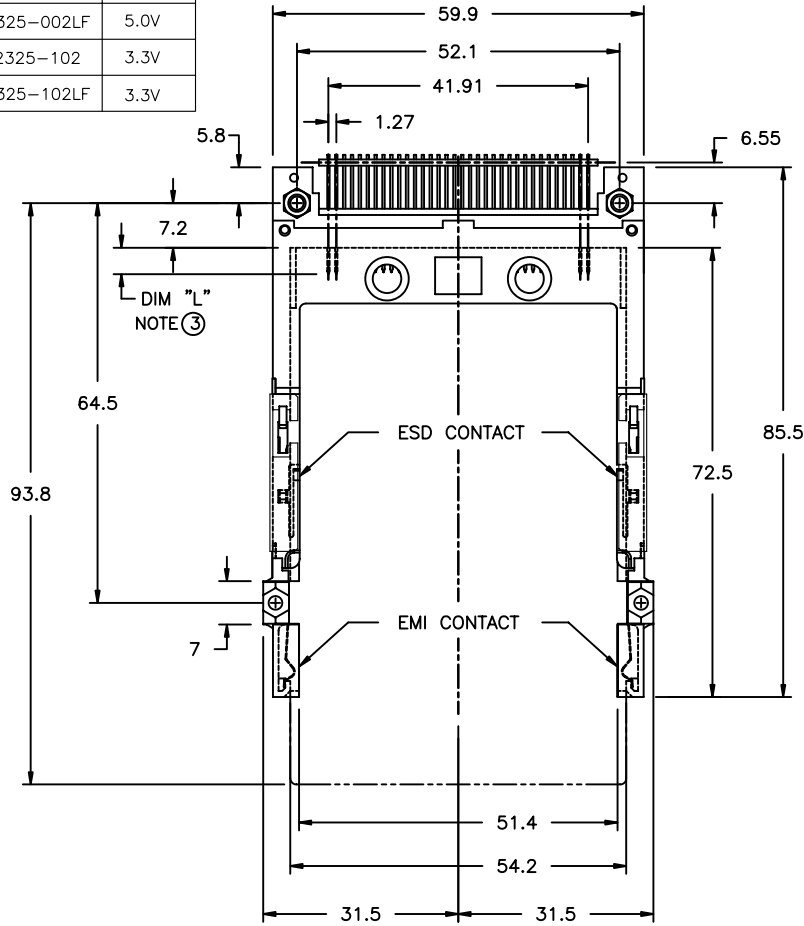
All rights strictly reserved. Reproduction or issue to third parties in any form whatever is not permitted without written authority from the proprietor. Property of FCI. Copyright FCI.

Tous droits strictement reserves. Reproduction ou communication a des tiers interdite sous quelque forme que ce soit sans autorisation écrite du propriétaire. Propriete de c FCI. Droits de reproduction FCI.



FCI

PRODUCT NO.	NOTE
72325-002	5.0V
72325-002LF	5.0V
72325-102	3.3V
72325-102LF	3.3V

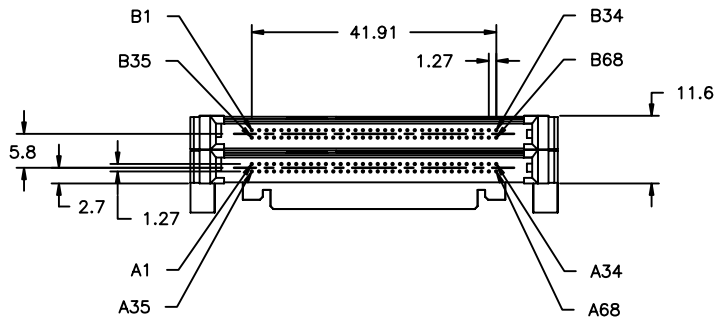
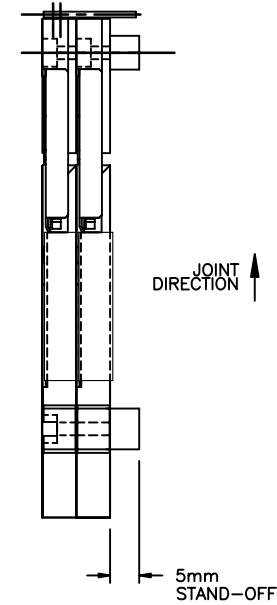
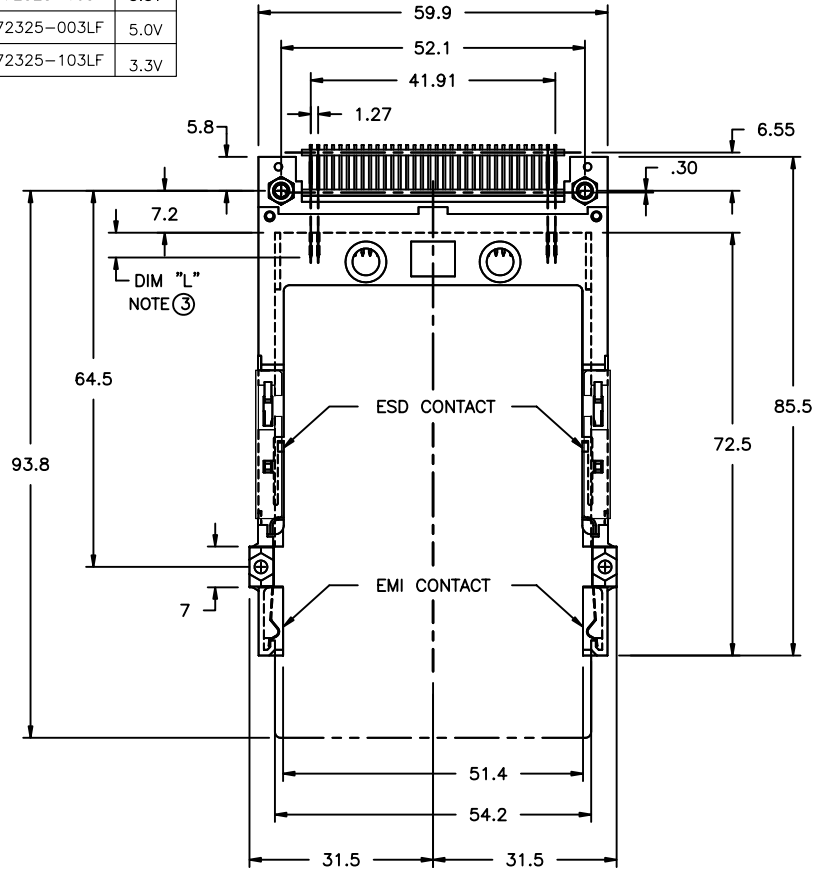


mat'l. code		tolerances unless otherwise specified		CUSTOMER COPY		FCI Electronics www.fciconnect.com		
ltr	ecn no	dr	date	linear	projection	title		
G							EJECTOR HEADER ASSEMBLY	
							68 POS. SMT TYPE 123	
				product family MCS			code	
				angles		size		
				dr		A4		
				enr		72325		
				chr		sheet 2 of		
				appd				
sheet index	revision sheet							

All rights strictly reserved. Reproduction or issue to third parties in any form whatever is not permitted without written authority from the proprietor. Property of FCI. Copyright FCI.

Tous droits strictement reserves. Reproduction ou communication a des tiers interdite sous quelque forme que ce soit sans autorisation ecrite du proprietaire. Propriete de c FCI. Droits de reproduction FCI.

PRODUCT NO.	NOTE
72325-003	5.0V
72325-103	3.3V
72325-003LF	5.0V
72325-103LF	3.3V



NOTE:

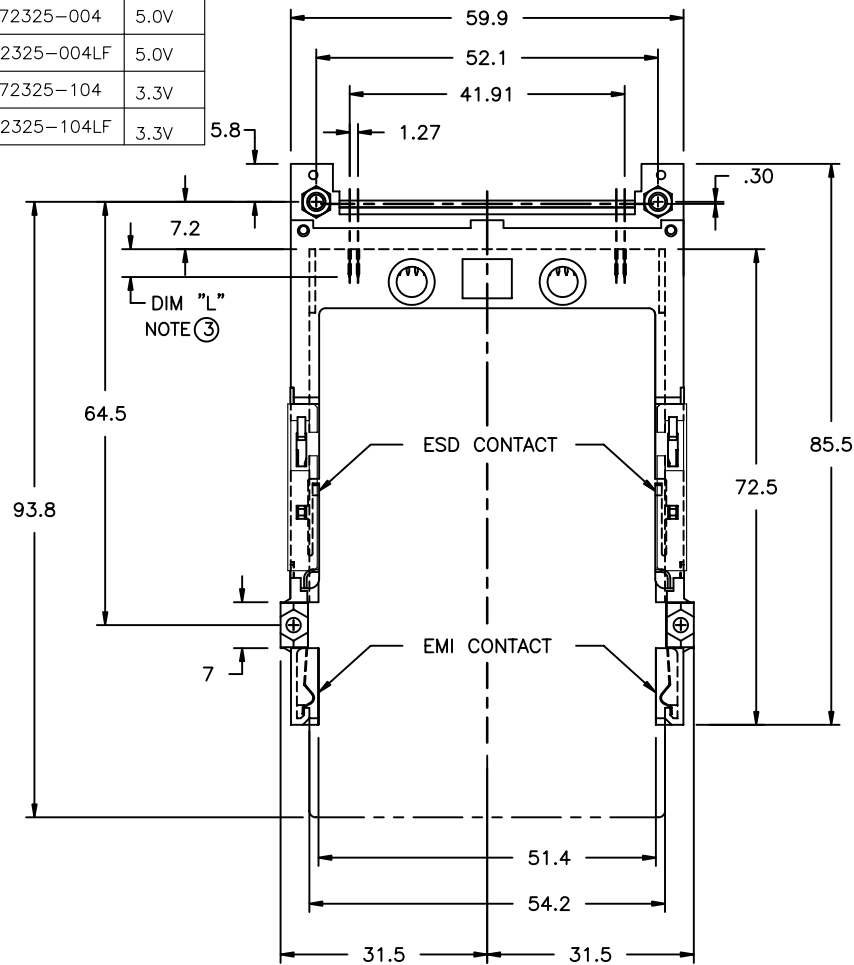
TA-1052, PAGE 1, FOR PCB LAYOUT.

mat'l. code				tolerances unless otherwise specified			CUSTOMER COPY		FCI Electronics www.fciconnect.com		
ltr	ecn no	dr	date	linear	.X±.3		projection	title			
G					.XX±.13			EJECTOR HEADER ASSEMBLY 68 POS. SMT TYPE 123	product family		code
					.XXX±.051				MM	MCS	-
				angles	0° ±2'		scale	size		sheet	
				dr	R.GRAPE	8/16/96		1:1	A4		3 of
				enr	D.BRANN	8/16/96			72325		
				chr	D.BRANN	8/16/96					
				appd	D.BRANN	8/16/96					
sheet index	revision sheet							cage code			

Tous droits strictement reserves. Reproduction ou communication a des tiers interdite sous quelque forme que ce soit sans autorisation ecrite du proprietaire. Propriete de c FCI. Droits de reproduction FCI.

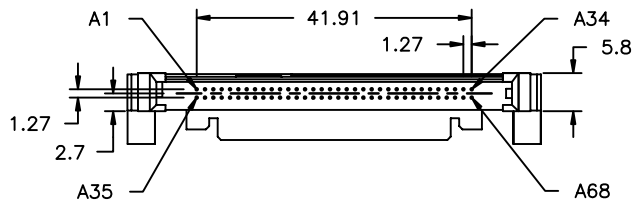
All rights strictly reserved. Reproduction or issue to third parties in any form whatever is not permitted without written authority from the proprietor. Property of FCI. Copyright FCI.

PRODUCT NO.	NOTE
72325-004	5.0V
72325-004LF	5.0V
72325-104	3.3V
72325-104LF	3.3V



NOTE:

TA-1052, PAGE 3, FOR PCB LAYOUT.

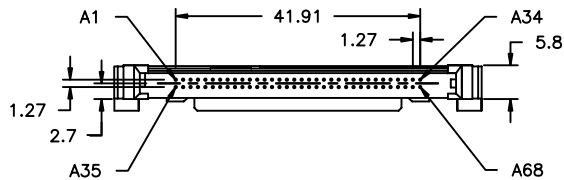
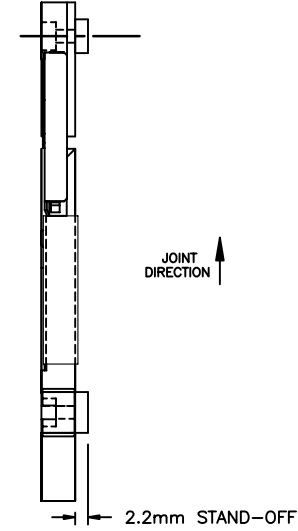
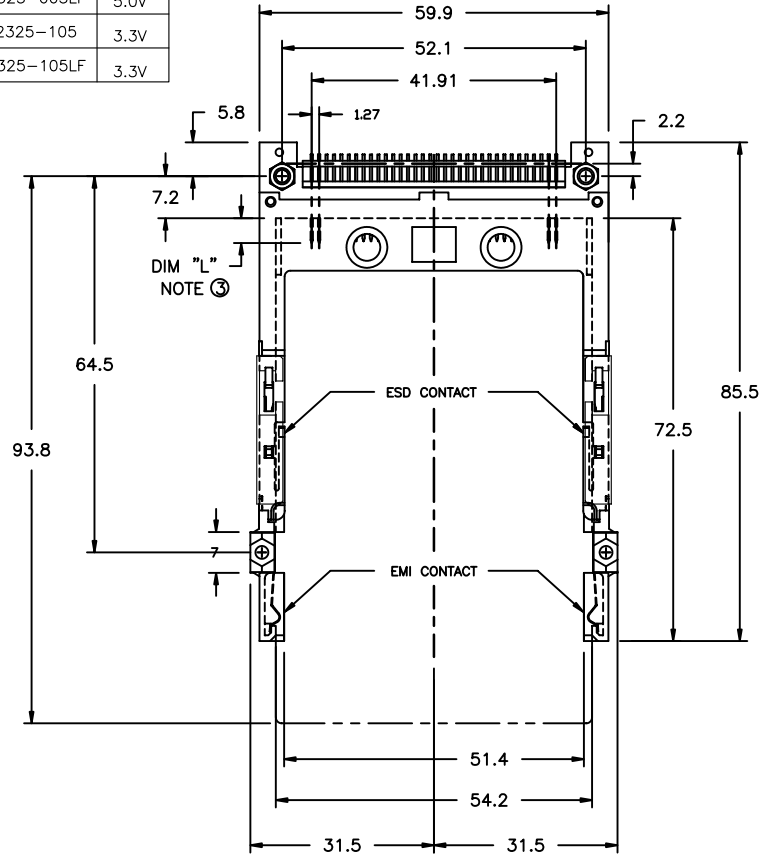


mat'l. code				tolerances unless otherwise specified		CUSTOMER COPY	FCI Electronics	
ltr	ecn no	dr	date	linear	angles		projection	title
G				.X±.3	0° ±2'		EJECTOR HEADER ASSEMBLY	
				.XX±.13		MM	68 POS. SMT TYPE 123	
				.XXX±.051		1:1	product family MCS	
				dr R.GRAPE 2/17/98			code -	
				enr D.BRANN 2/17/98			size dwg no	
				chr D.BRANN 2/17/98			A4 72325	
				appd D.BRANN 2/17/98			sheet 4 of	
sheet index	revision sheet							

All rights strictly reserved. Reproduction or issue to third parties in any form whatever is not permitted without written authority from the proprietor. Property of FCI. Copyright FCI.

Tous droits strictement reserves. Reproduction ou communication a des tiers interdite sous quelque forme que ce soit sans autorisation ecrite du proprietaire. Propriete de c FCI. Droits de reproduction FCI.

PRODUCT NO.	NOTE
72325-005	5.0V
72325-005LF	5.0V
72325-105	3.3V
72325-105LF	3.3V



NOTE:

TA-1052, PAGE 3, FOR PCB LAYOUT.

mat'l. code				tolerances unless otherwise specified		CUSTOMER COPY	FCI Electronics		
ltr	ecn no	dr	date	linear	.X±.3		projection	www.fciconnect.com	
G					.XX±.13			title	
				angles	.XXX±.051			EJECTOR HEADER ASSEMBLY	
				dr	G.CLEMENS 11/16/99		product family MCS		
				enr	D.BRANN 11/16/99		size dwg no		
				chr	D.BRANN 11/16/99		72325		
				appd	D.BRANN 11/16/99		sheet 5 of		
sheet index	revision sheet					scale 1:1	A4		

cage code

PDM: Rev:G

STATUS: Released 26 Printed: Feb 20, 2010

ACAD

X-ON Electronics

Largest Supplier of Electrical and Electronic Components

Click to view similar products for [Memory Card Connectors](#) category:

Click to view products by [Amphenol](#) manufacturer:

Other Similar products are found below :

[M10-597810-355](#) [M21-033321-005](#) [6426-201-21343](#) [69.920.0553.0](#) [MCR60A-98D-2.54DSA\(70\)](#) [FCN-568P068-G/07-4V](#) [809180410000000](#)
[95622-003LF](#) [AD2-262F-38900-232](#) [DM3AT-SF-PEJM5\(41\)](#) [EN2997S72039F6](#) [N7E50-7516PG-20-WF](#) [IC11S-BUR-PNEJL\(71\)](#) [NX30TA-](#)
[15PAA\(50\)](#) [21920-5](#) [2041353-2](#) [FUA006-3220-0](#) [308-DS1P0811-192](#) [33CFAE-DN](#) [MI21A-50PD-SF-EJR\(91\)](#) [502431-1011](#) [5175651-2](#) [10-](#)
[247926-166](#) [10-629549-258N](#) [11327-001](#) [11327-002](#) [EN2997S02039B8](#) [EN2997S61212BN](#) [EN2997S72039B6](#) [EN2997SE02039B8](#)
[EN2997SE61212BN](#) [EN2997SE72039B6](#) [603020000](#) [617230001](#) [71-252718-32P](#) [NX1-32T-KT3K\(05\)](#) [95622-003LF](#) [91-570124-15P](#)
[192900-0488](#) [N7E50-U516RB-50-SIN0005](#) [DM1AA-SF-PEJ](#) [95079-00CALF](#) [84648-056HLF](#) [68-580163-21S](#) [33DVIR-29S12R](#)
[SF58S006VBBR2000](#) [93-570123-08P](#) [GMC020080HR](#) [125A-78C00](#) [1010040575#](#)