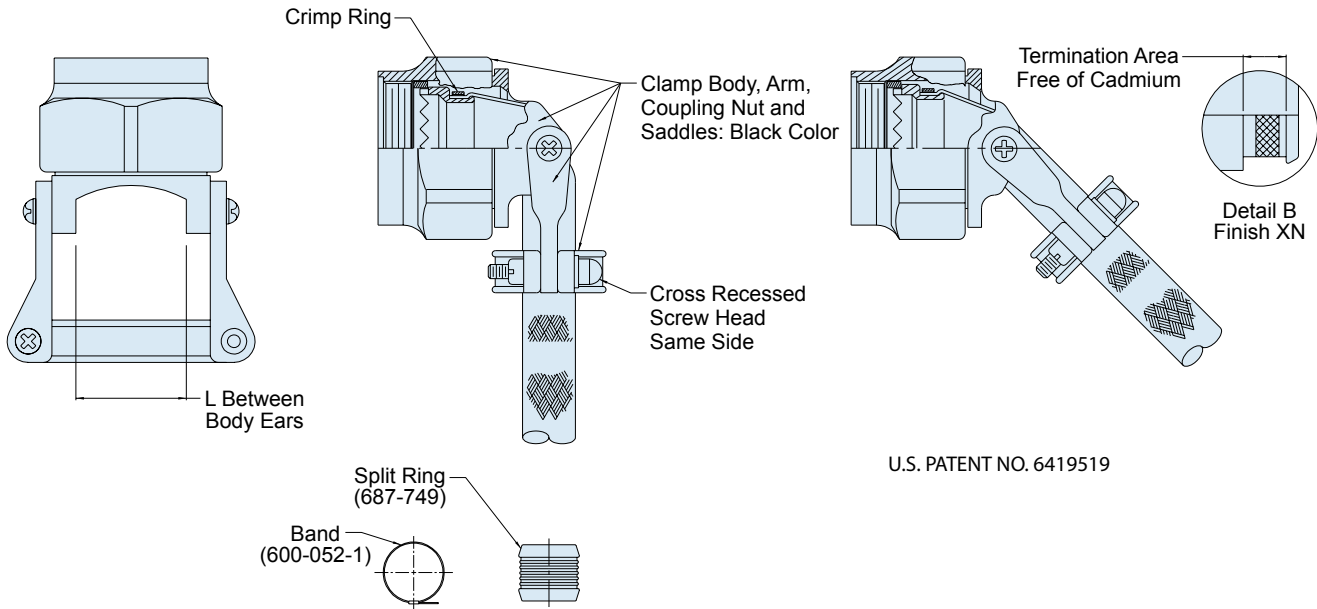
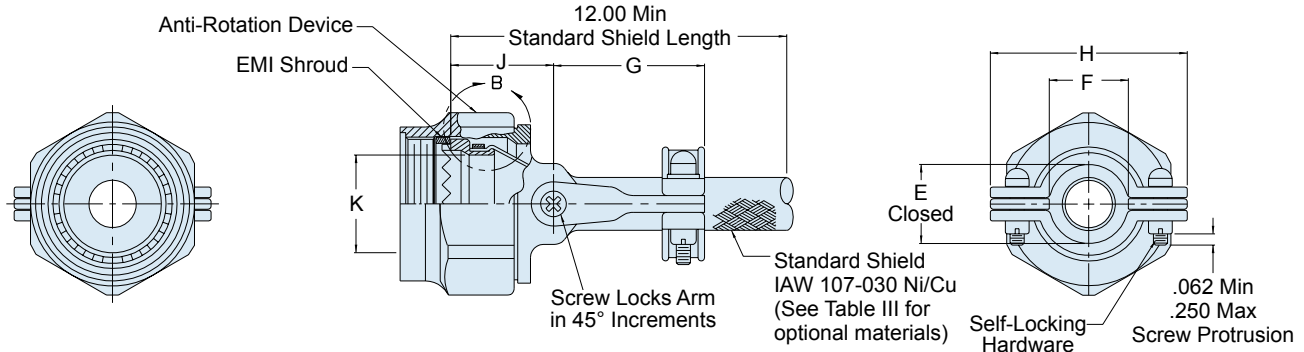
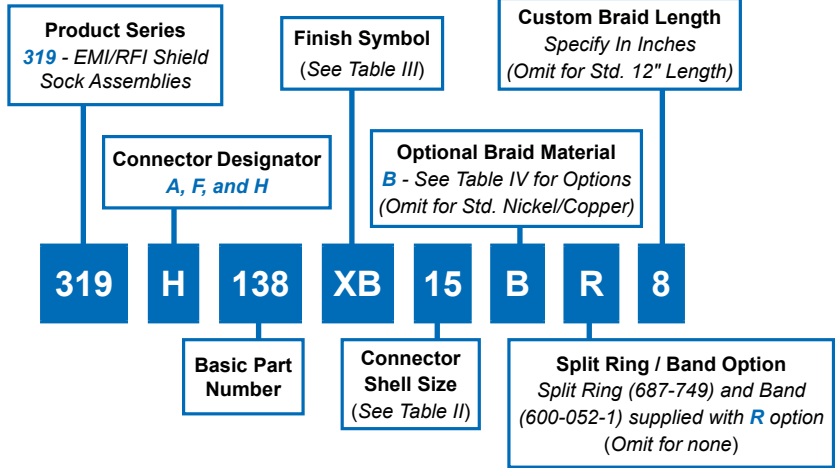


319-138 "Wide Mouth" Composite Swing-Arm Strain Relief with Shield Sock and Self-Locking Rotatable Coupling

A

CONNECTOR DESIGNATOR:	
A	MIL-DTL-5015, -26482 Series II, and -83723 Series I and III
F	MIL-DTL-38999 Series I, for Series II See Note 3
H	MIL-DTL-38999 Series III and IV
SELF-LOCKING	
ROTATABLE COUPLING	
LOW PROFILE	



U.S. PATENT NO. 6419519

319-138
"Wide Mouth" Composite Swing-Arm Strain Relief
 with Shield Sock and
 Self-Locking Rotatable Coupling



Composite Backshells

TABLE II: SHELL SIZE

Shell Size		E ± .031	F Min	G Max ± .06	H ± .060	J Max	L Max	K Diameter		
A, F	H							A Code	F Code	H Code
08	09	.350 (8.9)	.350 (8.9)	1.045 (26.5)	.936 (23.8)	.94 (23.9)	.393 (10.0)	.265 (6.7)	.275 (7.0)	.264 (6.7)
10	11	.436 (11.1)	.455 (11.6)	1.045 (26.5)	1.172 (29.8)	.97 (24.6)	.455 (11.6)	.370 (9.4)	.412 (10.5)	.390 (9.9)
12	13	.636 (16.2)	.640 (16.3)	1.170 (29.7)	1.406 (35.7)	1.03 (26.2)	.598 (15.2)	.506 (12.9)	.526 (13.4)	.504 (12.8)
14	15	.706 (17.9)	.710 (18.0)	1.170 (29.7)	1.500 (38.1)	1.09 (27.7)	.710 (18.0)	.580 (14.7)	.651 (16.5)	.630 (16.0)
16	17	.790 (20.1)	.835 (21.2)	1.295 (32.9)	1.562 (39.7)	1.12 (28.4)	.839 (21.3)	.705 (17.9)	.776 (19.7)	.756 (19.2)
18	19	.872 (22.1)	.922 (23.4)	1.295 (32.9)	1.687 (42.8)	1.15 (29.2)	.934 (23.7)	.784 (19.9)	.872 (22.1)	.843 (21.4)
20	21	.996 (25.3)	1.008 (25.6)	1.467 (39.5)	1.969 (50.0)	1.18 (30.0)	1.068 (27.1)	.909 (23.1)	1.007 (25.6)	.969 (24.6)
22	23	1.060 (26.9)	1.197 (30.4)	1.467 (39.5)	2.094 (53.2)	1.25 (31.8)	1.197 (30.4)	1.034 (1.034)	1.132 (28.8)	1.091 (27.7)
24	25	1.123 (28.5)	1.323 (33.6)	1.461 (37.1)	2.281 (57.9)	1.28 (32.5)	1.323 (33.6)	1.149 (29.2)	1.257 (31.9)	1.217 (30.9)

A

TABLE III: FINISH

Symbol	Finish
XB	Composite Material—No Plating, Color Black, Brass Interface Shroud and Adapter—Nickel Plated
XMT	2000 Hour Corrosion Resistant Ni-PTFE, Nickel-Fluorocarbon Polymer. <i>1000 Hour Grey™</i>
XN	Composite Material—No Plating, Color Black and Brown, Brass Interface Shroud and Adapter—Selectively Cadmium Plated (See Detail B)

TABLE IV: BRAID TYPE

Symbol	Braid Type
A	100% AmberStrand®
B	75%/25% AmberStrand® Blend
L	100% ArmorLite™
<i>Standard</i>	Nickel/Copper 34awg
T	Tin/Copper 34awg

NOTES

1. See Table I in Intro for front-end dimensional details.
2. See composite thermoplastic shield sock assembly procedure for detailed installation instructions.
3. Add mod code -475 to end of part number for use with Series II connectors. Backshell to be supplied less shroud.
4. Coupling nut supplied unplated.

X-ON Electronics

Largest Supplier of Electrical and Electronic Components

Click to view similar products for [Circular MIL Spec Strain Reliefs & Adapters](#) category:

Click to view products by [Glenair](#) manufacturer:

Other Similar products are found below :

[896227-000](#) [899170S004](#) [6000-063-0022](#) [613751-000](#) [CS6624-000](#) [620AB038Z136](#) [620AS001Z108](#) [620AS038Z112](#) [620AS038Z120](#)
[620AS038Z132](#) [620FB038NF08](#) [620HA038NF13](#) [620HA038NF25](#) [620HA042XM13](#) [620HB049NF17](#) [620HS011NF21](#) [620HS038NF11](#)
[620HS038Z121](#) [620HS042XM19](#) [620HS042XM25](#) [620HS042XW13](#) [620HS048B17](#) [620MS064NF09](#) [620MS064NF12](#) [620MS065M12](#)
[620MS065Z107](#) [620MS065ZNU06](#) [630J041M06H](#) [630J041M20H](#) [637S010NF0212H](#) [640830-000](#) [659943-000](#) [66241-10A](#) [CW0597-000](#)
[CW0598-000](#) [CW0948-000](#) [CY0122-000](#) [M85049/41-6A W/B](#) [M85049/42-12DS](#) [M85049/47N8](#) [M85049/47W18](#) [M85049/51-1-14S](#)
[M85049/51-1-8W](#) [M85049/51S16S](#) [M85049/60-1N16](#) [M85049/60-2G12W](#) [M85049/69-11N](#) [CZ3661-000](#) [D02922-000](#) [70.360.1628.0](#)