

(2,00 mm) .0787"

ESQT (-368), PTHF SERIES

# PC/104-PLUS™ SELF-NESTING SOCKETS

## SPECIFICATIONS

For complete specifications and recommended PCB layouts see [www.samtec.com?ESQT](http://www.samtec.com?ESQT) or [www.samtec.com?PTHF](http://www.samtec.com?PTHF)

**Insulator Material:**  
Black Liquid Crystal Polymer (ESQT)  
Black High Temp Nylon (PTHF)

**Contact Material:**  
Phosphor Bronze

**Plating:**

Au or Sn over 50µ" (1,27 µm) Ni

**Operating Temp Range:**  
-55°C to +125°C

**Contact Resistance:**  
10 mΩ

**Insertion Depth:**  
(2,62 mm) .103" to (5,03 mm) .198"

**Insertion Force:**  
(Single contact only)  
4 oz (1,11 N) average

**Normal Force:**  
60 grams (0,59 N) average

**Withdrawal Force:**  
(Single contact only)  
3 oz (0,83 N) average

**Max Cycles:**  
100 with 10µ" (0,25 µm) Au  
**RoHS Compliant:**  
Yes

**Lead-Free Solderable:**  
Yes (ESQT)

## RECOGNITIONS

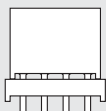
For complete scope of recognitions see [www.samtec.com/quality](http://www.samtec.com/quality)



## TOOLING

- Press fit tooling Contact Samtec.

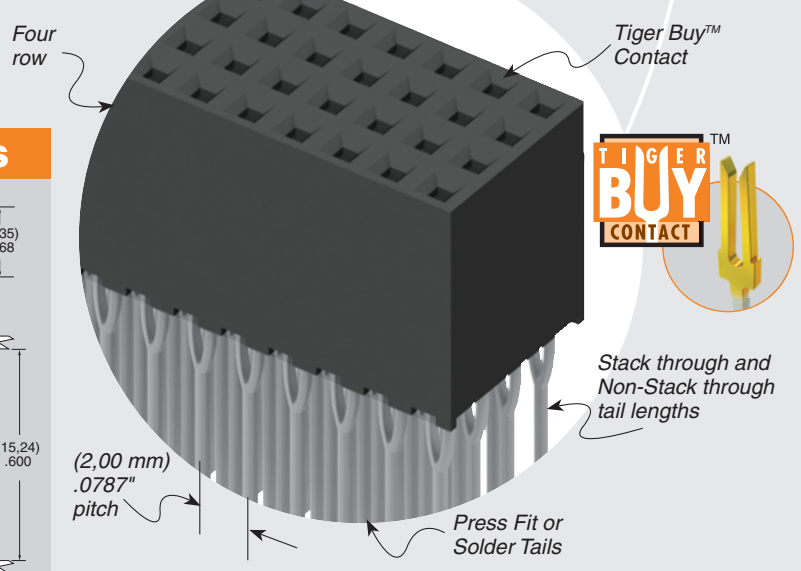
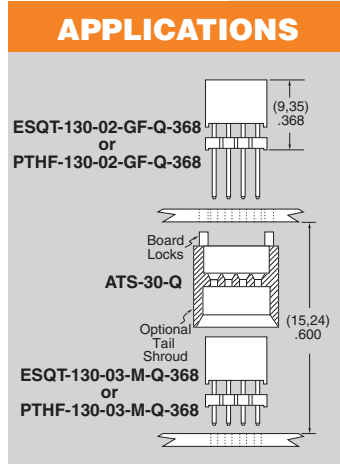
## OTHER SOLUTIONS



Paste In Hole (PIH) processing. Contact Samtec ASP Group. (Not recommended for stack through applications) ESQT only.

**Note:** Some lengths, styles and options are non-standard, non-returnable.

Mates with:  
ESQT, PTHF

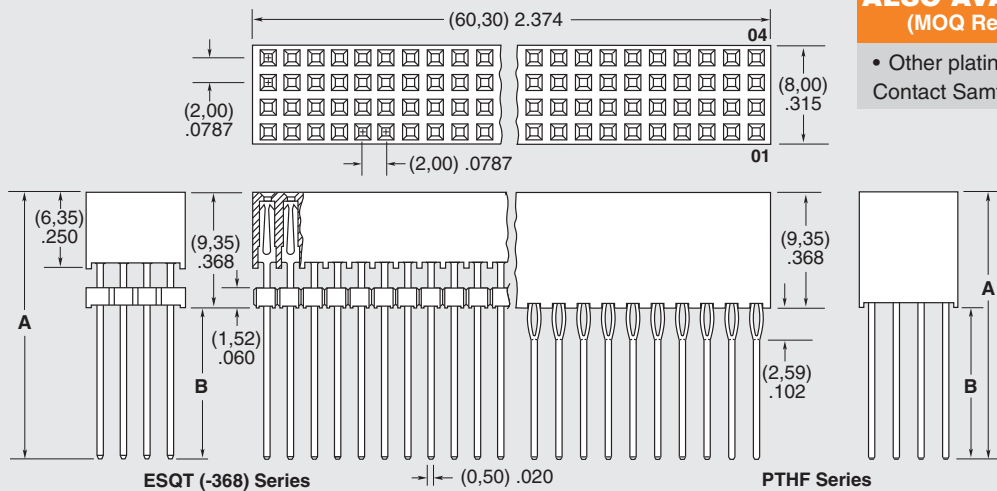


<b>TYPE STRIP</b>	<b>1</b>	<b>NO. PINS PER ROW</b>	<b>30</b>	<b>LEAD STYLE</b>	<b>PLATING OPTION</b>	<b>Q</b>	<b>368</b>
<b>ESQT</b> = Solder Tails				Specify LEAD STYLE from chart	<b>-GF</b> = 15µ" (0,38 µm) Gold on contact, Gold flash on tail (-02 Lead Style only)		
<b>PTHF</b> = Press Fit Tails					<b>-M</b> = 20µ" (0,51 µm) Gold on contact, Matte Tin on tail (-03 Lead Style only)		

LEAD STYLE	ESQT		PTHF	
	A	B	A	B
-02	(21,59) .850	(12,24) .482	(21,59) .850	(12,24) .482
-03	(11,63) .458	(2,29) .090	(12,34) .486	(3,00) .118

## ALSO AVAILABLE (MOQ Required)

- Other platings Contact Samtec.



## X-ON Electronics

Largest Supplier of Electrical and Electronic Components

*Click to view similar products for [Headers & Wire Housings](#) category:*

*Click to view products by [Samtec](#) manufacturer:*

Other Similar products are found below :

[95000-104TRLF](#) [10135584-644402LF](#) [DF62W-EP2022PCA](#) [95000-106TRLF](#) [DF62W-2022SCA](#) [DF62W-EP2022PC](#) [2203348](#) [DF62W-2022SC](#) [1084018](#) [1029039](#) [1084017](#) [802-10-012-10-002000](#) [1112640](#) [1112639](#) [891-007-9SS-BST1T](#) [000-34000](#) [0008550134](#) [0009482033](#) [0009507031](#) [57102-F02-18ULF](#) [57102-S06-03LF](#) [57202-S52-04LF](#) [PCN6-15S-2.5E](#) [0039019024](#) [58102-G61-06LF](#) [582553-1](#) [0009485154](#) [0009508121](#) [0022285053](#) [0050291907](#) [018731A](#) [LY20-4P-DT1-P1E-BR](#) [02.125.8002.8](#) [60101931](#) [60598-1 \(Cut Strip\)](#) [M1625-3R/100](#) [61062-3](#) [61082-181009](#) [CSU011177004](#) [636-1427](#) [638009-1](#) [641938-9](#) [641991-4](#) [644168-1](#) [644827-2](#) [647662-1](#) [65039-019ELF](#) [65692-001LF](#) [65781-018](#) [65781-047](#)