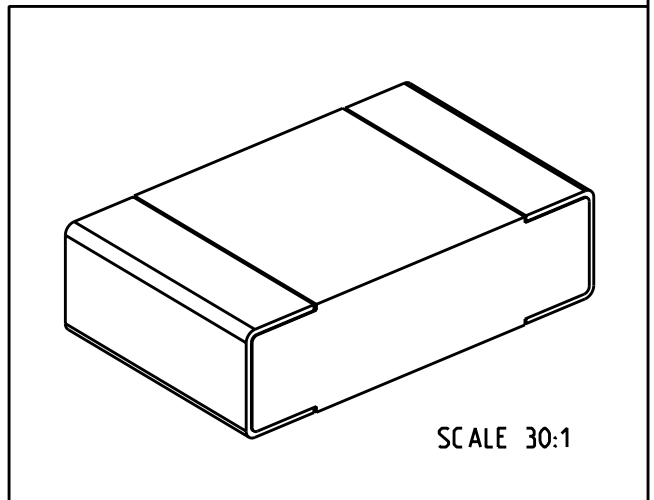


|     |      |           |     |             |           |     |      |
|-----|------|-----------|-----|-------------|-----------|-----|------|
| LOC | DIST | REVISIONS |     |             |           |     |      |
| E   | B    | P         | LTR | DESCRIPTION | DATE      | DWN | APVD |
|     |      |           | BA  | NEW RELEASE | 06-AUG-09 | SM  | St.P |

FOR FURTHER INFORMATION SEE DATA SHEET FOR  
CRG SERIES-THICK FILM CHIP RESISTORS



RoHS Compliant



2009

RELEASED FOR PUBLICATION

THIS DRAWING IS UNPUBLISHED.

BY TYCO ELECTRONICS CORPORATION. ALL RIGHTS RESERVED.

© COPYRIGHT 2009

|  |       |                  |           |  |           |            |               |
|--|-------|------------------|-----------|--|-----------|------------|---------------|
| DIMENSIONS:                            |       | DWN              | 06-AUG-09 | MATERIAL   | -         | FINISH     | -             |
| mm                                     |       | SUBHASH.M        |           | Tyco Electronics Corporation<br>Dorcan, Swindon, SN3 5HH           |           |            |               |
| TOLERANCES UNLESS OTHERWISE SPECIFIED: |       | CHK              | 06-AUG-09 |  |           |            |               |
| 0 PLC                                  | ± 0.5 | ALLAN.P          |           | NAME<br><b>THICK FILM CHIP RESISTORS</b><br><b>SERIES CRG 0805</b> |           |            |               |
| 1 PLC                                  | ± 0.2 | APVD             | 06-AUG-09 |  |           |            |               |
| 2 PLC                                  | ± 0.1 | STEPHEN.P        |           | SIZE   | CAGE CODE | DRAWING NO | RESTRICTED TO |
| 3 PLC                                  | ± -   | PRODUCT SPEC     | -         | A 4  | 00779     | C- 1623289 | -             |
| 4 PLC                                  | ± -   | APPLICATION SPEC | -         | CUSTOMER DRAWING   |           |            |               |
| ANGLES                                 | ± 5°  | WEIGHT           | -         | SCALE  | 40:1      | SHEET      | 1 OF 1        |
|  |       |                  |           |  |           | REV        | BA            |

## X-ON Electronics

Largest Supplier of Electrical and Electronic Components

*Click to view similar products for* [Thick Film Resistors - SMD category:](#)

*Click to view products by* [TE Connectivity manufacturer:](#)

Other Similar products are found below :

[CRCW04028R20JNEE](#) [CRCW06036K80FKEE](#) [CRG1206F1K58](#) [CRL0603-FW-R700ELF](#) [M55342K06B6E19RWL](#) [RC1005F1072CS](#)  
[RC1005F471CS](#) [RC1005F4751CS](#) [RCP0603W100RGED](#) [RCWP72251K47FKWB](#) [RLR05C7501GPB14](#) [RLR07C5111FSBSL](#) [ERJ-](#)  
[1GMF1R00C](#) [ERJ-1GMF1R20C](#) [ERJ-1GMF2R55C](#) [ERJ-1GMF8R66C](#) [25121WF1003T4E](#) [25.501.3653.0](#) [290-1.0M-RC](#) [292-1.0M-RC](#) [292-](#)  
[2.2K-RC](#) [292-4.7K-RC](#) [25121WF4700T4E](#) [292-470K-RC](#) [302-1.0M-RC](#) [CPG1206F10KC](#) [CRCW02011R00FXED](#) [CRCW060315K0FKEE](#)  
[CRCW060320K5FKEE](#) [CRG0201F10K](#) [RCG0402150RFKED](#) [RCG04023K92FKED](#) [RCP2512B100RGWB](#) [RCWP110010R0FKS3](#)  
[RCWP11002K00FKS3](#) [RCWP12061K00FKS2](#) [3520510RJT](#) [352075KJT](#) [M55342K11B9E53RUL](#) [RMC16-102JT](#) [RMC1JPTE](#) [TR0603MR-](#)  
[075K1L](#) [5-2176094-4](#) [35202K7JT](#) [WF06Q1000FTL](#) [ERJ-S03J1R0V](#) [ERJ-S14J4R7U](#) [CHP2512L4R30GNT](#) [CPCC10270R0JE32](#)  
[RCWP11001K00FKS3](#)