

CS223-2M
CS223-2N

**SURFACE MOUNT
SILICON CONTROLLED RECTIFIERS
2.0 AMP, 600 AND 800 VOLT**



SOT-223 CASE



www.centrasemi.com

DESCRIPTION:

The CENTRAL SEMICONDUCTOR CS223-2M and CS223-2N are epoxy molded SCRs designed for sensing circuit applications and control systems.

MARKING: FULL PART NUMBER

MAXIMUM RATINGS: ($T_C=25^\circ\text{C}$ unless otherwise noted)		SYMBOL	CS223-2M	CS223-2N	UNITS
Peak Repetitive Off-State Voltage		V_{DRM}, V_{RRM}	600	800	V
RMS On-State Current ($T_C=60^\circ\text{C}$)		$I_T(\text{RMS})$	2.0		A
Peak One Cycle Surge, $t=10\text{ms}$		I_{TSM}	10		A
I^2t Value for Fusing, $t=10\text{ms}$		I^2t	0.5		A^2s
Peak Gate Power, $t_p=10\mu\text{s}$		P_{GM}	2.0		W
Average Gate Power Dissipation		$P_{G(AV)}$	0.1		W
Peak Gate Current, $t_p=10\mu\text{s}$		I_{GM}	1.0		A
Peak Gate Voltage, $t_p=10\mu\text{s}$		V_{GM}	8.0		V
Operating Junction Temperature		T_J	-50 to +125		$^\circ\text{C}$
Storage Temperature		T_{stg}	-50 to +150		$^\circ\text{C}$
Thermal Resistance		Θ_{JA}	62.5		$^\circ\text{C/W}$

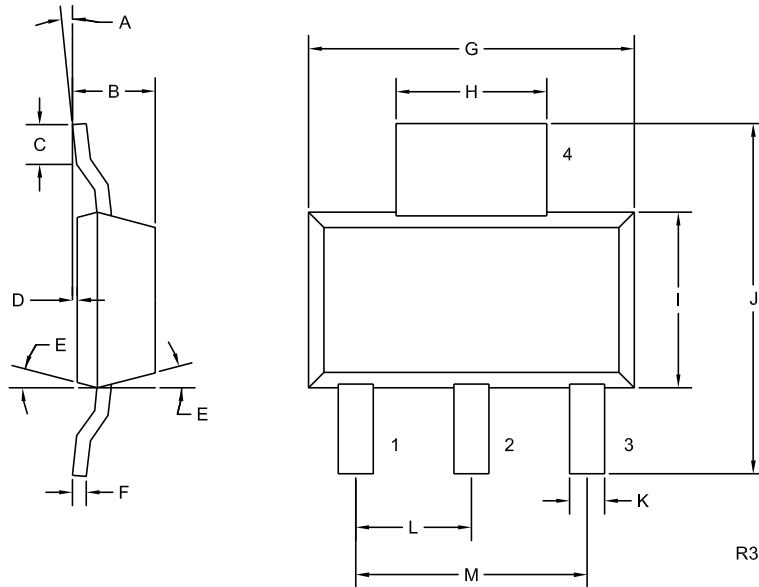
ELECTRICAL CHARACTERISTICS: ($T_C=25^\circ\text{C}$ unless otherwise noted)		MIN	TYP	MAX	UNITS
SYMBOL	TEST CONDITIONS				
I_{DRM}, I_{RRM}	Rated $V_{DRM}, V_{RRM}, R_{GK}=1.0\text{K}\Omega$			10	μA
I_{DRM}, I_{RRM}	Rated $V_{DRM}, V_{RRM}, R_{GK}=1.0\text{K}\Omega, T_C=125^\circ\text{C}$			100	μA
I_{GT}	$V_D=12\text{V}, R_L=10\Omega$		38	200	μA
I_H	$I_T=50\text{mA}, R_{GK}=1.0\text{K}\Omega$		1.0	2.0	mA
V_{GT}	$V_D=12\text{V}, R_L=10\Omega$		0.55	0.8	V
V_{TM}	$I_{TM}=4.0\text{A}, t_p=380\mu\text{s}$		1.4	1.7	V
dv/dt	$V_D=2/3 V_{DRM}, R_{GK}=1.0\text{K}\Omega, T_C=125^\circ\text{C}$	10			$\text{V}/\mu\text{s}$

CS223-2M
CS223-2N

SURFACE MOUNT
SILICON CONTROLLED RECTIFIERS
2.0 AMP, 600 AND 800 VOLT



SOT-223 CASE - MECHANICAL OUTLINE



LEAD CODE:

- 1) Cathode
- 2) Anode
- 3) Gate
- 4) Anode

MARKING:

FULL PART NUMBER

DIMENSIONS				
SYMBOL	INCHES		MILLIMETERS	
	MIN	MAX	MIN	MAX
A	0°	10°	0°	10°
B	0.059	0.071	1.50	1.80
C	0.018	—	0.45	—
D	0.000	0.004	0.00	0.10
E	15°		15°	
F	0.009	0.014	0.23	0.35
G	0.248	0.264	6.30	6.70
H	0.114	0.122	2.90	3.10
I	0.130	0.146	3.30	3.70
J	0.264	0.287	6.70	7.30
K	0.024	0.033	0.60	0.85
L	0.091		2.30	
M	0.181		4.60	

SOT-223 (REV: R3)

R3 (1-June 2015)

X-ON Electronics

Largest Supplier of Electrical and Electronic Components

Click to view similar products for [SCRs category](#):

Click to view products by [Central Semiconductor manufacturer](#):

Other Similar products are found below :

[NTE5428](#) [NTE5448](#) [NTE5457](#) [NTE5511](#) [T1500N16TOF VT](#) [T720N18TOF](#) [T880N14TOF](#) [T880N16TOF](#) [TS110-7UF](#) [TT104N12KOF-A](#)
[TT104N12KOF-K](#) [TT162N16KOF-A](#) [TT162N16KOF-K](#) [TT330N16AOF](#) [VS-16RIA100](#) [VS-22RIA20](#) [VS-2N5206](#) [VS-2N685](#) [VS-](#)
[40TPS08A-M3](#) [VS-ST230S12P1VPBF](#) [057219R](#) [CLB30I1200HB](#) [T1190N16TOF VT](#) [T1220N22TOF VT](#) [T201N70TOH](#) [T830N18TOF](#)
[TD92N16KOF-A](#) [TT250N12KOF-K](#) [VS-2N692](#) [VS-2N689](#) [VS-25RIA40](#) [VS-16RIA120](#) [VS-10RIA120](#) [VS-30TPS08PBF](#) [NTE5427](#)
[NTE5442](#) [VS-2N690](#) [VS-ST300S20P0PBF](#) [TT251N16KOF-K](#) [VS-22RIA100](#) [VS-16RIA40](#) [CR02AM-8#F00](#) [VS-ST110S12P0VPBF](#)
[TD250N16KOF-A](#) [VS-ST110S16P0](#) [VS-10RIA10](#) [VS-16TTS08-M3](#) [TS110-7A1-AP](#) [T930N36TOF VT](#) [T2160N24TOF VT](#)