



Energy Recovery Products™

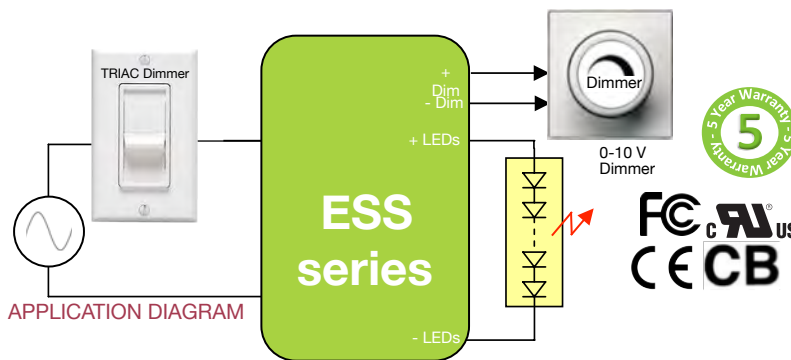
ESS Series

ESS010	6-10 W
ESS015	11-15 W
ESS020	16-20 W
ESS030	21-30 W
ESS040	31-40 W

Tri-Mode Dimming™ (0-10 V & TRIAC/ELV) Constant Current LED Drivers with Fast Startup Time

Nominal Input Voltage	Max. Output Power	Output Voltage	Output Current	Efficiency	Max. Case Temperature	THD	Power Factor	Dimming Method	Dimming Range	Startup Time
120 to 277 Vac, 220 to 240 Vac	40 W	14 to 42 Vdc	250 to 2100 mA CC	up to 87% typical	90°C (measured at the hot spot)	< 20%	> 0.9	Forward-Phase, Reverse-Phase & 0 - 10V	1 - 100% (% of Iout)	300 ms typical

CC: Constant Current



FEATURES

- Compatible with TRIAC (forward-phase or leading-edge), ELV (reverse-phase or trailing-edge) and 0-10 V dimmers
- ESSxxxW: TRIAC and ELV dimming only at 120 Vac.
- ESSxxxE: ELV dimming only at 230 Vac.
- Lifetime: 109,000 hours at 70°C case hot spot temperature (57°C ambient temperature) for ESS030W-0620-42 (26 W)
- Protections: output open load, over-current and short-circuit (hiccup), and over-temperature with auto recovery
- Conducted and radiated EMI: Compliant with FCC CFR Title 47 Part 15 Class B (120 Vac)/Class A (277 Vac) and EN55015 (CISPR 15) at 220/230/240 Vac
- Complies with ENERGY STAR® luminaire specification and DLC (DesignLight Consortium®) technical requirements
- IP64-rated case with silicone-based potting
- 90°C maximum case hot spot temperature
- Class 2 power supply

APPLICATIONS

- Downlights
- Commercial & Residential lighting
- Architectural lighting

ERP Part Number	Nominal Input Voltage (Vac)	Iout (mA)	Max Output Power (W)	Output Voltage Range (Vdc)	
				Min	Max
ESS010E: 11 to 10 W					
ESS010E-0250-42	220/230/240	250	10.5	24	42
ESS015E: 11 to 15 W					
ESS015E-0300-42	220/230/240	300	12.6	24	42
ESS015E-0350-32	220/230/240	350	11.2	21	32
ESS015E-0350-42	220/230/240	350	14.7	24	42
ESS020E: 16 to 20 W					
ESS020E-0400-42	220/230/240	400	16.8	24	42
ESS020E-0450-42	220/230/240	450	18.9	24	42
ESS030E: 21 to 30 W					
ESS030E-0500-42	220/230/240	500	21.0	24	42
ESS030E-0620-42	220/230/240	620	26.0	24	42
ESS030E-0700-42	220/230/240	700	29.4	24	42
ESS040E: 31 to 40 W					
ESS040E-0800-42	220/230/240	800	33.6	24	42
ESS040E-0900-42	220/230/240	900	37.8	24	42

ERP Part Number	Nominal Input Voltage (Vac)	Iout (mA)	Max Output Power (W)	Output Voltage Range (Vdc)	
				Min	Max
ESS010W: up to 10 W					
ESS010W-0200-42	120 to 277	200	8.4	24	42
ESS010W-0250-42	120 to 277	250	10.5	24	42
ESS010W-0350-24	120 to 277	350	8.4	14	24
ESS010W-0500-12	120 to 277	500	6.0	6	12
ESS010W-0750-12	120 to 277	750	9.0	6	12
ESS015W: 11 to 15 W					
ESS015W-0300-42	120 to 277	300	12.6	24	42
ESS015W-0350-32	120 to 277	350	11.2	21	32
ESS015W-0350-42	120 to 277	350	14.7	24	42
ESS015W-0440-25	120 to 277	440	11.0	19	25
ESS015W-0440-34	120 to 277	440	15.0	24	34
ESS015W-0700-18	120 to 277	700	12.6	10	18
ESS015W-1000-12	120 to 277	1000	12.0	6	12
ESS015W-1050-14	120 to 277	1050	14.7	8	14
ESS020W: 16 to 20 W					
ESS020W-0350-56	120 to 277	350	19.6	40	56
ESS020W-0400-42	120 to 277	400	16.8	24	42
ESS020W-0450-42	120 to 277	450	18.9	24	42
ESS020W-0500-32	120 to 277	500	16.0	21	32
ESS020W-0600-27	120 to 277	600	16.2	20	27
ESS020W-0700-24	120 to 277	700	16.8	14	24
ESS020W-1400-14	120 to 277	1400	19.6	8	14
ESS030W: 21 to 30 W					
ESS030W-0500-42	120 to 277	500	21.0	24	42
ESS030W-0500-56	120 to 277	500	28.0	40	56
ESS030W-0550-42	120 to 277	550	23.1	24	42
ESS030W-0620-42	120 to 277	620	26.0	24	42
ESS030W-0700-32	120 to 277	700	22.4	21	32
ESS030W-0700-39	120 to 277	700	27.3	27	39
ESS030W-0700-42	120 to 277	700	29.4	24	42
ESS030W-0900-27	120 to 277	900	24.3	20	27
ESS030W-0900-32	120 to 277	900	28.8	21	32
ESS030W-1100-27	120 to 277	1100	29.7	20	27
ESS030W-1750-14	120 to 277	1750	24.5	8	14
ESS030W-2100-14	120 to 277	2100	29.4	8	14
ESS040W: 31 to 40 W					
ESS040W-0800-42	120 to 277	800	33.6	24	42
ESS040W-0900-42	120 to 277	900	37.8	24	42
ESS040W-1400-24	120 to 277	1400	33.6	14	24
ESS040W-1400-27	120 to 277	1400	37.8	20	27

120-277 VAC NOMINAL INPUT VOLTAGE



PLASTIC CASE
L 84 x W 40 x H 25.2 mm
(L 3.30 x W 1.57 x H 0.99 in)

CHINA Operations

tel: +86-756-6266298
No. 8 Pingdong Road 2
Zhuhai, Guangdong, China 519000

www.ERPPowerLLC.com

SaveEnergy@ERPPowerLLC.com

For additional options of output current and output voltage, contact your sales representative or send an email to: SaveEnergy@ERPPowerLLC.com

USA Headquarters

tel: +1-805-517-1300
893 Patriot Drive, Suite E
Moorpark, CA 93021, USA

X-ON Electronics

Largest Supplier of Electrical and Electronic Components

Click to view similar products for [LED Power Supplies](#) category:

Click to view products by [ERP Power](#) manufacturer:

Other Similar products are found below :

[ESS015W-1000-12](#) [EUC-075S105DT](#) [PDA-WIFI](#) [PIFC-K250F](#) [PITB-K222A](#) [ALD-514012PJ134](#) [LB240S24KH](#) [LMH020-SPLC-0000-0000001](#) [79534](#) [79535](#) [EUG-200S210DT](#) [ESS030W-1050-21](#) [ESS030W-0900-32](#) [BPOXL 4-12-035](#) [SLM160W-3.9-40-ZA](#) [ESS010W-0180-42](#) [ESS010W-0350-24](#) [ESS010W-0200-42](#) [PDA080B-1A0G](#) [PDA150B-S1A5G](#) [ZPS-20](#) [SLM140W-1.05-130-ZA](#) [ESS040W-1400-27](#) [ESS015W-0700-18](#) [ESS010E-0250-42](#) [EDC-100S105SV-0007](#) [79278](#) [EUD-150S350DVA](#) [LWA320-C420-ARK-B](#) [50304](#) [HVG-320-36AB](#) [HVG-320-54AB](#) [OT FIT 50/220-240/300 D L](#) [OT FIT 35/220-240/350 D CS L](#) [OT FIT 65/220-240/350 D CS L](#) [ELEMENT 30/220-240/700 S](#) [LC 75W 100-400MA 1-10V LP EXC](#) [LCA 35W 150-700MA ONE4ALL LP PRE](#) [LCA 50W 100-400MA ONE4ALL LP PRE](#) [LCA 50W 350-1050MA ONE4ALL LP PRE](#) [LCA 50W 350-1050MA 2XCH LP PRE](#) [LCI 150/325-1050/300 O4A SL PRE](#) [LCA 75W 100-400MA ONE4ALL LP PRE](#) [LCA 45W 500-1400MA ONE4ALL SC PRE](#) [LC 50W 100-400MA FLEXC LP EXC](#) [LCA 75W 350-1050MA ONE4ALL LP PRE](#) [LC 50W 350-1050MA FLEXC LP EXC](#) [LC 75W 350-1050MA FLEXC LP EXC](#) [LCA 75W 900-1800MA ONE4ALL LP PRE](#) [LCA 100W 250-700MA ONE4ALL LP PRE](#)