

## Radio Transmitter module with crystal oscillator 433.92MHz - ASK/OOK Modulation

RCTX-434 is a transmitter module with crystal oscillator, allow to realize a complete Remote Keyless adding a coding circuit.

ASK/OOK Modulation. Metallic shield.  
3 Volt version. 5 Volt version.



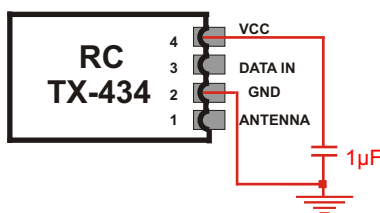
On request is possible to customize the frequency.

### Technical Characteristics

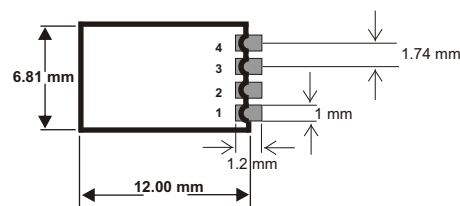
Characteristics	MIN	TYP	MAX	UNIT
V <sub>cc</sub> Supply Voltage (5 Volt version)	4	5	12	Vdc
V <sub>cc</sub> Supply Voltage (3 Volt version)	2.2	3	3.6	Vdc
I Supply Current ( TX mode)		21		mA
I <sub>s</sub> Current Consumption (standby mode)		< 1		μA
P <sub>o</sub> RF Power Output		11		dBm
F XTAL Frequency		433.92		MHz
F Frequency Tolerance		+/- 20		KHz
Max Data Rate			50	Kbit/s
Power Up Time			1	ms
T <sub>OP</sub> Operating Temperature Range	-25		+80	°C

### Pin Description

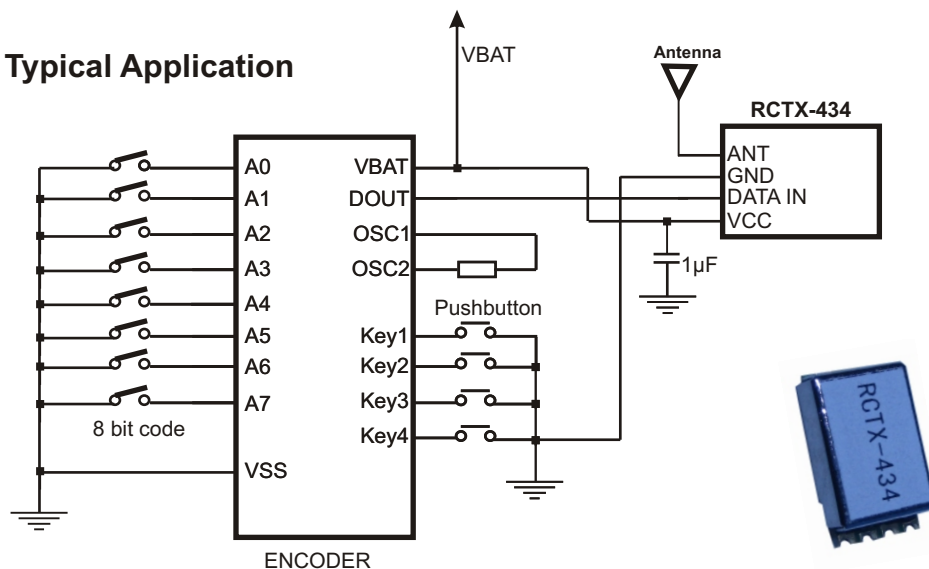
Pads	Name	Description
1	ANT	External Antenna
2	GND	Ground
3	DATA IN	Data Input
4	VCC	Power Supply



### Mechanical dimensions



### Typical Application



### Applications :

- Wireless security systems
- Home and building automation
- Automatic Measure Reading
- Wireless Sensor Network

## X-ON Electronics

Largest Supplier of Electrical and Electronic Components

*Click to view similar products for [RF Modules](#) category:*

*Click to view products by [Radiocontrolli](#) manufacturer:*

Other Similar products are found below :

[HMC-C009](#) [HMC-C011](#) [nRF24L01P-MODULE-PCB](#) [HMC-C021](#) [HMC-C024](#) [XB9XT-DPRS-721](#) [XBP9B-DMUTB022](#) [nRF24L01P-MODULE-SMA](#) [CMD-KEY2-418-CRE](#) [XM-C92-2P-UA](#) [XB9XT-DPUS-721](#) [V640-A90](#) [HMC-C583](#) [MAAM-008818-TR3000](#) [MTSMC-H5-U](#) [SIMSA868-PRO](#) [SIMSA915C-PRO](#) [SIMSA868C-PRO](#) [SIMSA433C-PRO](#) [SIMSA915-PRO](#) [XBP9B-DMUT-042](#) [HMC-C582](#) [HMC-C022](#) [XBP9B-DPST-041](#) [XBP9B-DMWT-042](#) [SM-MN-00-HF-RC](#) [HMC-C031](#) [MT-02](#) [M1002GB](#) [702-W](#) [SIMSA868C-N-PRO](#) [SIMSA433C-N-PRO](#) [SIMSA915C-N-PRO](#) [ADP-R202-00B](#) [PEPPER WIRELESS C1 USB](#) [S2-10732-Z1T61](#) [S2-107XB-Z2356-Z2352](#) [S2-10672-Z1L85](#) [S2-10686-Z1L1D](#) [S2-10688-Z1L1T](#) [S2-106BA-Z1P20](#) [S2-1060C-Z1F0A](#) [S2-106R4-Z1Q6F-Z1Q6Q](#) [S2-106R4-Z1Q6J-Z1Q6Q](#) [S2-106RB-Z1Q6V-Z1Q6Q](#) [S2-107DR-Z1Y5B](#) [SU60-2230C-PU](#) [RC-TFSK3-868](#) [NANO RFID POE](#) [650201424G](#)