


CAMBLOCK

3.5mm Pitch Pluggable Rising Clamp Terminal

- 2-20 pole solid block
- Pluggable male-female connectors
- Professional rising clamp terminals
- Closed headers
- Polarised mouldings
- Moulded in green UL94-V0 flame retardant PA66
- 0.13-1.3mm² (26-16AWG) solid & stranded cable
- Captive screws
- Guided pin alignment
-  approved

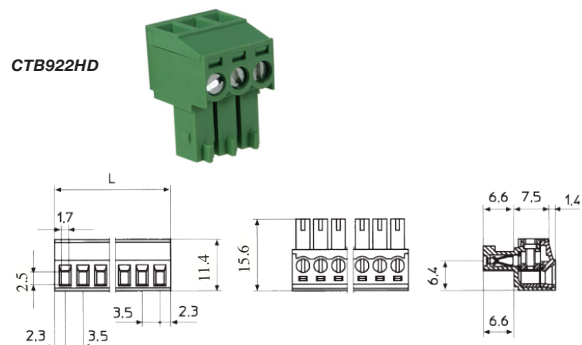
SPECIFICATION

Rating	10A/200V
Dielectric strength	≥2.5kV
Working temperature	-33°C to +120°C
Moulding	UL94-V0 flame retardant PA
Pin/terminal	Tinned phosphor bronze
Rising clamp	Nickel copper flash brass
Screw/torque	M2 steel Tin plated, 0.3Nm
Recommended PCB hole size	ø1.2mm

PCB
TERMINAL
BLOCKS

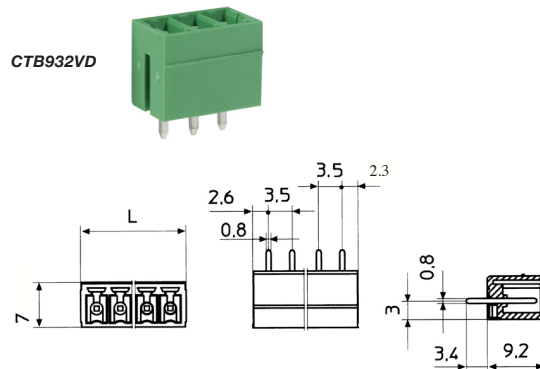
Female connector

TYPE NO.	POLES	LENGTH	TYPE NO.	POLES	LENGTH
CTB922HD/2	2	7mm	CTB922HD/12	12	42mm
CTB922HD/3	3	10.5mm	CTB922HD/13	13	45.5mm
CTB922HD/4	4	14mm	CTB922HD/14	14	49mm
CTB922HD/5	5	17.5mm	CTB922HD/15	15	52.5mm
CTB922HD/6	6	21mm	CTB922HD/16	16	56mm
CTB922HD/7	7	24.5mm	CTB922HD/17	17	59.5mm
CTB922HD/8	8	28mm	CTB922HD/18	18	63mm
CTB922HD/9	9	31.5mm	CTB922HD/19	19	66.5mm
CTB922HD/10	10	35mm	CTB922HD/20	20	70mm
CTB922HD/11	11	38.5mm			



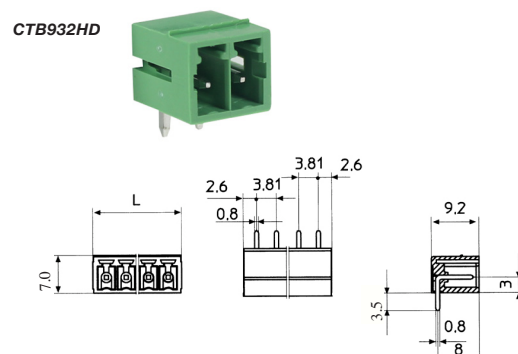
PCB mounting male vertical (closed ended)

TYPE NO.	POLES	LENGTH	TYPE NO.	POLES	LENGTH
CTB932VD/2	2	8.4mm	CTB932VD/12	12	43.4mm
CTB932VD/3	3	11.9mm	CTB932VD/13	13	46.9mm
CTB932VD/4	4	15.4mm	CTB932VD/14	14	50.4mm
CTB932VD/5	5	18.9mm	CTB932VD/15	15	53.9mm
CTB932VD/6	6	22.4mm	CTB932VD/16	16	57.4mm
CTB932VD/7	7	25.9mm	CTB932VD/17	17	60.9mm
CTB932VD/8	8	29.4mm	CTB932VD/18	18	64.4mm
CTB932VD/9	9	32.9mm	CTB932VD/19	19	67.9mm
CTB932VD/10	10	36.4mm	CTB932VD/20	20	71.4mm
CTB932VD/11	11	39.9mm			



PCB mounting male horizontal (closed ended)

TYPE NO.	POLES	LENGTH	TYPE NO.	POLES	LENGTH
CTB932HD/2	2	8.4mm	CTB932HD/12	12	43.4mm
CTB932HD/3	3	11.9mm	CTB932HD/13	13	46.9mm
CTB932HD/4	4	15.4mm	CTB932HD/14	14	50.4mm
CTB932HD/5	5	18.9mm	CTB932HD/15	15	53.9mm
CTB932HD/6	6	22.4mm	CTB932HD/16	16	57.4mm
CTB932HD/7	7	25.9mm	CTB932HD/17	17	60.9mm
CTB932HD/8	8	29.4mm	CTB932HD/18	18	64.4mm
CTB932HD/9	9	32.9mm	CTB932HD/19	19	67.9mm
CTB932HD/10	10	36.4mm	CTB932HD/20	20	71.4mm
CTB932HD/11	11	39.9mm			



X-ON Electronics

Largest Supplier of Electrical and Electronic Components

Click to view similar products for [camden manufacturer](#):

Other Similar products are found below :

[412689X](#) [CTBP92VE/12R](#) [CTBP9350/12](#) [IND515205-240-T/GRN](#) [IND515205-240-T/RD](#) [IND5032405-240-T/GRN](#) [CE10.00.EI](#)
[C192SHAND](#) [CNMB/6ST/2](#) [CNMB/4ST/2](#) [CSACST004](#) [CTBP9200/9](#) [CIME/M/BE2250SS](#) [CHH64E1BL](#) [CIM/15W-DMFS](#) [CHHBAT2GY](#)
[CFTBN/2](#) [CCB2S1/04](#) [CHDX6-221C](#) [CHDX8-224](#) [CHDASMP29](#) [CHDASMP34](#) [CHDX810DD](#) [CHDX811DD](#) [CCTTM40LR](#)
[CTBP92VJ/5S](#) [CTBP92VJ/8R](#) [CTSN431/12/M](#) [CTSN433/12/M](#) [CUABOX006](#) [CE10.00.FM](#) [CBRPH-BLK](#) [BIM2003/13-WH/WH](#)
[RX2008/S-5-WH](#) [CBARD-CAR](#) [CRDCG0007](#) [CNMB/4/KIT](#) [CTB5050/5](#) [CTBP92HE/11](#) [CTBP9358/10AO](#) [CHH66C2GY](#) [CHH456PBK](#)
[CHH451ABK](#) [CIM/9W-DMFS](#) [CIM/25W-DMFS](#) [RTM5006/16-NC-BLK](#) [IND5032405-125-T/AMB](#) [CCB1S1/03](#) [CCD2S1/04](#) [CCE1S1/05](#)