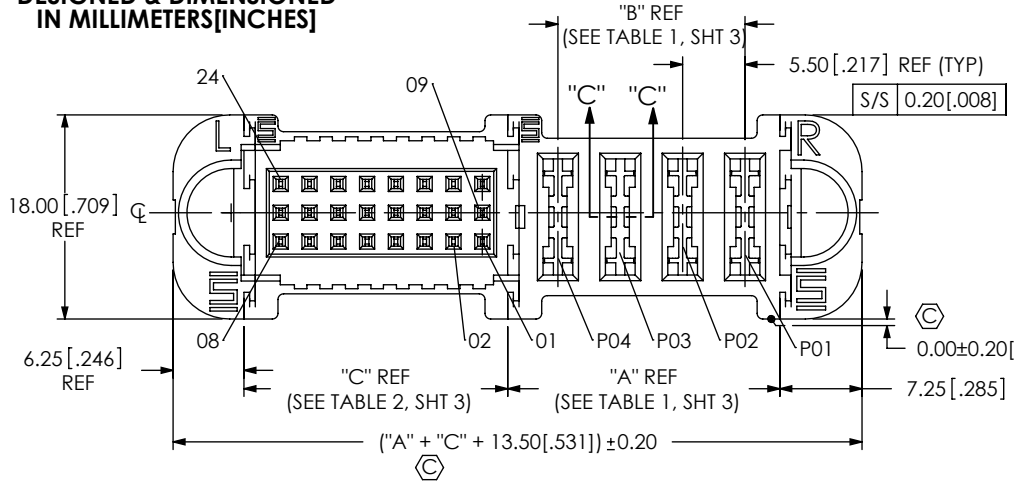


DESIGNED & DIMENSIONED
IN MILLIMETERS [INCHES]

DO NOT
SCALE FROM
THIS PRINT



ET60S-XX-XX-XX-X-VXX-GP

POWER POS (RIGHT)
-00, *-01, -02, -03, -04, *-05, -06, *-07, *-08, *-09, *-10

SIGNAL POS (TOTAL)
-00, *-06, *-12, *-18, -24, *-30, *-36

POWER POS (LEFT)
-00, *-01, -02, -03, -04, *-05, -06, *-07, *-08, *-09, *-10

GUIDE POST

TAIL
-VT1: VT-TH, .062" PCB
*-VT2: VT-TH, .093" PCB
-VP: PRESS FIT

PLATING SPECIFICATION
-L: 10 μ" SELECTIVE GOLD IN CONTACT AREA, MATTE TIN ON TAIL
-S: 30 μ" SELECTIVE GOLD IN CONTACT AREA, MATTE TIN ON TAIL

(* = NOT TOOLED)
(** = NON-RELEASED FOR PRODUCTION)

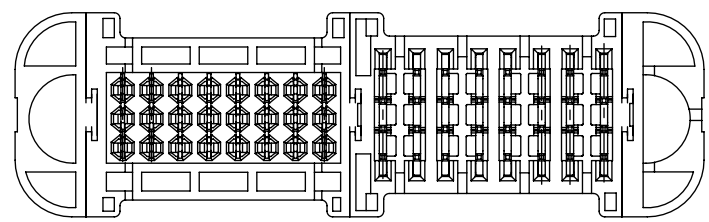
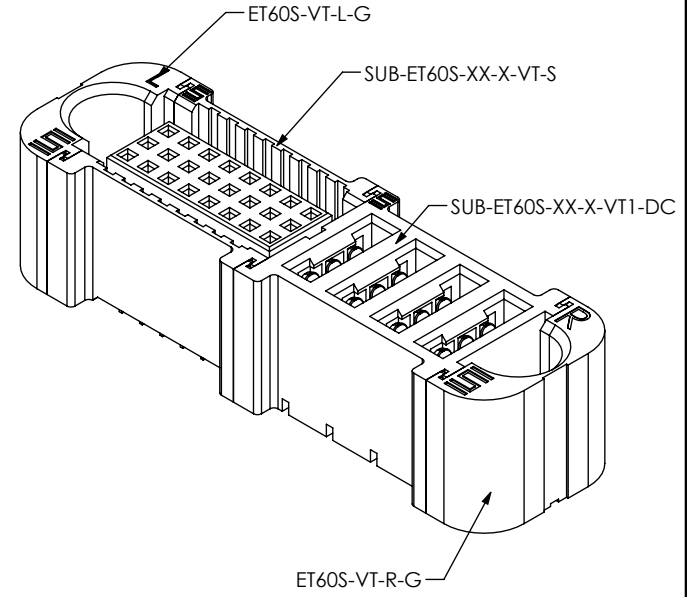
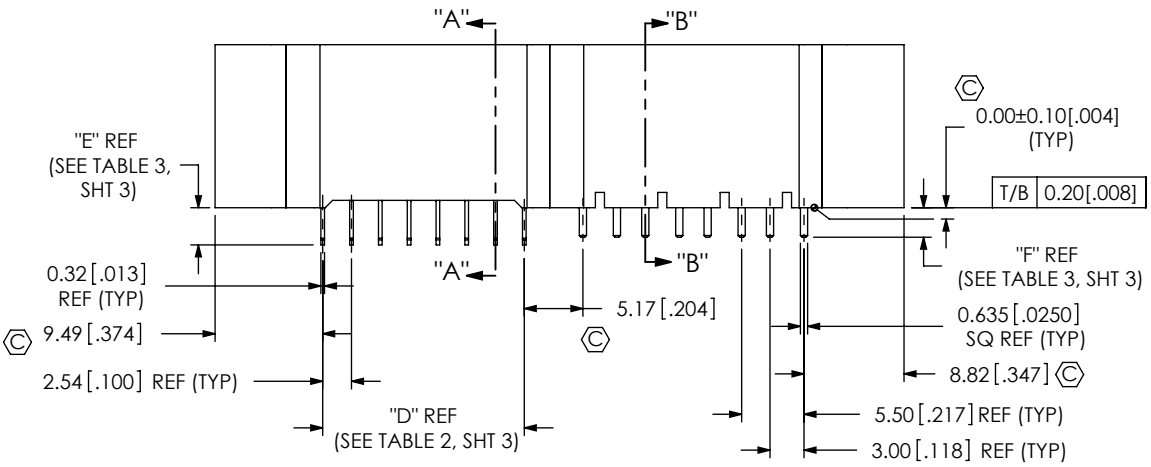


FIG 1
ET60S-04-24-00-X-VT1-GP SHOWN

NOTES:

1. Ⓢ REPRESENTS A CRITICAL DIMENSION.
2. MINIMUM PUSHOUT FORCE: 3.0 LBS FOR SIGNAL & POWER PINS.
3. CONTACT SAMTEC FOR CONNECTOR PRESS FIT INSTRUCTIONS AND REQUIRED FIXTURES.
4. MAXIMUM BURR ALLOWANCE: 0.038[.0015].
5. ASSEMBLIES TO BE PACKAGED IN TRAYS.

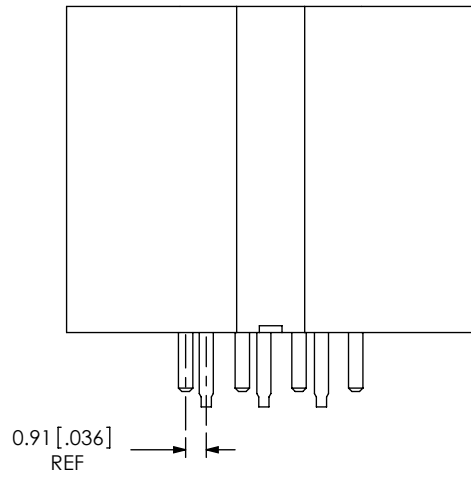
UNLESS OTHERWISE SPECIFIED,
DIMENSIONS ARE IN MILLIMETERS.
TOLERANCES ARE:
DECIMALS ANGLES
X.X: ±0.3 [.01] 2°
X.XX: ±0.13 [.005]
X.XXX: ±0.051 [.0020]

PROPRIETARY NOTE
THIS DOCUMENT CONTAINS INFORMATION
CONFIDENTIAL AND PROPRIETARY TO
SAMTEC, INC. AND SHALL NOT BE REPRODUCED
OR TRANSFERRED TO OTHER DOCUMENTS OR
DISCLOSED TO OTHERS OR USED FOR ANY
PURPOSE OTHER THAN THAT WHICH IT WAS
OBTAINED WITHOUT THE EXPRESSED WRITTEN
CONSENT OF SAMTEC, INC.

samtec
520 PARK EAST BLVD., NEW ALBANY, IN 47150
PHONE: 812-944-6733 FAX: 812-948-5047
e-Mail: info@SAMTEC.com code 53322

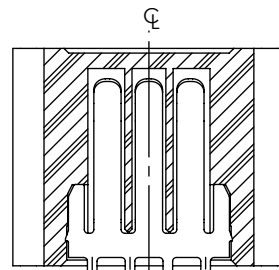
MATERIAL: DO NOT SCALE DRAWING SHEET SCALE: 1:5:1
INSULATOR: LCP, COLOR: BLACK
SIGNAL CONTACT: COPPER ALLOY
POWER CONTACT: COPPER ALLOY

DESCRIPTION:
VERTICAL SOCKET ET60 POWER ASSEM
DWG. NO.
ET60S-XX-XX-XX-X-VXX-GP



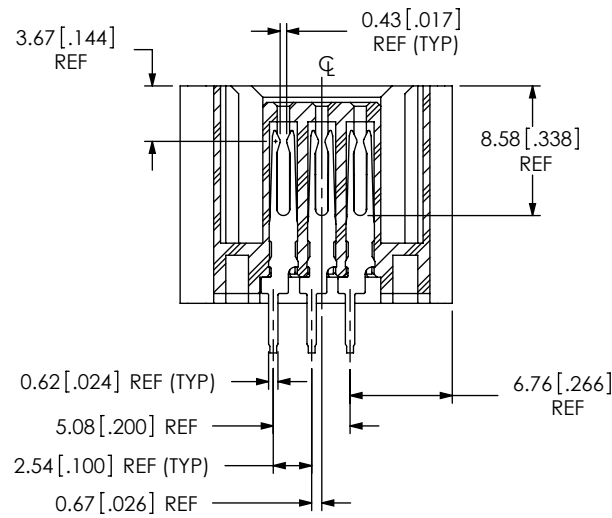
SIDE VIEW
SCALE 3 : 1

0.91 [.036]
REF



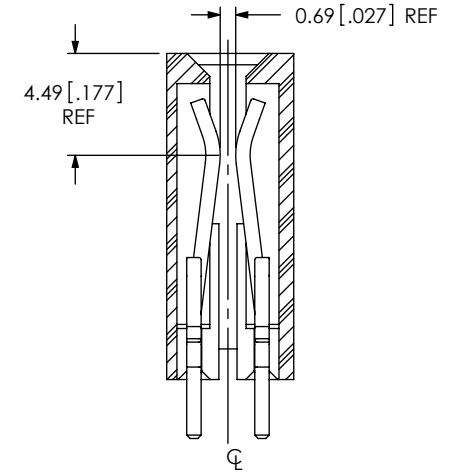
SECTION "B"-"B"
SCALE 2 : 1

7.50 [.295] REF
2.50 [.098] REF (TYP)



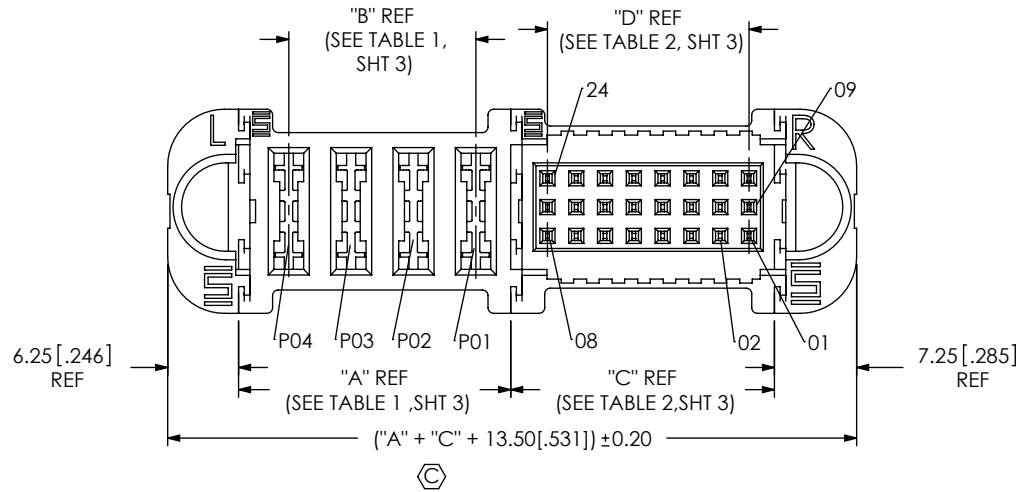
SECTION "A"-"A"
SCALE 2 : 1

3.67 [.144] REF
0.43 [.017] REF (TYP)
8.58 [.338] REF
0.62 [.024] REF (TYP)
5.08 [.200] REF
2.54 [.100] REF (TYP)
0.67 [.026] REF
6.76 [.266] REF



SECTION "C"-"C"
SCALE 3 : 1

4.49 [.177] REF
0.69 [.027] REF



"B" REF (SEE TABLE 1, SHT 3)
"D" REF (SEE TABLE 2, SHT 3)
24
09
P04 P03 P02 P01
08
02 01
7.25 [.285] REF
"A" REF (SEE TABLE 1, SHT 3)
"C" REF (SEE TABLE 2, SHT 3)
("A" + "C" + 13.50 [.531]) ±0.20

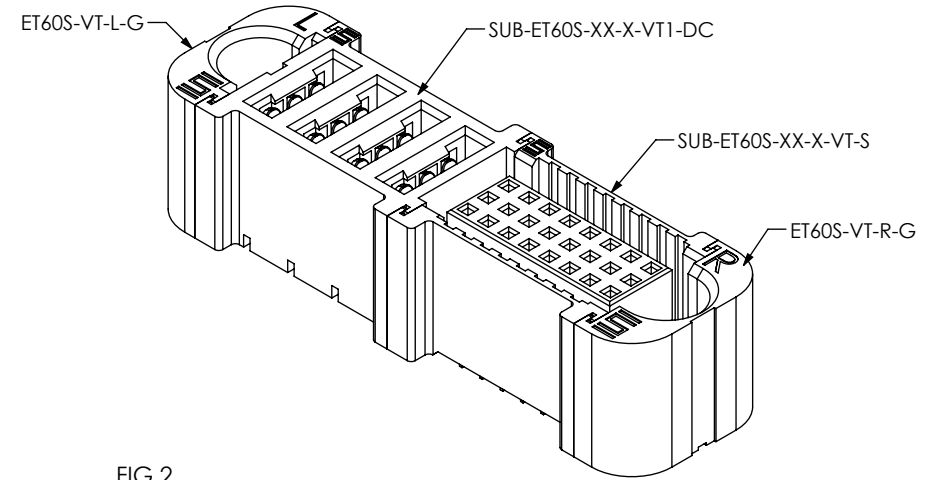
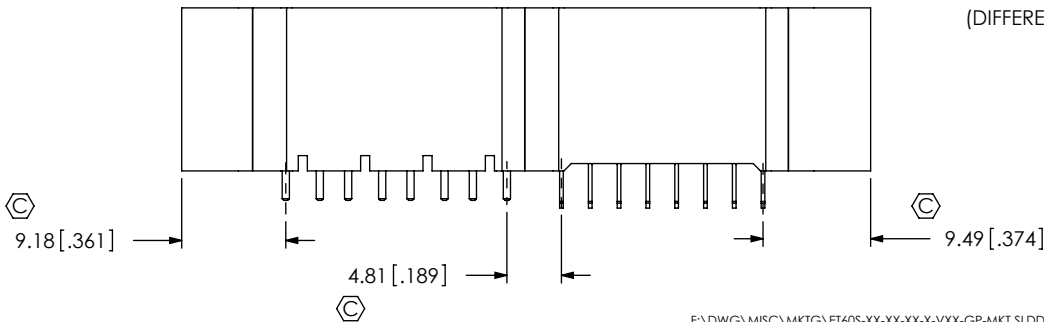


FIG 2
ET60S-00-24-04-X-VT1-GP SHOWN
(DIFFERENT AS SHOWN, OTHERWISE SAME AS FIG 1)



9.18 [.361]
4.81 [.189]
9.49 [.374]

PROPRIETARY NOTE

THIS DOCUMENT CONTAINS INFORMATION CONFIDENTIAL AND PROPRIETARY TO SAMTEC, INC. AND SHALL NOT BE REPRODUCED OR TRANSFERRED TO OTHER DOCUMENTS OR DISCLOSED TO OTHERS OR USED FOR ANY PURPOSE OTHER THAN THAT WHICH IT WAS OBTAINED WITHOUT THE EXPRESSED WRITTEN CONSENT OF SAMTEC, INC.

DO NOT SCALE DRAWING

SHEET SCALE: 1.5:1



520 PARK EAST BLVD, NEW ALBANY, IN 47150
PHONE: 812-944-6733 FAX: 812-948-5047
e-Mail info@SAMTEC.com code 55322

DESCRIPTION:
VERTICAL SOCKET ET60 POWER ASSEM

DWG. NO.
ET60S-XX-XX-XX-X-VXX-GP

BY: ROY LUO 08/02/2011 SHEET 2 OF 4

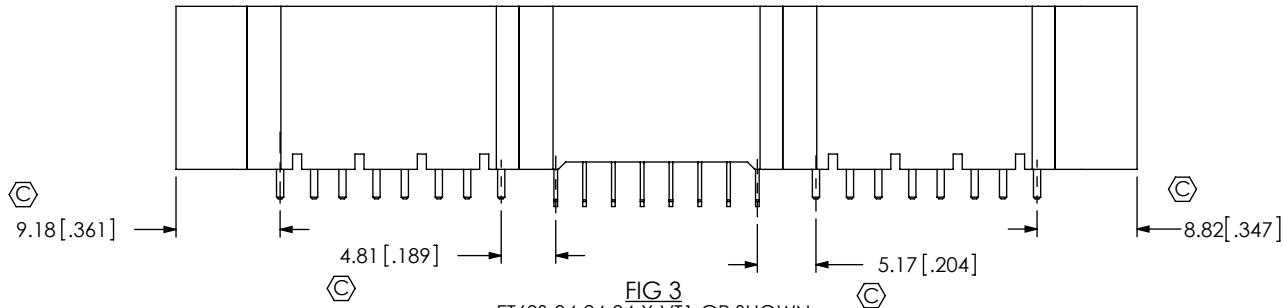
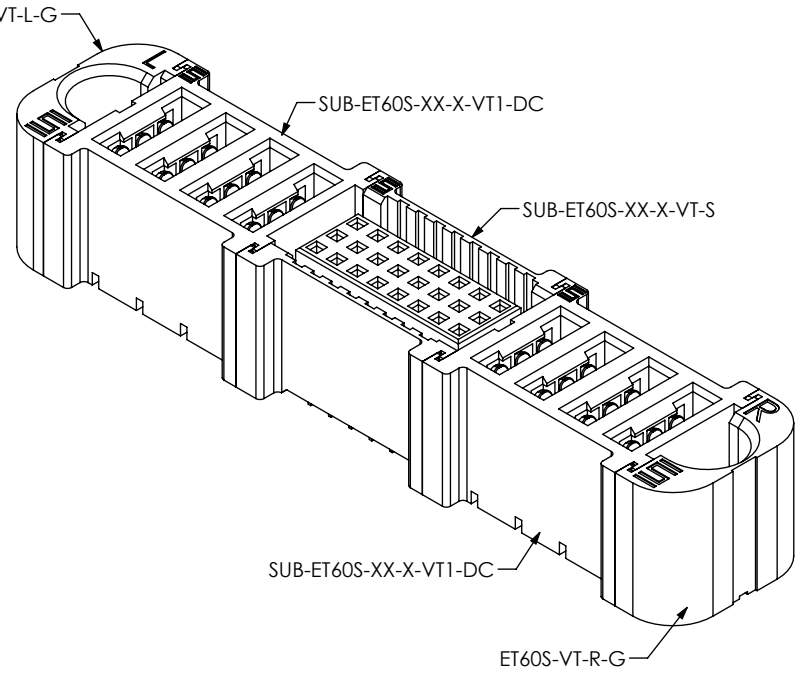
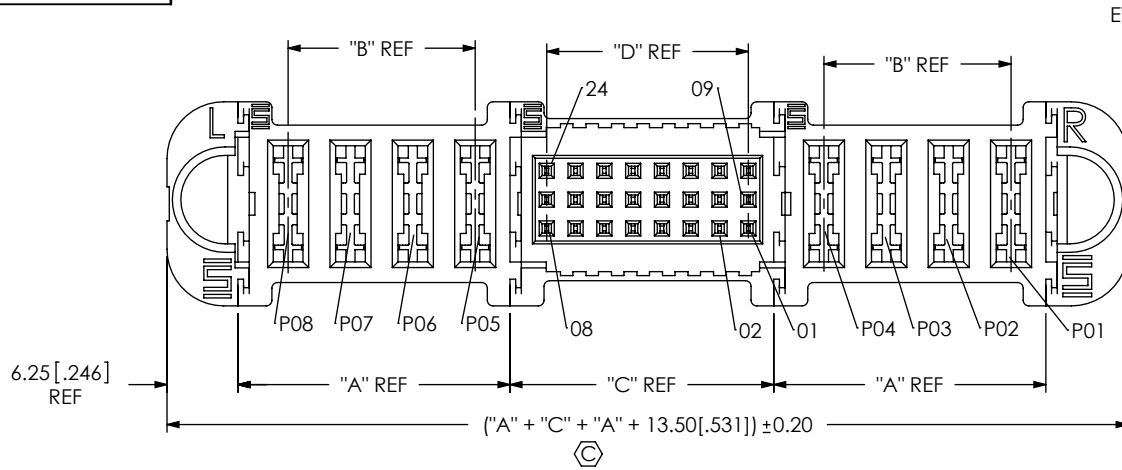


FIG 3
ET60S-04-24-04-X-VT1-GP SHOWN
(DIFFERENT AS SHOWN, OTHERWISE SAME AS FIG 1)

TABLE 1		
POWER POS	"A"	"B"
*-01	7.50 [0.295]	N/A
-02	13.00 [0.512]	5.50 [0.217]
-03	18.50 [0.728]	11.00 [0.433]
-04	24.00 [0.945]	16.50 [0.650]
*-05	29.50 [1.161]	22.00 [0.866]
-06	35.00 [1.378]	27.50 [1.083]
*-07	40.50 [1.594]	33.00 [1.299]
*-08	46.00 [1.811]	38.50 [1.516]
*-09	51.50 [2.028]	44.00 [1.732]
*-10	57.00 [2.244]	49.50 [1.949]

(* = NOT TOOLED)

TABLE 2		
SIGNAL POS	"C"	"D"
*.06	8.02 [0.316]	2.54 [0.100]
*.12	13.10 [0.516]	7.62 [0.300]
*.18	18.18 [0.716]	12.70 [0.500]
-24	23.26 [0.916]	17.78 [0.700]
*.30	28.34 [1.116]	22.86 [0.900]
*.36	33.42 [1.316]	27.94 [1.100]

(* = NOT TOOLED)

TABLE 3		
TAIL	"E"	"F"
-.VT1	3.28 [0.129]	2.60 [0.102]
*.VT2	4.06 [0.160]	3.38 [0.133]
-.VP	3.28 [0.129]	2.83 [0.111]

(* = NOT TOOLED)

PROPRIETARY NOTE

THIS DOCUMENT CONTAINS INFORMATION CONFIDENTIAL AND PROPRIETARY TO SAMTEC, INC. AND SHALL NOT BE REPRODUCED OR TRANSFERRED TO OTHER DOCUMENTS OR DISCLOSED TO OTHERS OR USED FOR ANY PURPOSE OTHER THAN THAT WHICH IT WAS OBTAINED WITHOUT THE EXPRESSED WRITTEN CONSENT OF SAMTEC, INC.

DO NOT SCALE DRAWING

SHEET SCALE: 3:2



520 PARK EAST BLVD, NEW ALBANY, IN 47150
PHONE: 812-944-6733 FAX: 812-948-5047
e-Mail: info@SAMTEC.com code 55322

DESCRIPTION:
VERTICAL SOCKET ET60 POWER ASSEM

DWG. NO.
ET60S-XX-XX-XX-X-VXX-GP

BY: ROY LUO 08/02/2011 SHEET 3 OF 4

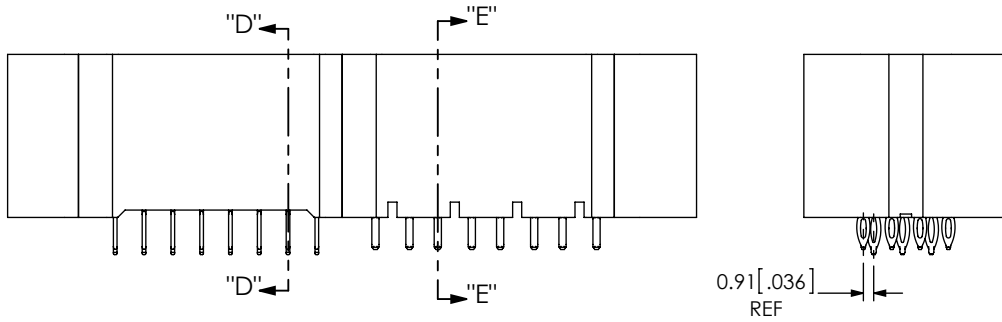
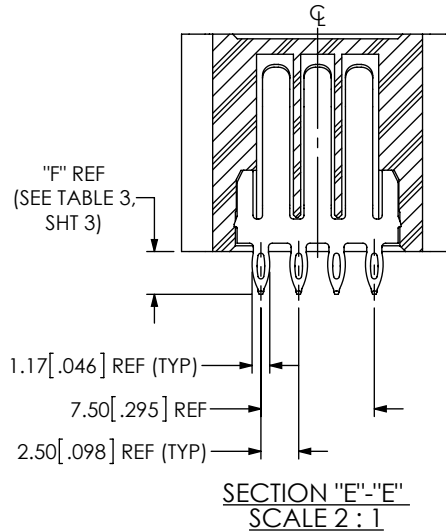
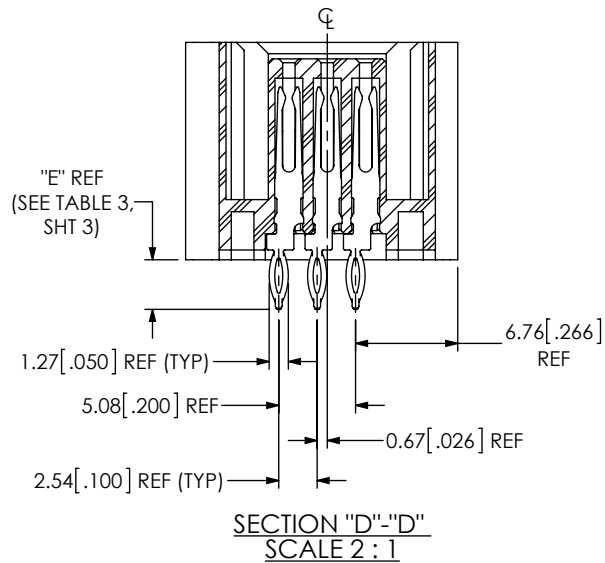
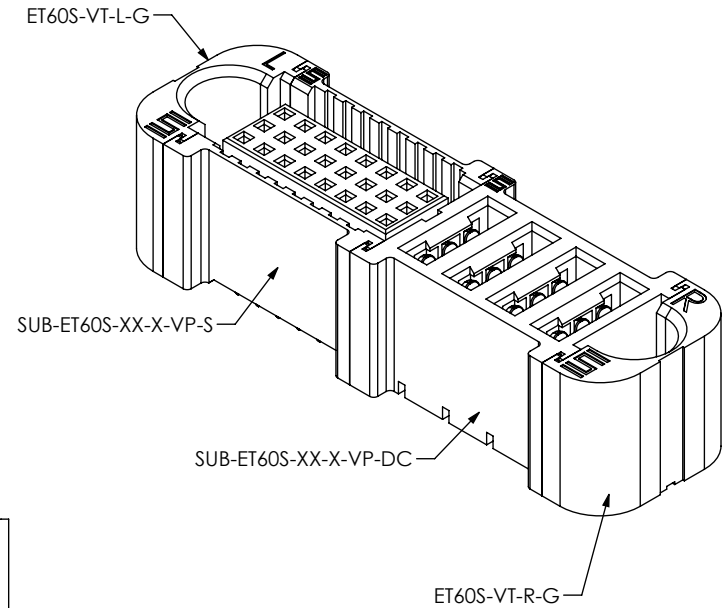


FIG 4
ET60S-04-24-00-X-VP-GP SHOWN
(DIFFERENT AS SHOWN, OTHERWISE SAME AS FIG 1)



PROPRIETARY NOTE
THIS DOCUMENT CONTAINS INFORMATION CONFIDENTIAL AND PROPRIETARY TO SAMTEC, INC. AND SHALL NOT BE REPRODUCED OR TRANSFERRED TO OTHER DOCUMENTS OR DISCLOSED TO OTHERS OR USED FOR ANY PURPOSE OTHER THAN THAT WHICH IT WAS OBTAINED WITHOUT THE EXPRESSED WRITTEN CONSENT OF SAMTEC, INC.

DO NOT SCALE DRAWING

SHEET SCALE: 3:2

samtec

520 PARK EAST BLVD, NEW ALBANY, IN 47150
PHONE: 812-944-6733 FAX: 812-948-5047
e-Mail: info@SAMTEC.com code 55322

DESCRIPTION:
VERTICAL SOCKET ET60 POWER ASSEM

DWG. NO.
ET60S-XX-XX-XX-X-VXX-GP

BY: ROY LUO 08/02/2011 SHEET 4 OF 4

X-ON Electronics

Largest Supplier of Electrical and Electronic Components

Click to view similar products for [Headers & Wire Housings](#) category:

Click to view products by [Samtec](#) manufacturer:

Other Similar products are found below :

[95000-104TRLF](#) [10135584-644402LF](#) [DF62W-EP2022PCA](#) [95000-106TRLF](#) [DF62W-2022SCA](#) [DF62W-EP2022PC](#) [2203348](#) [DF62W-2022SC](#) [1084018](#) [1029039](#) [1084017](#) [802-10-012-10-002000](#) [1112640](#) [1112639](#) [891-007-9SS-BST1T](#) [000-34000](#) [0008550134](#) [0009482033](#) [0009507031](#) [57102-F02-18ULF](#) [57102-S06-03LF](#) [57202-S52-04LF](#) [PCN6-15S-2.5E](#) [0039019024](#) [58102-G61-06LF](#) [582553-1](#) [0009485154](#) [0009508121](#) [0022285053](#) [0050291907](#) [018731A](#) [LY20-4P-DT1-P1E-BR](#) [02.125.8002.8](#) [60101931](#) [60598-1 \(Cut Strip\)](#) [M1625-3R/100](#) [61062-3](#) [61082-181009](#) [CSU011177004](#) [636-1427](#) [638009-1](#) [641938-9](#) [641991-4](#) [644168-1](#) [644827-2](#) [647662-1](#) [65039-019ELF](#) [65692-001LF](#) [65781-018](#) [65781-047](#)