


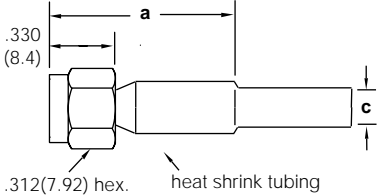
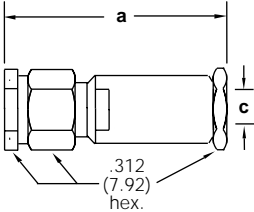
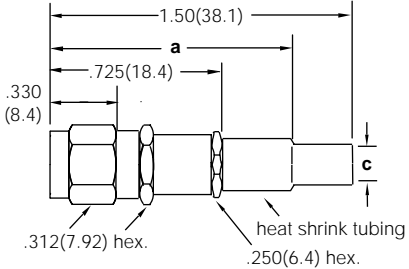


<p>Fig. 1</p> 	<p>Fig. 2</p> 	<p>Fig. 3</p> 
 <p>SMA Plug Braid Solder to Body Captivated Solder Contact <b>901-9501-3</b> for RG-174, 179B, 187A, 188A, 316</p>	 <p>SMA Plugs BeCu Body, Solder to Nut <b>901-103•▲</b> for RG-55, 58, 142, 223 <b>901-128-11•</b> (M39012/55-4007) for RG-174, 316</p>	 <p>SMA Plugs Braid Crimp/ Captivated Solder Contact <b>901-9601-1SF▲</b> Passivated Body &amp; Nut for RG-55B, 142B, 223, 400 <b>901-9601-3▲</b> Gold Plt. Body &amp; Nut <b>901-9601-3SF▲</b> Passivated Body &amp; Nut for RG-174, 179, 187, 188, 316</p>

## SMA PLUGS FOR FLEXIBLE CABLE – 50Ω impedance

Cable RG-/U	Cable Attachment		Dim. In. (mm)		CAI	Plt.	Ins.	Construction Notes	Mil. No. 39012/	Amphenol Number	Fig.
	Outer	Inner	a	c							
55, 58, 141, 142, 223	Clamp	Solder	.969(24.6)	.219(5.6)	C43	P9	D1	BeCu Body	—	•▲ <b>901-103</b>	2
55B, 142B, 223, 400	Crimp	Solder	1.10(28.0)	.220(5.6)	C56	P12	D1	Captivated Contact	—	▲ <b>901-9601-1SF</b>	3
174, 179, 187, 188, 316	Crimp	Solder	1.10(28.0)	.128(3.3)	C56	P9	D1	Captivated Contact	—	▲ <b>901-9601-3</b>	3
	Crimp	Solder	1.10(28.0)	.128(3.3)	C56	P12	D1	Captivated Contact	—	▲ <b>901-9601-3SF</b>	3
174, 179B, 187A, 188A, 316	Solder	Solder	.690(17.5)	.128(3.3)	C46	P11	D1	—	—	<b>901-9501-3</b>	1
174, 316	Clamp	Solder	.984(25.0)	.114(2.9)	C44	P9	D1	BeCu Body	55-4007	• <b>901-128-11</b>	2

• safety wire holes ▲ distributor stocked

## X-ON Electronics

Largest Supplier of Electrical and Electronic Components

*Click to view similar products for [RF Mil Spec Connectors](#) category:*

*Click to view products by [Amphenol](#) manufacturer:*

Other Similar products are found below :

[M390303-02N](#) [M39030/3-04S](#) [M55339/38-00001](#) [GTS01-16-10S-116](#) [CTVP00RW-25-35S\(506\)](#) [M39012/55-3106](#) [M39012/55-3125](#)  
[M39012/55-3008](#) [M39012/55-3107](#) [M39012/55-3027](#) [UG-23D/U\(40\)](#) [UG-306/U\(40\)](#) [M55339/28-30002](#) [UG-492/U](#) [M39012/55-3126](#) [UG-](#)  
[29B/U\(45\)](#) [UG-274/U\(40\)](#) [625-MAGNET](#) [M39012/28-0010](#) [M39012/26-0101](#) [M39030/5-06N](#) [M39012/79-3108](#) [M39012/79B3001](#)  
[SMA2071A1-3GT50G-50](#) [1112-6138](#) [M39012/16-0101](#) [M3901225-0015](#) [M3901225-0111](#) [M3901225-0120](#) [M3901225-3027](#) [M39012/26-](#)  
[0012](#) [M39012/26B0015](#) [M39012/28-0022](#) [M3901229-0101](#) [M39012/31-0002](#) [M39012/33-0001](#) [M39012/55-3006](#) [M39012/55-3028](#)  
[M39012/55-3109](#) [M39012/55-3128](#) [M3901255-3129](#) [M3901255B3012](#) [M39012/55B3015](#) [M3901255B3112](#) [M39012/55B3116](#) [M39012/56-](#)  
[3106](#) [M39012/56-3107](#) [M39012/56-3109](#) [M39012/56B3019](#) [M39012/56B3021](#)