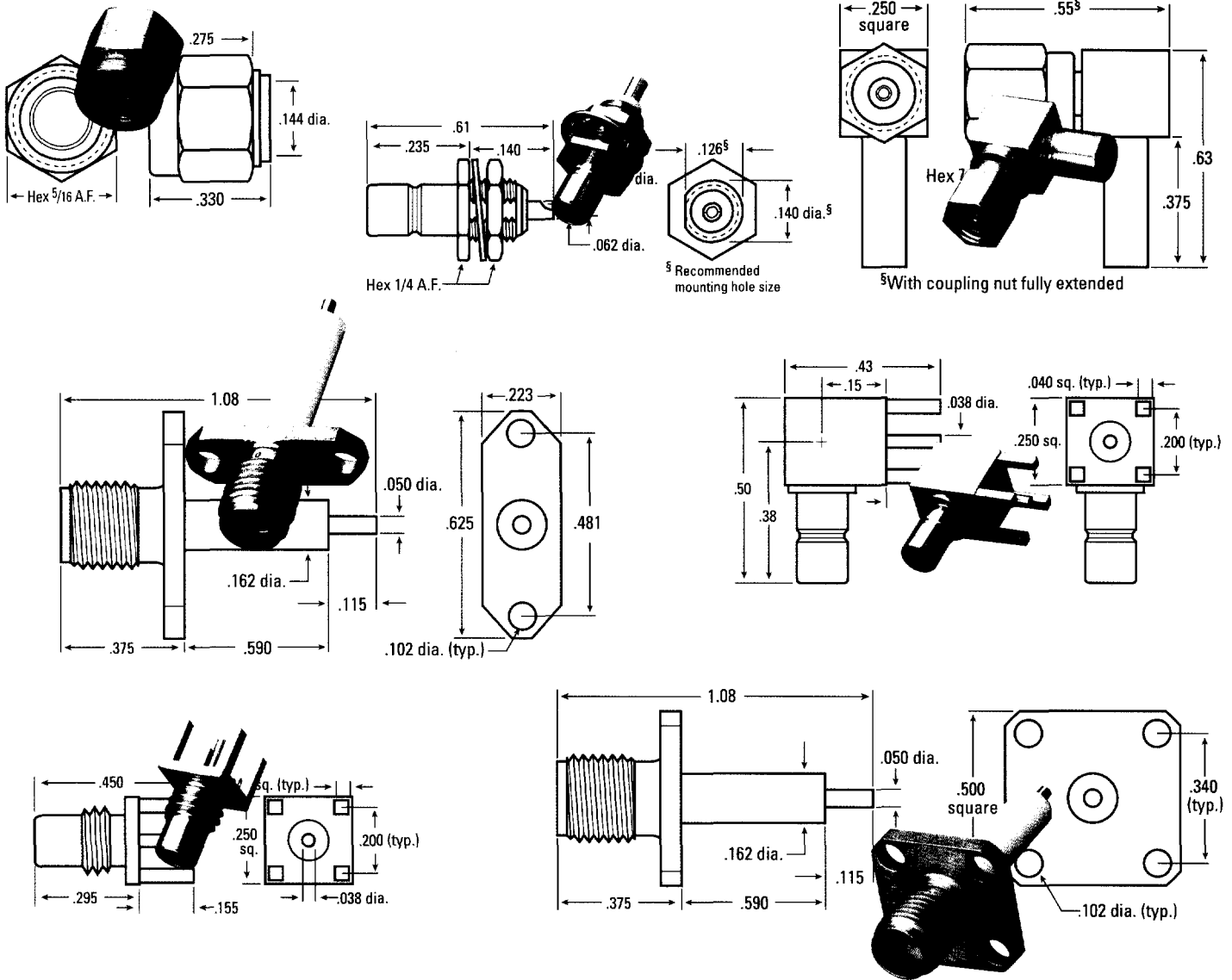


MIL-PRF-39012 RF CONNECTORS

Series SMA, SMB, and SMC



APPLIED ENGINEERING PRODUCTS

104 John W. Murphy Drive • P.O. Box 510
New Haven, CT 06513
(203) 776-2813 • FAX (203) 776-8294

ISO 9001
CERTIFIED

APEPS00010



In order to avoid presenting information that may rapidly become obsolete due to the frequently-changing nature of MIL-PRF-39012, these listings describe our QPL connectors by description of their configuration only. For up-to-date information on dimensions, plating specifications, or performance requirements, please call AEP or consult the current release of MIL-PRF-39012.

SMA Series



All AEP SMA series QPL connectors have passivated stainless steel bodies and coupling nuts, except direct-solder plugs and jacks for semi-rigid cable. These items have gold-plated bodies for solderability.

Straight plug for flexible cable, clamp type (Category A)

Cable	With lockwire holes	No lockwire holes
RG-178	M39012/55-3006	M39012/55-3106
RG-316	M39012/55-3007	M39012/55-3107
RG-122	M39012/55-3008	M39012/55-3108
RG-58,142	M39012/55-3009	M39012/55-3109
RG-303	M39012/55-3010	M39012/55-3110

Bulkhead jack for flexible cable, clamp type (Category A)

Cable	MIL P/N
RG-178	M39012/59-3006
RG-316	M39012/59-3007
RG-122	M39012/59-3008
RG-58,142	M39012/59-3009
RG-303	M39012/59-3010

Straight plug for flexible cable, crimp type (Category C)

Cable	With lockwire holes	No lockwire holes
RG-178	M39012/55-3025	M39012/55-3125
RG-316	M39012/55-3026	M39012/55-3126
RG-122	M39012/55-3027	M39012/55-3127
RG-142	M39012/55-3028	M39012/55-3128
RG-58, 303	M39012/55-3029	M39012/55-3129

Bulkhead jack for semi-rigid cable, solder-clamp type (Category B)

Cable	MIL P/N
RG-405	M39012/83B3003
RG-402	M39012/83B3004

Straight plug for semi-rigid cable, solder-clamp type (Category B)

Cable	With lockwire holes	No lockwire holes
RG-405	M39012/79B3003	M39012/79B3103
RG-402	M39012/79B3004	M39012/79B3104

Flange mount panel jack receptacle, solder pot contact

4-hole flange	2-hole flange
M39012/60-3001	M39012/60-3002

Straight plug for .141" semi-rigid cable, direct-solder type (Category B)

(Uses cable dielectric and center conductor as insulator and contact)

Cable	With lockwire holes	No lockwire holes
RG-405	M39012/92B3001	M39012/92B3101

Bulkhead jack receptacle, solder pot contact

Rear mount	Front mount
M39012/61-3001	M39012/61-3002




APPLIED ENGINEERING PRODUCTS

104 John W. Murphy Drive • P.O. Box 510 • New Haven, CT 06513
(203) 776-2813 • FAX (203) 776-8294



SMB and SMC Series

 AEP SMB and SMC series QPL connectors have gold or silver plated bodies as noted.

Straight plug for flexible cable, clamp type (Category A)

Cable	SMB Series		SMC Series	
	Gold plated	Silver plated	Gold plated	Silver plated
RG-178	M39012/67-0003	M39012/67-0103	M39012/73-0003	M39012/73-0103
RG-316	M39012/67-0004	M39012/67-0104	M39012/73-0004	M39012/73-0104

Straight plug for flexible cable, crimp type (Category B)

Cable	SMB Series		SMC Series	
	Gold plated	Silver plated	Gold plated	Silver plated
RG-178	M39012/67B0008	M39012/67B0013	M39012/73B0008	M39012/73B0013
RG-316	M39012/67B0009	M39012/67B0014	M39012/73B0009	M39012/73B0014
RG-179	M39012/67B0010	M39012/67B0015	M39012/73B0010	M39012/73B0015

Right angle plug for flexible cable, clamp type (Category A)

Cable	SMB Series		SMC Series	
	Gold plated	Silver plated	Gold plated	Silver plated
RG-178	M39012/69-0003	M39012/69-0103	M39012/75-0003	M39012/75-0103
RG-316	M39012/69-0004	M39012/69-0104	M39012/75-0004	M39012/75-0104

Right angle plug for flexible cable, crimp type (Category B)

Cable	SMB Series		SMC Series	
	Gold plated	Silver plated	Gold plated	Silver plated
RG-178	M39012/69B0008	M39012/69B0013	M39012/75B0008	M39012/75B0013
RG-316	M39012/69B0009	M39012/69B0014	M39012/75B0009	M39012/75B0014
RG-179	M39012/69B0010	M39012/69B0015	M39012/75B0010	M39012/75B0015

Straight jack for flexible cable, clamp type (Category A)

Cable	SMB Series		SMC Series	
	Gold plated	Silver plated	Gold plated	Silver plated
RG-178	M39012/68-0003	M39012/68-0103	M39012/74-0003	M39012/74-0103
RG-316	M39012/68-0004	M39012/68-0104	M39012/74-0004	M39012/74-0104

Straight jack for flexible cable, crimp type (Category B)

Cable	SMB Series		SMC Series	
	Gold plated	Silver plated	Gold plated	Silver plated
RG-178	M39012/68B0008	M39012/68B0013	M39012/74B0008	M39012/74B0013
RG-316	M39012/68B0009	M39012/68B0014	M39012/74B0009	M39012/74B0014
RG-179	M39012/68B0010	M39012/68B0015	M39012/74B0010	M39012/74B0015

Bulkhead jack for flexible cable, clamp type (Category A)

Cable	SMB Series		SMC Series	
	Gold plated	Silver plated	Gold plated	Silver plated
RG-178	M39012/70-0003	M39012/70-0103	M39012/76-0003	M39012/76-0103
RG-316	M39012/70-0004	M39012/70-0104	M39012/76-0004	M39012/76-0104

Bulkhead jack for flexible cable, crimp type (Category B)

Cable	SMB Series		SMC Series	
	Gold plated	Silver plated	Gold plated	Silver plated
RG-178	M39012/70B0008	M39012/70B0013	M39012/76B0008	M39012/76B0013
RG-316	M39012/70B0009	M39012/70B0014	M39012/76B0009	M39012/76B0014
RG-179	M39012/70B0010	M39012/70B0015	M39012/76B0010	M39012/76B0015

Straight P.C. board jack receptacle

Leg length	SMB Series	
	Gold plated	Silver plated
.155	M39012/95-0001	M39012/95-0004
.125	M39012/95-0002	M39012/95-0005
.093	M39012/95-0003	M39012/95-0006

Right angle P.C. board jack receptacle

Leg length	SMB Series	
	Gold plated	Silver plated
.155	M39012/96-0001	M39012/96-0004
.125	M39012/96-0002	M39012/96-0005
.093	M39012/96-0003	M39012/96-0006

Bulkhead jack receptacle, solder pot contact, rear mount

SMB Series	
Gold plated	Silver plated
M39012/71-0001	M39012/71-0003
SMC Series	
Gold plated	Silver plated
M39012/77-0001	M39012/77-0003

Bulkhead jack receptacle, solder pot contact, front mount

SMB Series	
Gold plated	Silver plated
M39012/71-0002	M39012/71-0004
SMC Series	
Gold plated	Silver plated
M39012/77-0002	M39012/77-0004

In addition to the MIL-PRF-39012 QPL connectors in this brochure, we manufacture a complete line of submarine and general connectors and cable assemblies, including:

- SMA
- SMB
- SMC
- SSMB
- SSMC
- SSMC
- SLB Slide-on
- SSLB Slide-on
- 75Ω Snap-on
- Positive-locking 75Ω plugs
- 75Ω Screw-on
- Surface mount and edge mount
- Vibration-proof float mounts
- Waterproof connectors
- Reverse-polarity SMA and TNC
- Adapters within and between series
- Flexible cable assemblies
- Semi-rigid cable assemblies

Call for your copy of our 184-page full catalog to see them all.



APPLIED ENGINEERING PRODUCTS

104 John W. Murphy Drive • P.O. Box 510
New Haven, CT 06513

(203) 776-2813 • FAX (203) 776-8294

ISO 9001
CERTIFIED

X-ON Electronics

Largest Supplier of Electrical and Electronic Components

Click to view similar products for [radiall](#) manufacturer:

Other Similar products are found below :

[5919-1503-000](#) [7101-1541-010](#) [7105-1561-010](#) [MD11-035](#) [81-6201-0450](#) [9074-9513-000](#) [R113425097](#) [R114305000W](#) [R124075210](#)
[R125055000](#) [R125512000W](#) [R141154000W](#) [R141572000](#) [R143012000](#) [R143235161W](#) [R166268000](#) [R176019000](#) [R191841001W](#)
[R282102000](#) [R282744220](#) [R282918120](#) [R404770000](#) [R413808000](#) [R414430150](#) [R414520150](#) [R433514700](#) [R570022105](#) [R570123005](#)
[R570363010](#) [R570442000](#) [R570E52010](#) [R574402410](#) [R585423230](#) [R114425000](#) [R124510000](#) [R125052500](#) [R125320020W](#) [R141331500W](#)
[R162017000W](#) [R176404000](#) [R191970091](#) [R282750000](#) [R317270000](#) [R404110150](#) [R404280150](#) [R404755000](#) [R413210150](#) [R413303150](#)
[R413830150](#) [R414530150](#)