

3M™ Pak 100 Header Accessories

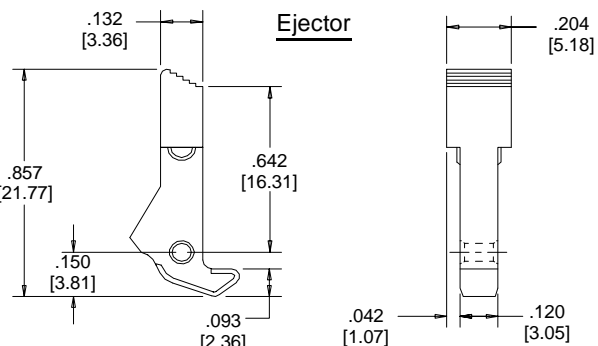
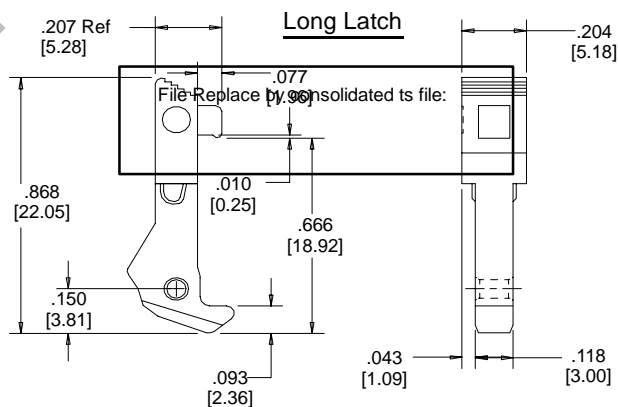
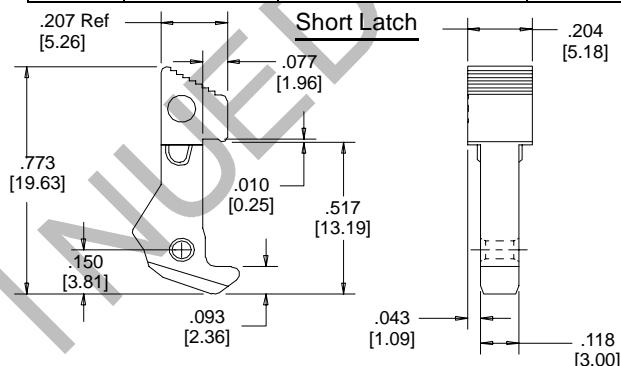
.100" x .100" Latch/Ejector

3400 Series



Roll Pin Latches

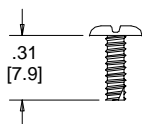
Product	Part Number	Material	Color
Short Latch	3505-2	PBT	Gray
Long Latch	3505-3	PBT	Gray
Ejector	3505-4	Nickel Plated Zinc Alloy	Nickel



Note: Roll Pins included with latches.

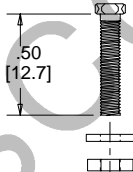
Mounting Hardware

3341-5
(Installed from bottom of board)



Panhead Thread Cutting
Screw: #4-24 X 5/16"
Type: USA Std BT, Federal BG

3341-6
(Installed with Latches removed)

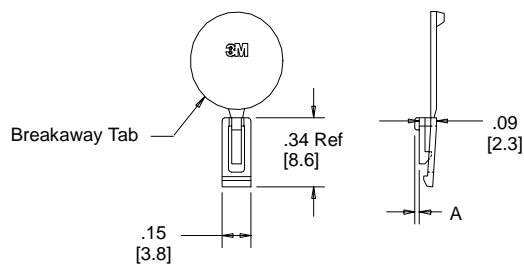


Hex Head Bolt, Nut and Washer
Bolt - #2-56 X 1/2"

3341-5 & 6
Material - Stainless Steel

Polarizing Keys

Part Number	Material	Color	Dim A
3518	PBT	Gray	.02



Note: #2216 B/A Scotchweld can be used to adhere keys.

Polarizing Post

.321 [8.15]	<table border="1"> <thead> <tr> <th>Part Number</th> <th>Material</th> <th>Color</th> </tr> </thead> <tbody> <tr> <td>3201-3</td> <td>PBT</td> <td>Gray</td> </tr> <tr> <td>3201-4</td> <td>LCP</td> <td>Black</td> </tr> </tbody> </table>	Part Number	Material	Color	3201-3	PBT	Gray	3201-4	LCP	Black
Part Number		Material	Color							
3201-3	PBT	Gray								
3201-4	LCP	Black								
.100 Dia [2.54]										

Note: Insert Post into one mounting hardware hole on bottom of header. Set post to protrude .115".

TS-0162-15
Sheet 1 of 2

3M™ Header Accessories

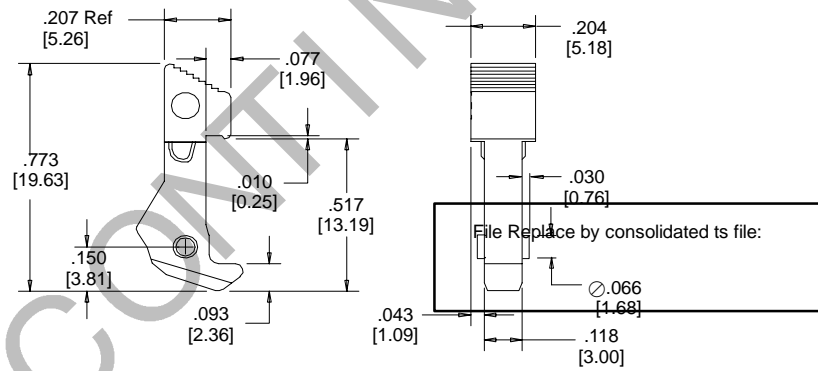
.100" × .100" Latch/Ejector

3400 Series

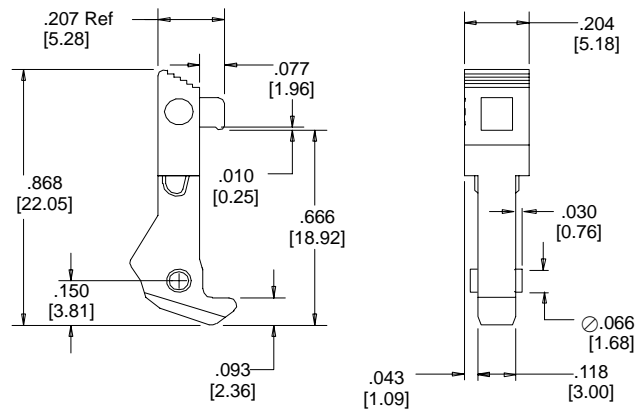
Snap-In Latches

Product	Part Number	Material	Color
Short Latch	3505-30	PPA	Gray
	N3505-30	PPA	Beige
Long Latch	3505-31	PPA	Gray
	N3505-31	PPA	Beige

Short Latch



Long Latch



TS-0162-15
Sheet 2 of 2

Important Notice

All statements, technical information, and recommendations related to 3M's products are based on information believed to be reliable, but the accuracy or completeness is not guaranteed. Before using this product, you must evaluate it and determine if it is suitable for your intended application. You assume all risks and liability associated with such use. Any statements related to the product which are not contained in 3M's current publications, or any contrary statements contained on your purchase order shall have no force or effect unless expressly agreed upon, in writing, by an authorized officer of 3M.

Warranty; Limited Remedy; Limited Liability.

This product will be free from defects in material and manufacture for a period of 1 year from the time of purchase. **3M MAKES NO OTHER WARRANTIES INCLUDING, BUT NOT LIMITED TO, ANY IMPLIED WARRANTY OF MERCHANTABILITY OR FITNESS FOR A PARTICULAR PURPOSE.** If this product is defective within the warranty period stated above, your exclusive remedy shall be, at 3M's option, to replace or repair the 3M product or refund the purchase price of the 3M product. **Except where prohibited by law, 3M will not be liable for any indirect, special, incidental or consequential loss or damage arising from this 3M product, regardless of the legal theory asserted.**

3M

Electronic Solutions Division

6801 River Place Blvd.
Austin, TX 78726-9000
www.3M.com/esd



Minimum 10%
Post-consumer Fiber

Printed in USA.

© 3M 2004

X-ON Electronics

Largest Supplier of Electrical and Electronic Components

Click to view similar products for [Accessories for Robotics and RC category](#):

Click to view products by [3M manufacturer](#):

Other Similar products are found below :

[56T705](#) [015-9516-002](#) [01.001.6453.0](#) [641763-8](#) [CW106-01X](#) [CW30101A](#) [CW31701A](#) [D2041839](#) [70.352.0628.0](#) [73.353.4028.1](#) [FB22001A](#)
[FB30601A](#) [9009030000](#) [9501](#) [121587-0026](#) [1218510-1](#) [1218629-4](#) [1218630-4](#) [1261000A00M001](#) [128-26-5](#) [RFI77-14](#) [1367251-2](#) [14](#) [1-](#)
[449604-1](#) [1460g4](#) [1470g4](#) [DV0PM20034](#) [MS27488-16-1](#) [MS3057-12A W/B](#) [MS3057-8A-624](#) [MS600-2-XP-1A](#) [MS-602-GEE-14-07C](#)
[MS603-12-01A](#) [MS90376-14R](#) [MS90376-16RB](#) [MTB1-11PH3](#) [1676610000](#) [1A9224 REV A](#) [210-115](#) [CA20L22](#) [2227383-1](#) [225-0090-000](#)
[225-0098-000](#) [KA-89-82](#) [CB20201X](#) [KC-89-104](#) [CB30601A](#) [CB31201A](#) [236-600](#) [CBC120210-752](#)