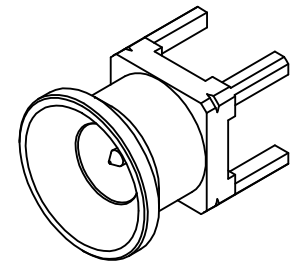
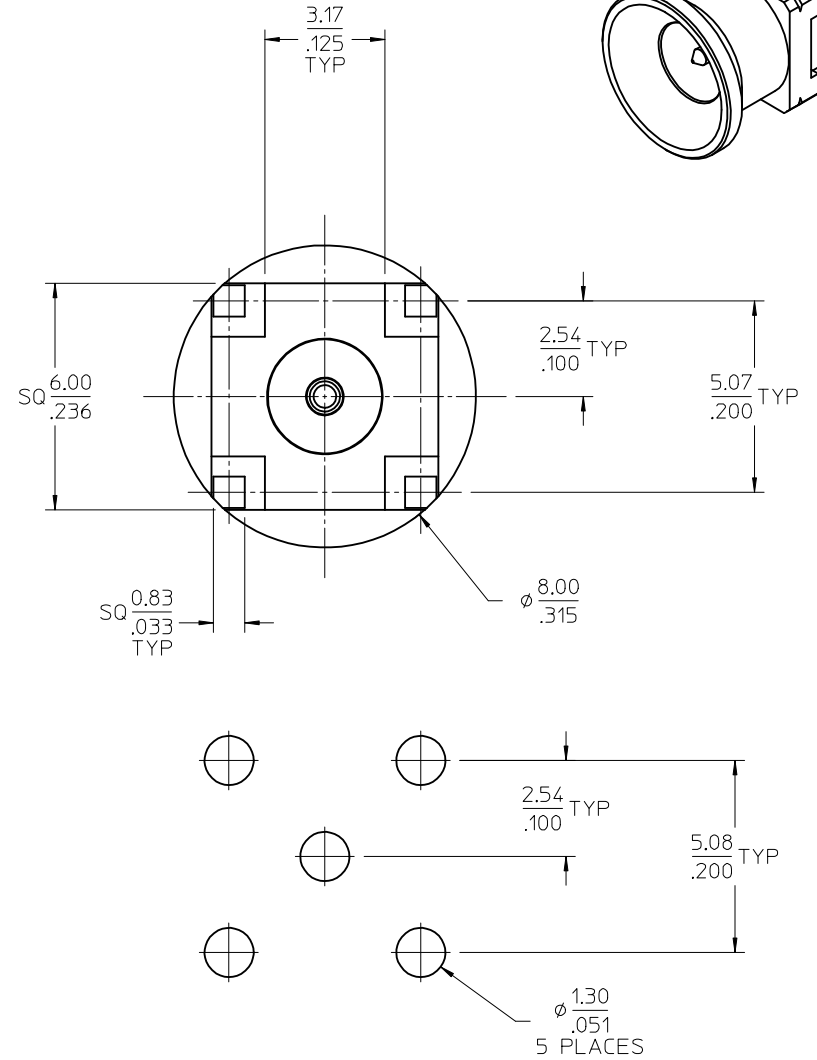
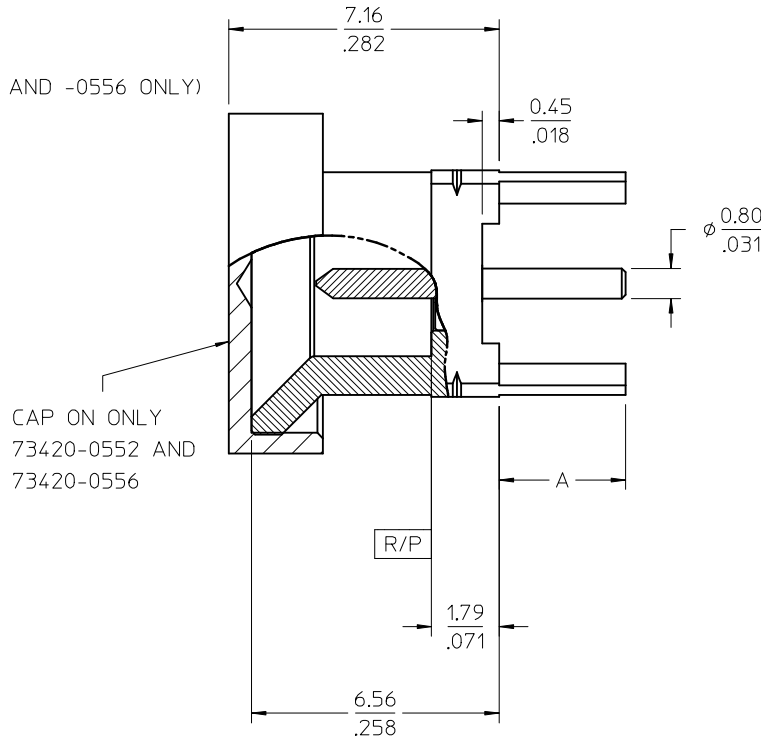


MATERIALS AND FINISHES

BODY, CONTACT: BRASS  
 PLATED GOLD OVER  
 HIGH-PHOS NICKEL OVER  
 COPPER

INSULATOR: TEFLON

CAP: TEFLON (ON -0552 AND -0556 ONLY)



PCB LAYOUT

73420-0557	T & R W/ KAPTON	1.91 / .075
73420-0556	TAPE & REEL	1.91 / .075
73420-0555	TRAY	1.91 / .075
73420-0554	SINGLE PC	1.91 / .075
73420-0553	T & R W/ KAPTON	3.35 / .132
73420-0552	TAPE & REEL	3.35 / .132
73420-0551	TRAY	3.35 / .132
73420-0550	SINGLE PC	3.35 / .132
PART NO.	PACKAGING	MM / IN
		DIM A

PS-89675-3760	ELEC/MECH PERFORMANCE
SPECIFICATION	DESCRIPTION

CHG: DIM A WAS 3.35; ADD -0554, -0555, -0556 AND -0557 EC NO: URF2012-0433 DRW:NBOMALLEY 2012/01/23 CHKD:AZR 2012/1/24 APPR:JWIENER 2012/10/25	QUALITY SYMBOLS ▽=0 ▽=0
	DESCRIPTION

GENERAL TOLERANCES (UNLESS SPECIFIED) 4 PLACES ± --- ± --- 3 PLACES ± --- ± --- 2 PLACES ± --- ± --- 1 PLACE ± --- ± --- ANGULAR ± 2°	DIMENSION STYLE MM/IN DRAWN BY: AROBERTSON CHECKED BY: SSS APPROVED BY: JWIENER DATE: 2011/06/15 DATE: 2011/06/21 DATE: 2011/06/21
DRAFT WHERE APPLICABLE MUST REMAIN WITHIN DIMENSIONS	TITLE SMP-MAX PLUG SLIDE ON PCB TH VERT SMPMAX-P/PCB, EWR-4628

DIMENSION STYLE MM/IN	SCALE METRIC	DESIGN UNITS METRIC	THIRD ANGLE PROJECTION
DRAWN BY: AROBERTSON CHECKED BY: SSS APPROVED BY: JWIENER DATE: 2011/06/15 DATE: 2011/06/21 DATE: 2011/06/21	TITLE SMP-MAX PLUG SLIDE ON PCB TH VERT SMPMAX-P/PCB, EWR-4628	MATERIAL NO. SEE TABLE	DOCUMENT NO. SD-73420-055
SIZE C	THIS DRAWING CONTAINS INFORMATION THAT IS PROPRIETARY TO MOLEX INCORPORATED AND SHOULD NOT BE USED WITHOUT WRITTEN PERMISSION	SHEET NO. 1 OF 1	MOLEX INCORPORATED

## X-ON Electronics

Largest Supplier of Electrical and Electronic Components

*Click to view similar products for [RF Connectors](#) / [Coaxial Connectors](#) category:*

*Click to view products by [Molex](#) manufacturer:*

Other Similar products are found below :

[R125315120](#) [8915-1511-000](#) [89674-0827](#) [5916-1103-603](#) [0106-001-000](#) [6-0001-3](#) [6001-7071-019](#) [6002-7051-003](#) [6002-7551-202](#) [6059674-1](#) [619550-1](#) [630059-000](#) [M39012/25-0021](#) [M39012/79-3008](#) [M39030/3-01N](#) [M39030/3-03N](#) [M3933/25-29N](#) [M3933/25-36N](#) [6500-7071-046](#) [6501-1071-002](#) [M83723/72W24576](#) [M83723/72W2457N](#) [6769](#) [CX050L2AQ](#) [7002-1541-010](#) [7003-1572-002](#) [7004-1512-000](#) [7009-1511-004](#) [7010-1511-000](#) [7029-1511-060](#) [7101-1541-010](#) [7101-1571-002](#) [7105-1521-002](#) [7145-1521-002](#) [7209-1511-011](#) [7210-1511-012](#) [7210-1511-015](#) [7210-1511-019](#) [7210-1511-040](#) [7225-1512-050](#) [7242-1511-000](#) [73137-5015](#) [73216-2241](#) [73251-0111](#) [73251-0672](#) [73276-1501](#) [73366-0013](#) [73404-2300](#) [73413-6080](#) [734151610](#)