

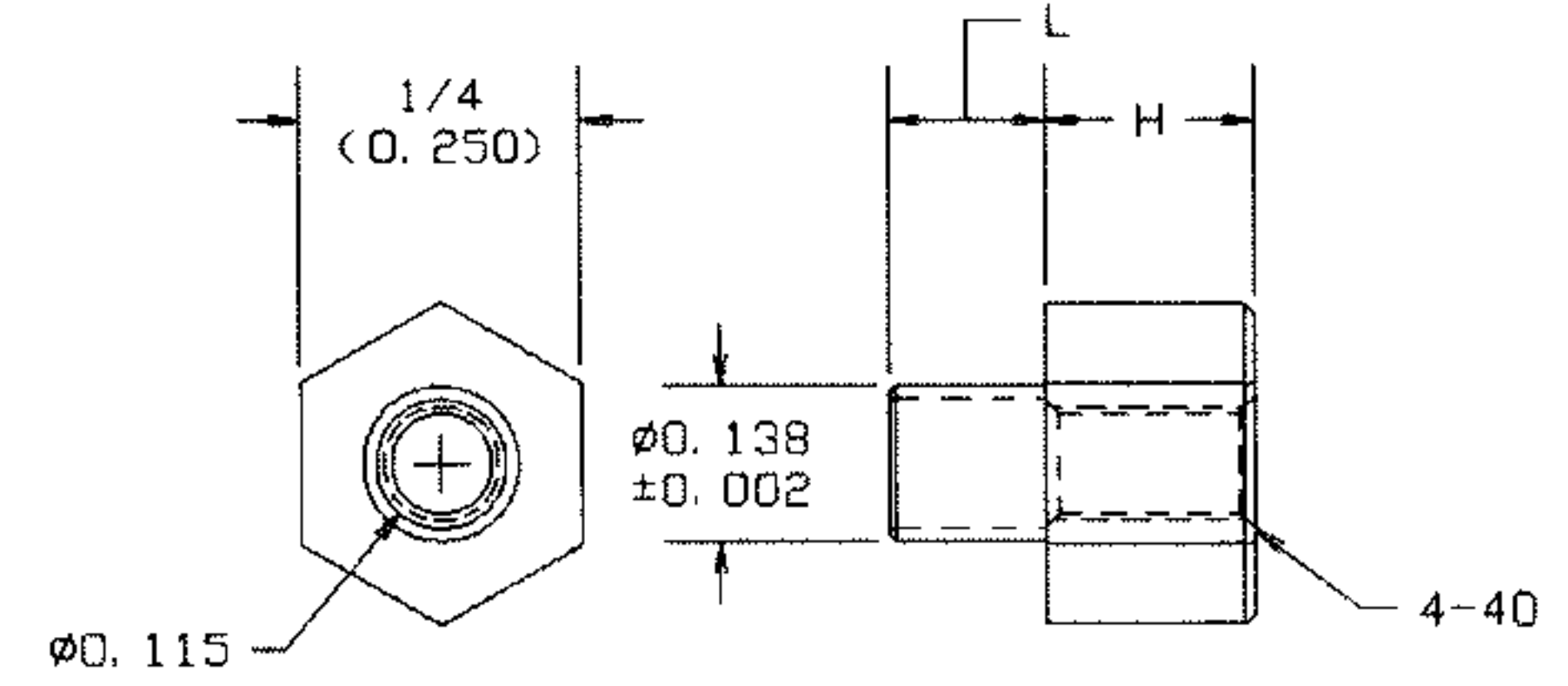
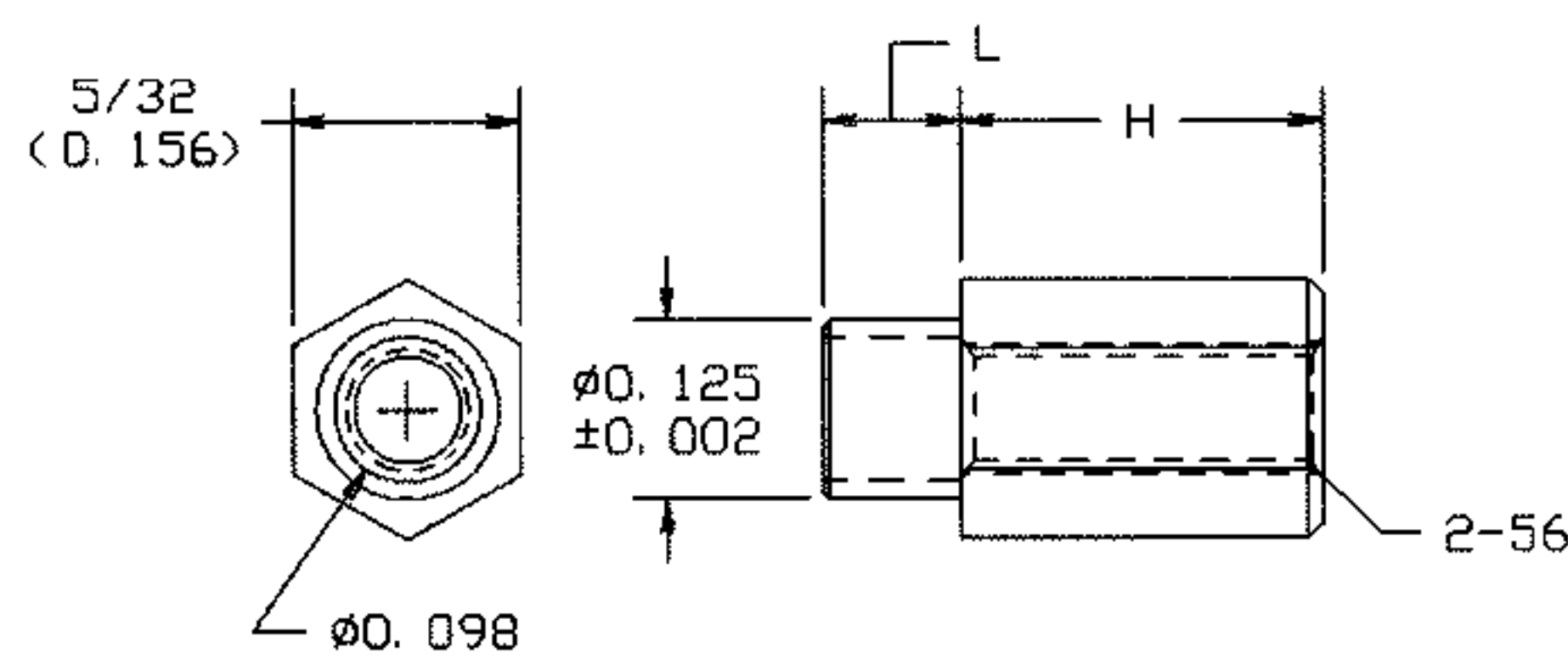
STANDOFFS, THREADED, HEX

525-9XXX-XXX-02 BRASS PER ASTM B16
625A-9XXX-XXX-XX ALUMINUM PER ASTM B211

530-9XXX-02 BRASS PER ASTM B16
630A-9XXX-XX ALUMINUM PER ASTM B211

BASIC PART NO. FINISH*

BASIC PART NO. FINISH*



BOARD THICKNESS	H	L	BRASS	ALUMINUM
1/16	.125	.094	525-9209-094	625A-9209-094
1/16	.188	.094	525-9223-094	625A-9223-094
1/16	.250	.094	525-9230-094	625A-9230-094
1/16	.375	.094	525-9244-094	625A-9244-094
1/16	.500	.094	525-9258-094	625A-9258-094
1/16	.625	.094	525-9272-094	625A-9272-094
1/16	.750	.094	525-9286-094	625A-9286-094
1/16	1.000	.094	525-9314-094	625A-9314-094
3/32	.125	.125	525-9210-125	625A-9210-125
3/32	.188	.125	525-9224-125	625A-9224-125
3/32	.250	.125	525-9231-125	625A-9231-125
3/32	.375	.125	525-9245-125	625A-9245-125
3/32	.500	.125	525-9259-125	625A-9259-125
3/32	.625	.125	525-9273-125	625A-9273-125
3/32	.750	.125	525-9287-125	625A-9287-125
3/32	1.000	.125	525-9315-125	625A-9315-125
1/8	.125	.156	525-9211-156	625A-9211-156
1/8	.188	.156	525-9225-156	625A-9225-156
1/8	.250	.156	525-9232-156	625A-9232-156
1/8	.375	.156	525-9246-156	625A-9246-156
1/8	.500	.156	525-9260-156	625A-9260-156
1/8	.625	.156	525-9274-156	625A-9274-156
1/8	.750	.156	525-9288-156	625A-9288-156
1/8	1.000	.156	525-9316-156	625A-9316-156

BOARD THICKNESS	H	L	BRASS	ALUMINUM
1/32	.125	.075	530-9408	630A-9408
1/32	.188	.075	530-9422	630A-9422
1/32	.250	.075	530-9429	630A-9429
1/32	.375	.075	530-9443	630A-9443
1/32	.500	.075	530-9457	630A-9457
1/32	.625	.075	530-9471	630A-9471
1/32	.750	.075	530-9485	630A-9485
1/32	1.000	.075	530-9513	630A-9513
1/16	.125	.105	530-9409	630A-9409
1/16	.188	.105	530-9423	630A-9423
1/16	.250	.105	530-9430	630A-9430
1/16	.375	.105	530-9444	630A-9444
1/16	.500	.105	530-9458	630A-9458
1/16	.625	.105	530-9472	630A-9472
1/16	.750	.105	530-9486	630A-9486
1/16	1.000	.105	530-9514	630A-9514
3/32	.125	.135	530-9410	630A-9410
3/32	.188	.135	530-9424	630A-9424
3/32	.250	.135	530-9431	630A-9431
3/32	.375	.135	530-9445	630A-9445
3/32	.500	.135	530-9459	630A-9459
3/32	.625	.135	530-9473	630A-9473
3/32	.750	.135	530-9487	630A-9487
3/32	1.000	.135	530-9515	630A-9515
1/8	.125	.165	530-9411	630A-9411
1/8	.188	.165	530-9425	630A-9425
1/8	.250	.165	530-9432	630A-9432
1/8	.375	.165	530-9446	630A-9446
1/8	.500	.165	530-9460	630A-9460
1/8	.625	.165	530-9474	630A-9474
1/8	.750	.165	530-9488	630A-9488
1/8	1.000	.165	530-9516	630A-9516

- FOR BRASS PARTS, ADD -02 SUFFIX TO PART NUMBER FOR STANDARD NICKEL FINISH
- FOR ALUMINUM PARTS, ADD -17 SUFFIX TO PART NUMBER FOR STANDARD NON-CHROMATE CLEAR PROTECTIVE COATING OR -16 FOR YELLOW IRRIDITE FINISH.

- FOR BRASS PARTS, ADD -02 SUFFIX TO PART NUMBER FOR STANDARD NICKEL FINISH
- FOR ALUMINUM PARTS, ADD -17 SUFFIX TO PART NUMBER FOR STANDARD NON-CHROMATE CLEAR PROTECTIVE COATING OR -16 FOR YELLOW IRRIDITE FINISH.

SWAGING TOOLS

H	ANVIL	PUNCH
.125	TA180-125	TP125-98
.188		
.250	TA180-250	TP125-98
.375		
.500	TA180-500	TP125-98
.625		
.750	TA180-750	TP125-98
1.000		

SWAGING TOOLS

H	ANVIL	PUNCH
.125	TA289-125	TP136-110
.188		
.250	TA289-250	TP136-110
.375		
.500	TA289-500	TP136-110
.625		
.750	TA289-750	TP136-110
1.000		

FOR ADDITIONAL SIZES AND MATERIALS, CONTACT FACTORY



X-ON Electronics

Largest Supplier of Electrical and Electronic Components

Click to view similar products for [Terminals](#) category:

Click to view products by [Concord](#) manufacturer:

Other Similar products are found below :

[HT-13-10](#) [71M-250-32-NB](#) [01-2065-1-0216](#) [00581P0075](#) [M10-10RX](#) [M10BCK](#) [60205-1](#) [604200-1](#) [60598-1-CUT-TAPE](#) [60617-1-C](#) [60873-1](#) [M14-516R/SK](#) [M14-6RSX](#) [M18-10FLX](#) [M18-8FBX](#) [M18-8R/LX](#) [M18BCK](#) [61314-6-C](#) [61-S](#) [61-SN-A](#) [62-NBM-A](#) [63-S](#) [640179-1](#) [640917-2-CUT-TAPE](#) [6501550002](#) [66107-2-C](#) [66107-4-C](#) [696683-1](#) [696834-1](#) [696861-1](#) [696931-1](#) [696999-1](#) [M8-516RK](#) [M86700006](#) [MA250DMFMX-A](#) [701-2007](#) [701-2307](#) [701-7761-03](#) [70F-110-32-PB](#) [718-N-A](#) [71M-187-20-NBL](#) [71M-250-32-NBL](#) [72F-187-20-NBL](#) [72M-250-32-NBL](#) [7310](#) [73F-250-32](#) [73F-250-32-NBL](#) [73F-250-32-NL](#) [F14-10C](#) [F-1M](#)