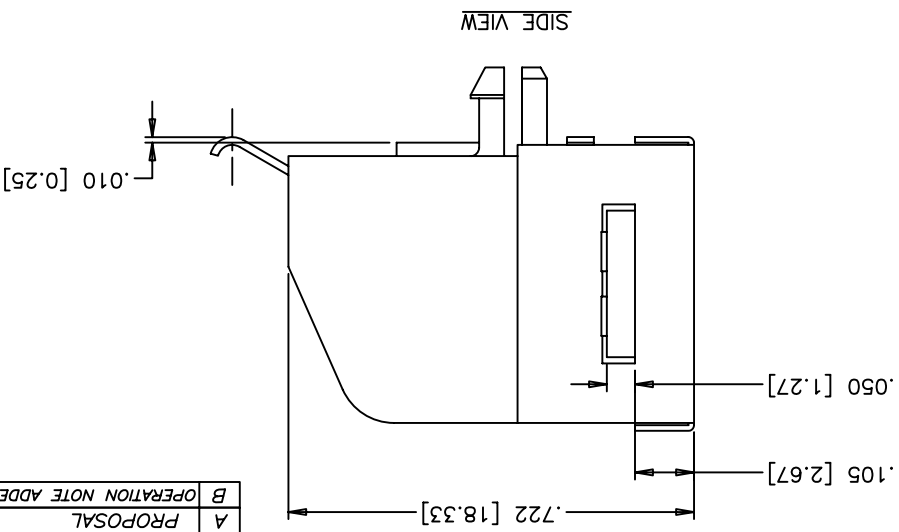
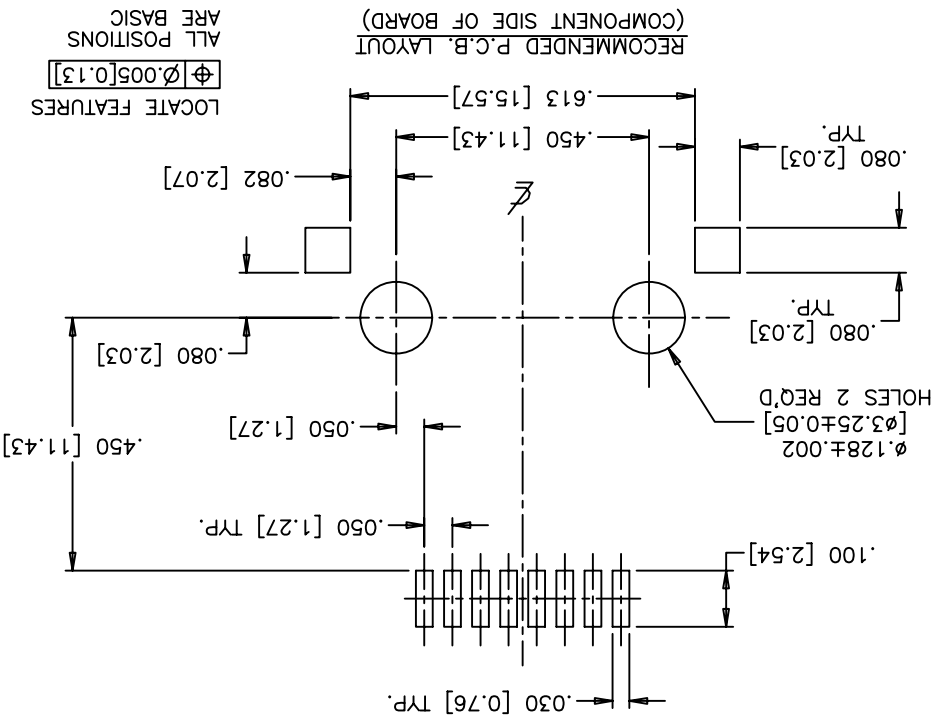


THIS DOCUMENT CONTAINS PROPRIETARY INFORMATION AND SUCH INFORMATION MAY NOT BE DISCLOSED TO OTHERS FOR ANY PURPOSE OR USED FOR MANUFACTURING PURPOSES WITHOUT WRITTEN PERMISSION FROM AMPHENOL CANADA CORP.



MATERIALS:
 HOUSING: HIGH TEMPERATURE THERMOPLASTIC
 FLAMMABILITY RATING UL94V-0
 COLOR: BLACK
 CONTACTS: COPPER ALLOY
 PLATING: PART NUMBER OPTIONS
 50µ" MIN. NICKEL OVERALL
 80µ" MIN. MATTE TIN OVER TAIL
 SHIELD: COPPER ALLOY
 NICKEL PLATED
 RECOMMENDED SOLDERING TEMPERATURE:
 REFLOW SOLDERING AT 260°C MAXIMUM FOR 5 SEC MAXIMUM

AMPHENOL PART NUMBER: RJE07-188-3X20

GOLD PLATING
 1 = 06 µ"
 2 = 15 µ"
 3 = 30 µ"
 4 = 50 µ"

REVISIONS			
REV	ECN, ERN NO.	DATE	REV BY APPRD.
A	PROPOSAL	OCT 9/2006	L.CHAN
B	OPERATION NOTE ADDED	NOV14/2006	JACK WANG L.CHAN

DRAWN	JACK WANG	OCT 9/06
DESIGNED		
CHECKED	CHIGOW XU	OCT 9/06
TITLE		
RJEO7 SERIES ASSEMBLY, SIDE ENTRY, SURFACE MOUNT,		
(WITH FLANGE, WITHOUT KEY)--ROHS COMPLIANT		
DWG	DRAWING NO.	
P-RJE07-188-3X20		

REF.	DIMENSIONS ARE IN	
	INCHES (mm)	
SCALE	03554	
WT. _____ SURF. _____		
SHEET 1 OF 1		

F E D C B A

X-ON Electronics

Largest Supplier of Electrical and Electronic Components

Click to view similar products for [Modular Connectors](#) / [Ethernet Connectors](#) category:

Click to view products by [Amphenol](#) manufacturer:

Other Similar products are found below :

[RJE231881317T](#) [MP1010RX-1000](#) [MP44RX-1000](#) [GAX-3-66](#) [GAX-8-62](#) [93606-0253](#) [GD-A-44](#) [GDCX-PA-66-50](#) [GDCX-PN-64](#) [GDCX-PN-66](#) [GDCX-PN-66-50](#) [GDLX-A-66](#) [GDLX-A-88](#) [GDLX-N-66](#) [GDLX-S-88K](#) [GDTX-S-88-50](#) [GDX-PA-1010](#) [GLX-N-1010M-BLK](#) [GLX-N-44M](#) [GLX-S-88M-BLK](#) [GMX-N-1010](#) [GMX-S-1010](#) [GMX-S-66](#) [GMX-SMT2-N-1010](#) [GMX-SMT2-N-64-50](#) [GMX-SMT2-S6-88](#) [GMX-SMT4-N-88](#) [GPX-2-64](#) [GRT1-BT1-5](#) [GSGX-N-2-88](#) [GSX-NS2-88-3.05](#) [GSX-NS2-88-3.05-50](#) [GSX-NS-88-3.05-30](#) [GSX-NS-88-3.05-50](#) [GSX-NS-88-3.68](#) [1-1775629-2](#) [GWLX-S-88-GR](#) [GWLX-S9-88-YG](#) [1300500326](#) [1300500227](#) [1300530003](#) [1300570002](#) [1324640-4](#) [RJ11FTVC2G](#) [RJ11FTVC2N](#) [RJFTVX2SA1G](#) [132764-001](#) [1400000](#) [1413176](#) [1413235](#)