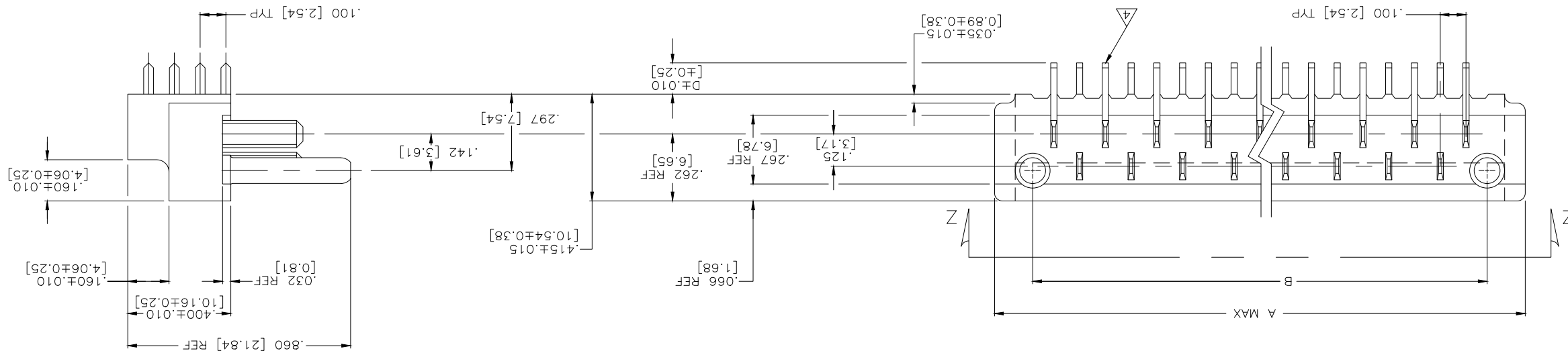
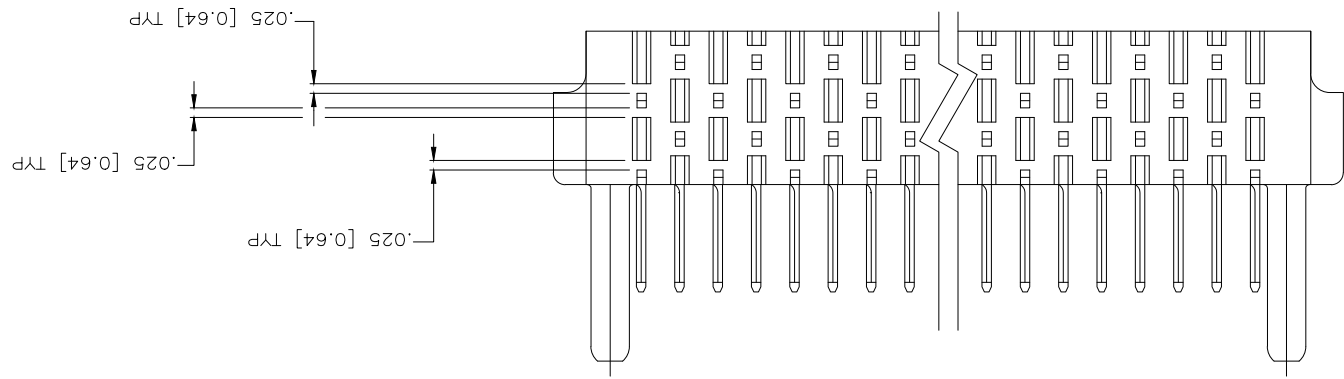
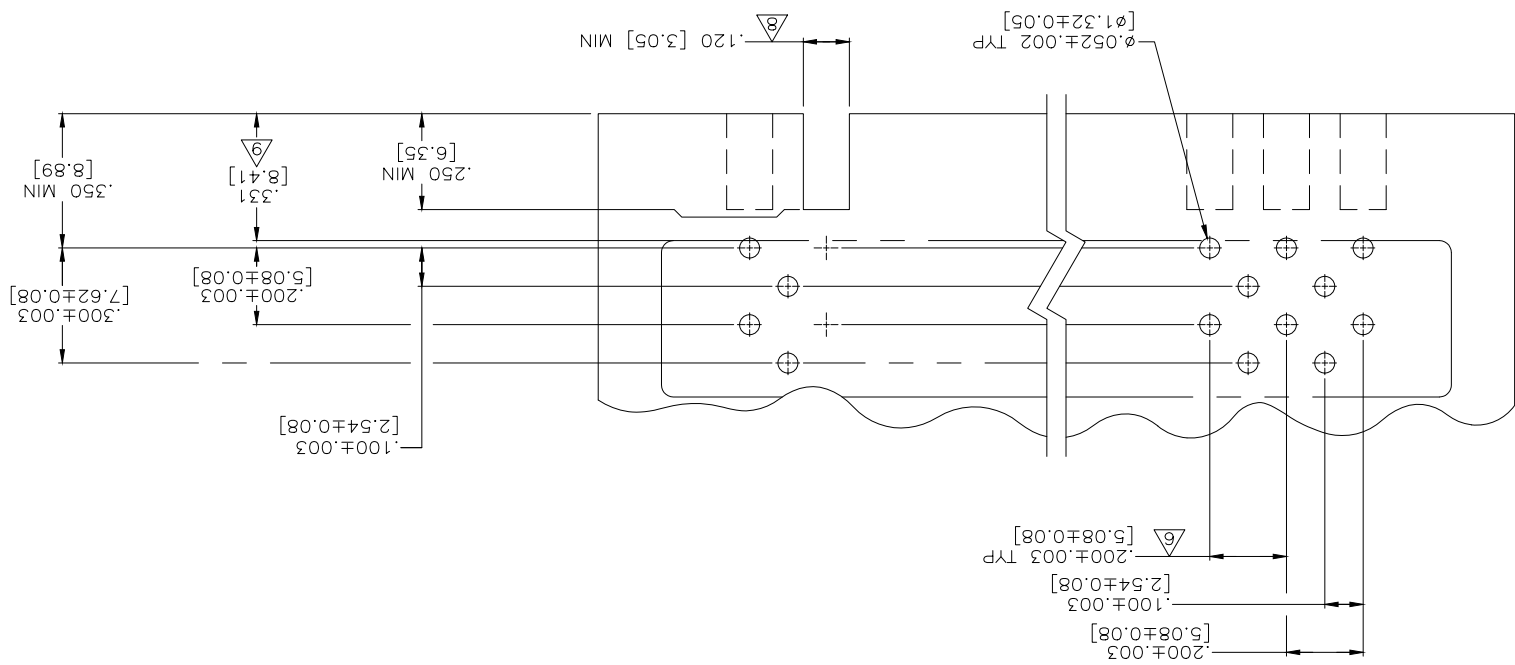
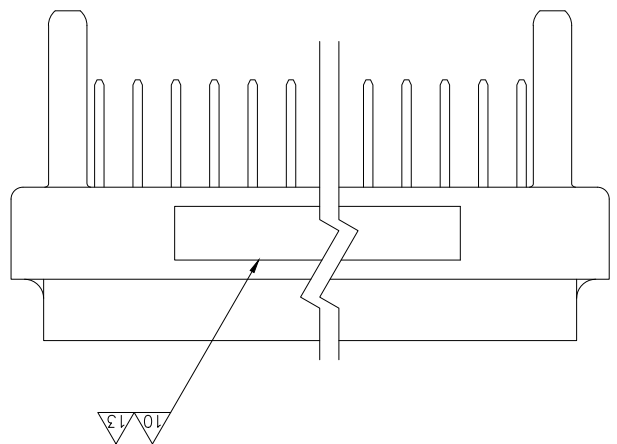


RECOMMENDED P.C. BOARD LAYOUT



VIEW Z-Z



THIS DRAWING IS A CONTROLLED DOCUMENT.		DWG: RAGHAV SATISH, 30JUN2015	
DESIGNED BY: CHARLES THOMAS, 30JUN2015		CHECKED BY: CHARLES THOMAS, 30JUN2015	
PRODUCT SPEC: ASSEMBLY, AMP BLADE TAB HOUSING		NAME: CHARLES THOMAS, 30JUN2015	
CYCLE CODE: 00779		DRAWING NO: 582152	
SIZE: A1		SCALE: 4:1	
RESTRICTED TO: ---		SHEET: 2 OF 3	
REV: AW		DATE: ---	

DF	HO	DATE	DATE
---	---	---	---
---	---	---	---
---	---	---	---

WITH MOUNTING HOLES

WITHOUT MOUNTING HOLES

PART NO.	NO. OF CONT.	A	B	C	D	E	PC. BD. THICKNESS	NOTE	MARKING
3-582152-1	17	2.590	1.764	2.130	1.20	.265	.0625	-	-
3-582152-2	23	2.990	2.364	2.730	1.20	.265	.0625	-	-
3-582152-3	29	3.590	2.964	3.330	1.20	.265	.0625	-	-
3-582152-4	41	4.790	4.164	4.530	1.20	.265	.0625	-	-
3-582152-5	35	4.190	3.564	3.930	1.20	.265	.0625	-	-
3-582152-6	29	3.590	2.964	3.330	1.20	.265	.0625	-	-
3-582152-7	47	5.623	4.764	5.363	1.20	.381	.0625	▽	-
3-582152-8	47	5.623	4.764	5.363	1.52	.381	.0625	▽	-
3-582152-9	41	4.790	4.164	4.530	1.52	.265	.0937	-	-
3-582152-10	35	4.190	3.564	3.930	1.52	.265	.0937	-	-
3-582152-11	29	3.590	2.964	3.330	1.52	.265	.0937	-	-
3-582152-12	23	2.990	2.364	2.730	1.52	.265	.0937	-	-
3-582152-13	29	3.590	2.964	3.330	1.83	.265	.125	-	-
3-582152-14	47	5.623	4.764	5.363	1.83	.381	.125	-	-
3-582152-15	41	4.790	4.164	4.530	1.83	.265	.125	-	-
3-582152-16	35	4.190	3.564	3.930	1.83	.265	.125	-	-
3-582152-17	23	2.990	2.364	2.730	1.83	.265	.125	-	-
3-582152-18	17	2.590	1.764	2.130	1.83	.265	.125	-	-
3-582152-19	17	2.590	1.764	2.130	1.83	.265	.125	-	-
3-582152-20	23	2.990	2.364	2.730	1.83	.265	.125	-	-
3-582152-21	29	3.590	2.964	3.330	1.83	.265	.125	-	-
3-582152-22	47	5.623	4.764	5.363	1.83	.381	.125	-	-
3-582152-23	41	4.790	4.164	4.530	1.83	.265	.125	-	-
3-582152-24	35	4.190	3.564	3.930	1.83	.265	.125	-	-
3-582152-25	29	3.590	2.964	3.330	1.83	.265	.125	-	-
3-582152-26	23	2.990	2.364	2.730	1.83	.265	.125	-	-
3-582152-27	17	2.590	1.764	2.130	1.83	.265	.125	-	-
3-582152-28	17	2.590	1.764	2.130	1.83	.265	.125	-	-
3-582152-29	23	2.990	2.364	2.730	1.83	.265	.125	-	-
3-582152-30	29	3.590	2.964	3.330	1.83	.265	.125	-	-
3-582152-31	47	5.623	4.764	5.363	1.83	.381	.125	-	-
3-582152-32	41	4.790	4.164	4.530	1.83	.265	.125	-	-
3-582152-33	35	4.190	3.564	3.930	1.83	.265	.125	-	-
3-582152-34	29	3.590	2.964	3.330	1.83	.265	.125	-	-
3-582152-35	23	2.990	2.364	2.730	1.83	.265	.125	-	-
3-582152-36	17	2.590	1.764	2.130	1.83	.265	.125	-	-
3-582152-37	17	2.590	1.764	2.130	1.83	.265	.125	-	-
3-582152-38	23	2.990	2.364	2.730	1.83	.265	.125	-	-
3-582152-39	29	3.590	2.964	3.330	1.83	.265	.125	-	-
3-582152-40	47	5.623	4.764	5.363	1.83	.381	.125	-	-
3-582152-41	41	4.790	4.164	4.530	1.83	.265	.125	-	-
3-582152-42	35	4.190	3.564	3.930	1.83	.265	.125	-	-
3-582152-43	29	3.590	2.964	3.330	1.83	.265	.125	-	-
3-582152-44	23	2.990	2.364	2.730	1.83	.265	.125	-	-
3-582152-45	17	2.590	1.764	2.130	1.83	.265	.125	-	-
3-582152-46	17	2.590	1.764	2.130	1.83	.265	.125	-	-
3-582152-47	23	2.990	2.364	2.730	1.83	.265	.125	-	-
3-582152-48	29	3.590	2.964	3.330	1.83	.265	.125	-	-
3-582152-49	47	5.623	4.764	5.363	1.83	.381	.125	-	-
3-582152-50	41	4.790	4.164	4.530	1.83	.265	.125	-	-
3-582152-51	35	4.190	3.564	3.930	1.83	.265	.125	-	-
3-582152-52	29	3.590	2.964	3.330	1.83	.265	.125	-	-
3-582152-53	23	2.990	2.364	2.730	1.83	.265	.125	-	-
3-582152-54	17	2.590	1.764	2.130	1.83	.265	.125	-	-
3-582152-55	17	2.590	1.764	2.130	1.83	.265	.125	-	-
3-582152-56	23	2.990	2.364	2.730	1.83	.265	.125	-	-
3-582152-57	29	3.590	2.964	3.330	1.83	.265	.125	-	-
3-582152-58	47	5.623	4.764	5.363	1.83	.381	.125	-	-
3-582152-59	41	4.790	4.164	4.530	1.83	.265	.125	-	-
3-582152-60	35	4.190	3.564	3.930	1.83	.265	.125	-	-
3-582152-61	29	3.590	2.964	3.330	1.83	.265	.125	-	-
3-582152-62	23	2.990	2.364	2.730	1.83	.265	.125	-	-
3-582152-63	17	2.590	1.764	2.130	1.83	.265	.125	-	-
3-582152-64	17	2.590	1.764	2.130	1.83	.265	.125	-	-
3-582152-65	23	2.990	2.364	2.730	1.83	.265	.125	-	-
3-582152-66	29	3.590	2.964	3.330	1.83	.265	.125	-	-
3-582152-67	47	5.623	4.764	5.363	1.83	.381	.125	-	-
3-582152-68	41	4.790	4.164	4.530	1.83	.265	.125	-	-
3-582152-69	35	4.190	3.564	3.930	1.83	.265	.125	-	-
3-582152-70	29	3.590	2.964	3.330	1.83	.265	.125	-	-
3-582152-71	23	2.990	2.364	2.730	1.83	.265	.125	-	-
3-582152-72	17	2.590	1.764	2.130	1.83	.265	.125	-	-
3-582152-73	17	2.590	1.764	2.130	1.83	.265	.125	-	-
3-582152-74	23	2.990	2.364	2.730	1.83	.265	.125	-	-
3-582152-75	29	3.590	2.964	3.330	1.83	.265	.125	-	-
3-582152-76	47	5.623	4.764	5.363	1.83	.381	.125	-	-
3-582152-77	41	4.790	4.164	4.530	1.83	.265	.125	-	-
3-582152-78	35	4.190	3.564	3.930	1.83	.265	.125	-	-
3-582152-79	29	3.590	2.964	3.330	1.83	.265	.125	-	-
3-582152-80	23	2.990	2.364	2.730	1.83	.265	.125	-	-
3-582152-81	17	2.590	1.764	2.130	1.83	.265	.125	-	-
3-582152-82	17	2.590	1.764	2.130	1.83	.265	.125	-	-
3-582152-83	23	2.990	2.364	2.730	1.83	.265	.125	-	-
3-582152-84	29	3.590	2.964	3.330	1.83	.265	.125	-	-
3-582152-85	47	5.623	4.764	5.363	1.83	.381	.125	-	-
3-582152-86	41	4.790	4.164	4.530	1.83	.265	.125	-	-
3-582152-87	35	4.190	3.564	3.930	1.83	.265	.125	-	-
3-582152-88	29	3.590	2.964	3.330	1.83	.265	.125	-	-
3-582152-89	23	2.990	2.364	2.730	1.83	.265	.125	-	-
3-582152-90	17	2.590	1.764	2.130	1.83	.265	.125	-	-
3-582152-91	17	2.590	1.764	2.130	1.83	.265	.125	-	-
3-582152-92	23	2.990	2.364	2.730	1.83	.265	.125	-	-
3-582152-93	29	3.590	2.964	3.330	1.83	.265	.125	-	-
3-582152-94	47	5.623	4.764	5.363	1.83	.381	.125	-	-
3-582152-95	41	4.790	4.164	4.530	1.83	.265	.125	-	-
3-582152-96	35	4.190	3.564	3.930	1.83	.265	.125	-	-
3-582152-97	29	3.590	2.964	3.330	1.83	.265	.125	-	-
3-582152-98	23	2.990	2.364	2.730	1.83	.265	.125	-	-
3-582152-99	17	2.590	1.764	2.130	1.83	.265	.125	-	-
3-582152-100	17	2.590	1.764	2.130	1.83	.265	.125	-	-

PART NO.	NO. OF CONT.	A	B	C	D	E	PC. BD. THICKNESS	NOTE	MARKING
3-582152-6	17	2.070	1.764	1.20	.0625	-	-	-	-
3-582152-7	23	2.670	2.364	1.52	.0625	-	-	-	-
3-582152-8	29	3.270	2.964	1.83	.0625	-	-	-	-
3-582152-9	23	2.670	2.364	1.52	.0625	-	-	-	-
3-582152-10	29	3.270	2.964	1.83	.0625	-	-	-	-
3-582152-11	17	2.070	1.764	1.52	.0625	-	-	-	-
3-582152-12	17	2.070	1.764	1.52	.0625	-	-	-	-
3-582152-13	23	2.670	2.364	1.83	.0625	-	-	-	-
3-582152-14	29	3.270	2.964	1.83	.0625	-	-	-	-
3-582152-15	41	4.470	4.164	1.83	.0625	-	-	-	-
3-582152-16	35	3.870	3.564	1.83	.0625	-	-	-	-
3-582152-17	29	3.270	2.964	1.83	.0625	-	-	-	-
3-582152-18	23	2.670	2.364	1.83	.0625	-	-	-	-
3-582152-19	17	2.070	1.764	1.83	.0625	-	-	-	-
3-582152-20	17	2.070	1.764	1.83	.0625	-	-	-	-
3-582152-21	23	2.670	2.364	1.83	.0625	-	-	-	-
3-582152-22	29	3.270	2.964	1.83	.0625	-	-	-	-
3-582152-23	41	4.470	4.164	1.83	.0625	-	-	-	-
3-582152-24	35	3.870	3.564	1.83	.0625	-	-	-	-
3-582152-25	29	3.270	2.964	1.83	.0625	-	-	-	-
3-582152-26	23	2.670	2.364	1.83	.0625	-	-	-	-
3-582152-27	17	2.070	1.764	1.83	.0625	-	-	-	-
3-582152-28	17	2.070	1.764	1.83	.0625	-	-	-	-
3-582152-29	23	2.670	2.364	1.83	.0625	-	-	-	-
3-582152-30	29	3.270	2.964	1.83	.0625	-	-	-	-
3-582152-31	41	4.470	4.164	1.83	.0625	-	-	-	-
3-582152-32	35	3.870	3.564	1.83	.0625	-	-	-	-
3-582152-33	29	3.270	2.964	1.83	.0625	-	-	-	-
3-582152-34	23	2.670	2.364	1.83	.0625	-	-	-	-
3-582152-35	17	2.070	1.764	1.83					

X-ON Electronics

Largest Supplier of Electrical and Electronic Components

Click to view similar products for [Standard Card Edge Connectors](#) category:

Click to view products by [TE Connectivity](#) manufacturer:

Other Similar products are found below :

[6565204-6](#) [PKC-156](#) [1437274-4](#) [147889-1](#) [1489165-4](#) [EBT156-12B1X](#) [EBT15622B2X](#) [EBT156-22R2W](#) [1-582587-1](#) [1-582589-1](#) [2-6437275-9](#) [284-0102-12100](#) [306022901000000](#) [307-012-502-202](#) [307-024-526-201](#) [307-056-520-300](#) [307-080-526-208](#) [1926088-2](#) [245-062-520-350](#) [287-0032-12101](#) [306-010-500-112](#) [306-028-525-102](#) [306-240-318](#) [307-036-502-202](#) [307-036-521-301](#) [307-072-526-202](#) [345-060-559-303](#) [368-004-520-201](#) [392-008-559-201](#) [534671-1](#) [5-530501-5](#) [341-240-317](#) [345-029-520-300](#) [345-030-500-301](#) [345-044-500-300](#) [345-220-058](#) [346-240-318](#) [357-030-526-201](#) [387-012-523-300](#) [395-044-520-300](#) [395-100-524-300](#) [50-12B-10](#) [50-6SN-5](#) [09-07-2032](#) [10035388-106LF](#) [10035388-802LF](#) [10115859-011LF](#) [10122859-009LF](#) [101269333204245CLF](#) [10127905-B04B24BLF](#)