

DESCRIPTION : ABOVE PCB, DECK AND PUSH ROD LOCATION ARE AS VIEW BY USER.

PRODUCT NO.	PUSH ROD LOCATION	STAND-OFF HEIGHT	MATING RECEPTACLE (B)	P.C.B SIDE	RECOMMENDED P.C.B LAYOUT	MOUNT STYLE TO PCB AND PUSH ROD SIDE
(A) 73704-****						
000CA/000CALF	RIGHT	0.0	100 POSITIONS (2x50) 0.8mm RECEPTACLE PART NO. 73277-101000 73277-101000LF	ABOVE	SEE DRAWING NO.: TA-1050	
020CA/020CALF	RIGHT	2.0				
022CA/022CALF	RIGHT	2.2				
040CA/040CALF	RIGHT	4.0				
043CA/043CALF	RIGHT	4.3				
050CA/050CALF	RIGHT	5.0				
100CA/100CALF	LEFT	0.0				
120CA/120CALF	LEFT	2.0				
122CA/122CALF	LEFT	2.2				
140CA/140CALF	LEFT	4.0				
143CA/143CALF	LEFT	4.3				
150CA/150CALF	LEFT	5.0				
522CA/522CALF	RIGHT	2.2	100 POSITIONS (2x50) 0.8mm RECEPTACLE PART NO. 73277-101000 73277-101000LF	BELOW	SEE DRAWING NO.: TA-1050	
540CA/540CALF	RIGHT	4.0				
543CA/540CALF	RIGHT	4.3				
550CA/550CALF	RIGHT	5.0				
622CA/622CALF	LEFT	2.2				
640CA/640CALF	LEFT	4.0				
643CA/643CALF	LEFT	4.3				
650CA/650CALF	LEFT	5.0				

ORDERING INFORMATION

THREADED INSERT ASSEMBLED BY BERG			
NAME	PART NO.		Q'TY
(A) EJECT HEADER ASS'Y	73704-****	73704-****LF	1
(B) MATING RECEPTACLE	73277-101000	73277-101000LF	1

mat'l. code	surface ISO1302 ✓	tolerance ISO1101 ISO406	projection 	product family PCMCIA
ltr ecn nodr	date	tolerances unless otherwise specified	title	
G T20327 WL	11/13/02	angle	MM	CARDBUS EJ HEADER
H N05-0088 WB	03/24/05	line	±0.30	SMT, TYPE 1/2/3
J BX-N-011414 ZK	04/02/12	0±2'	scale 1:1	
dr	WENDY CHEN	05/09/97		dwg no
engr	JOSEPH HSIA	05/09/97		73704
chr	JOSEPH HSIA	05/09/97		sheet 1 of 11
app'd	JENN TSAO	05/09/97		size A4
sheet index	revision	J J J J J J J J J J	type	Product Customer Drawing
	sheet	1 2 3 4 5 6 7 8 9 10 11		

DESCRIPTION : ABOVE PCB, DECK AND PUSH ROD LOCATION ARE AS VIEW BY USER.

PRODUCT NO.	PUSH ROD LOCATION	STAND-OFF HEIGHT	MATING RECEPTACLE ⓑ	P.C.B SIDE	RECOMMENDED P.C.B LAYOUT	MOUNT STYLE TO PCB AND PUSH ROD SIDE
Ⓐ 73704-*****						
000CAS/000CASLF	RIGHT	0.0	100 POSITIONS (2x50) 0.8mm RECEPTACLE PART NO. 73277-101000 73277-101000LF	ABOVE	SEE DRAWING NO.: TA-1050	
020CAS/020CASLF	RIGHT	2.0				
022CAS/022CASLF	RIGHT	2.2				
040CAS/040CASLF	RIGHT	4.0				
043CAS/043CASLF	RIGHT	4.3				
050CAS/050CASLF	RIGHT	5.0				
100CAS/100CASLF	LEFT	0.0				
120CAS/120CASLF	LEFT	2.0				
122CAS/122CASLF	LEFT	2.2				
140CAS/140CASLF	LEFT	4.0				
143CAS/143CASLF	LEFT	4.3				
150CAS/150CASLF	LEFT	5.0				
522CAS/522CASLF	RIGHT	2.2	100 POSITIONS (2x50) 0.8mm RECEPTACLE PART NO. 73277-101000 73277-101000LF	BELOW	SEE DRAWING NO.: TA-1050	
540CAS/540CASLF	RIGHT	4.0				
543CAS/543CASLF	RIGHT	4.3				
550CAS/550CASLF	RIGHT	5.0				
622CAS/622CASLF	LEFT	2.2				
640CAS/640CASLF	LEFT	4.0				
643CAS/643CASLF	LEFT	4.3				
650CAS/650CASLF	LEFT	5.0				

ORDERING INFORMATION

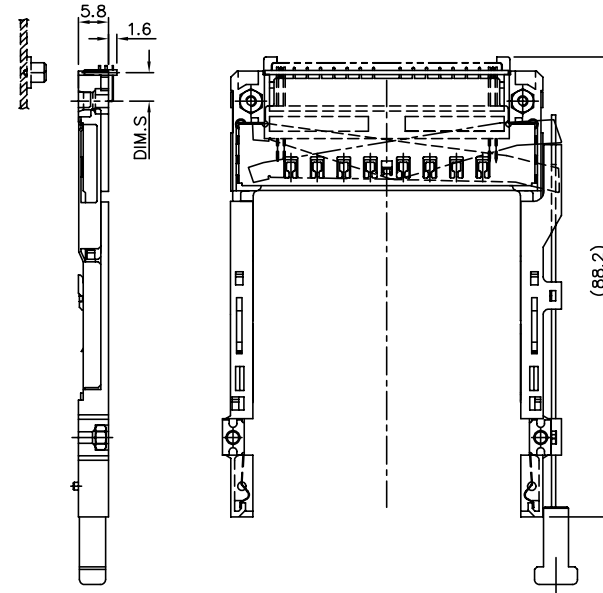
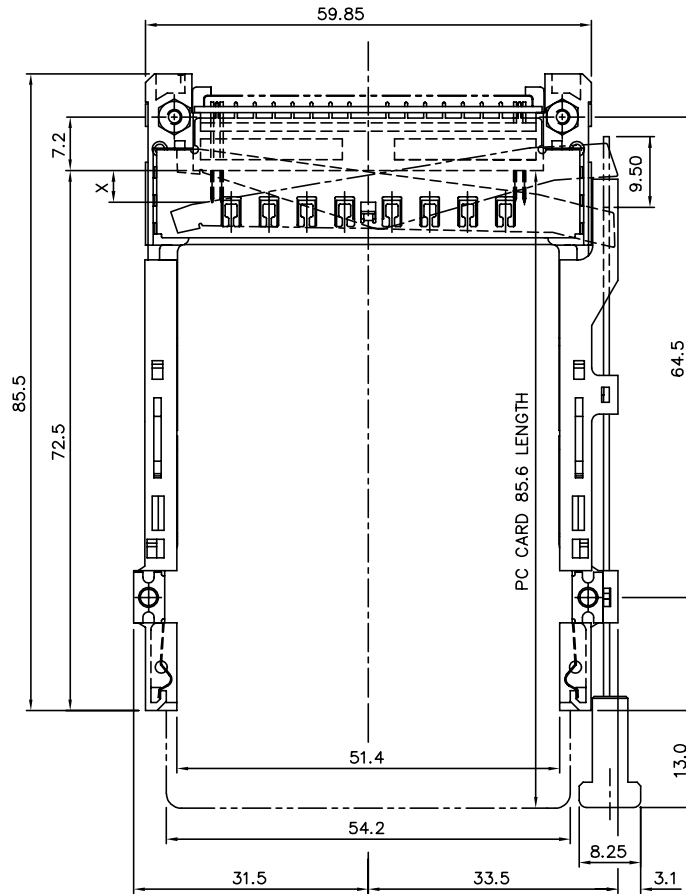
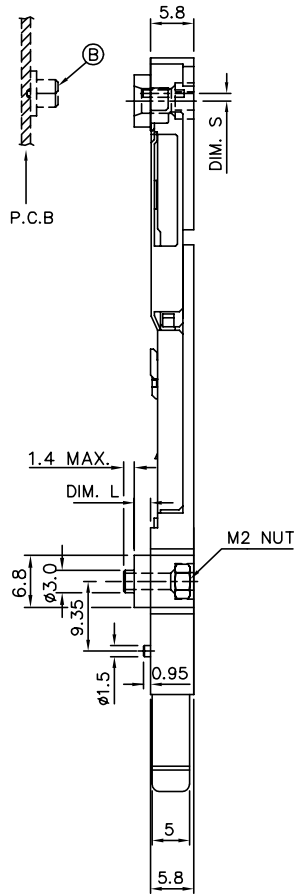
THREADED INSERT ASSEMBLED BY BERG			
NAME	PART NO.		Q'TY
Ⓐ EJECT HEADER ASS'Y	73704-*****	73704-*****LF	1
ⓑ MATING RECEPTACLE	73277-101000	73277-101000LF	1

mat'l. code	surface ISO1302 ✓	tolerance ISO1101 ISO406	projection 	product family PCMCIA
ltr ecn nodr date	tolerances unless otherwise specified		MM	title CARDBUS EJ HEADER SMT, TYPE 1/2/3
J	angle 0°±2'	±0.30	scale 1:1	dwg no 73704
	dr WENDY CHEN 05/09/97	eng JOSEPH HSIA 05/09/97		sheet 2 of 11 size A4
	chr JOSEPH HSIA 05/09/97	app JENN TSAO 05/09/97		type Product Customer Drawing
sheet index	revision sheet			

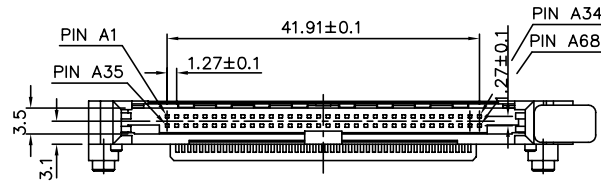
PRODUCT NO.
SEE TABLE A

TABLE A

Ⓐ PRODUCT NO.	STAND-OFF(DIM. L)	DIM. S
73704-050CA/050CALF	5.0 mm	-0.3
-043CA/043CALF	4.3 mm	-0.3
-040CA/040CALF	4.0 mm	-0.3
-022CA/022CALF	2.2 mm	1.0
-020CA/020CALF	2.0 mm	1.0
-000CA/000CALF	NONE	5.5



P/N : 73704-000CA/000CALF
(ABOVE P.C.B/LAYOUT SEE TA-1050)



P/N : 73704-0**CA/0**CALF
(ABOVE P.C.B/LAYOUT SEE TA-1050)

mat'l. code	surface ISO1302	tolerance ISO1101 ISO406	projection MM	product family PCMCIA
ltr ecn nodr date	tolerances unless otherwise specified		MM	title CARDBUS EJ HEADER SMT, TYPE 1/2/3
J	angle 0°±2'	±0.30	scale 1:1	dwg no 73704
	dr WENDY CHEN 05/09/97	eng JOSEPH HSIA 05/09/97		sheet 3 of 11 size A4
	chr JOSEPH HSIA 05/09/97	appd JENN TSAO 05/09/97		type Product Customer Drawing
sheet index	revision sheet			

PRODUCT NO.
SEE TABLE A

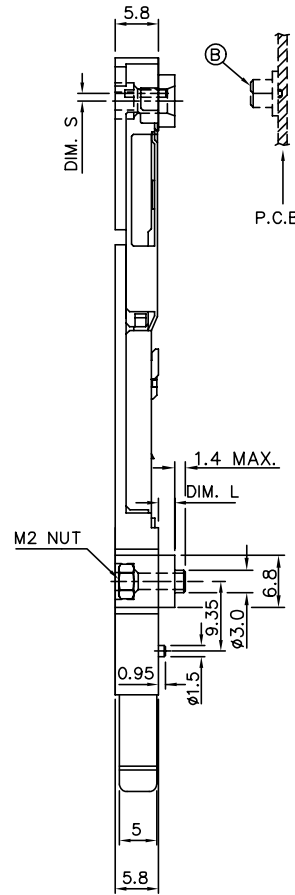
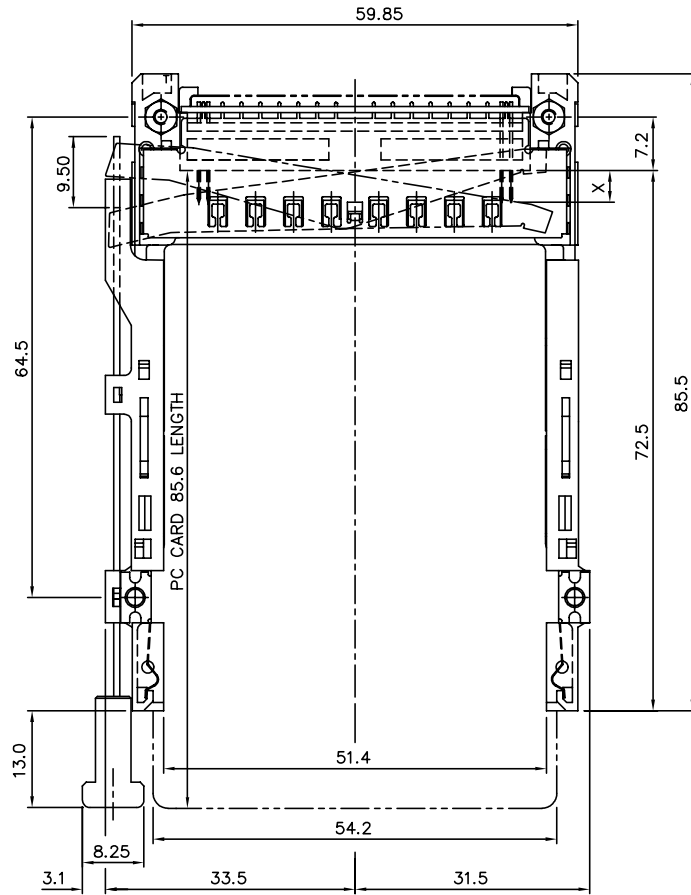
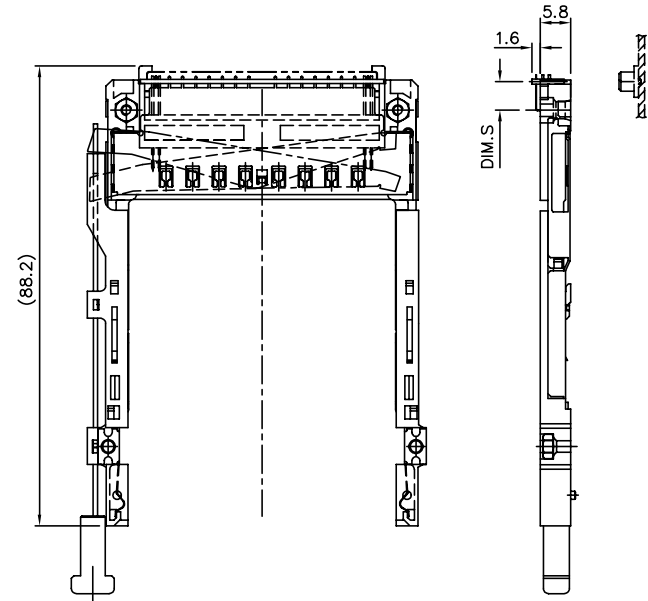
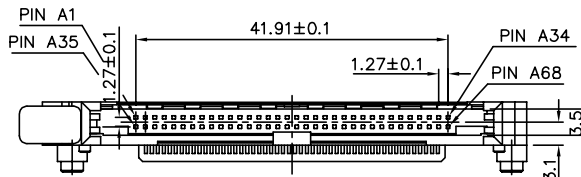


TABLE A

① PRODUCT NO.	STAND-OFF(DIM. L)	DIM. S
73704-150CA/150CALF	5.0 mm	-0.3
-143CA/143CALF	4.3 mm	-0.3
-140CA/140CALF	4.0 mm	-0.3
-122CA/122CALF	2.2 mm	1.0
-120CA/120CALF	2.0 mm	1.0
-100CA/100CALF	NONE	5.5



P/N : 73704-100CA/100CALF
(ABOVE P.C.B/LAYOUT SEE TA-1050)



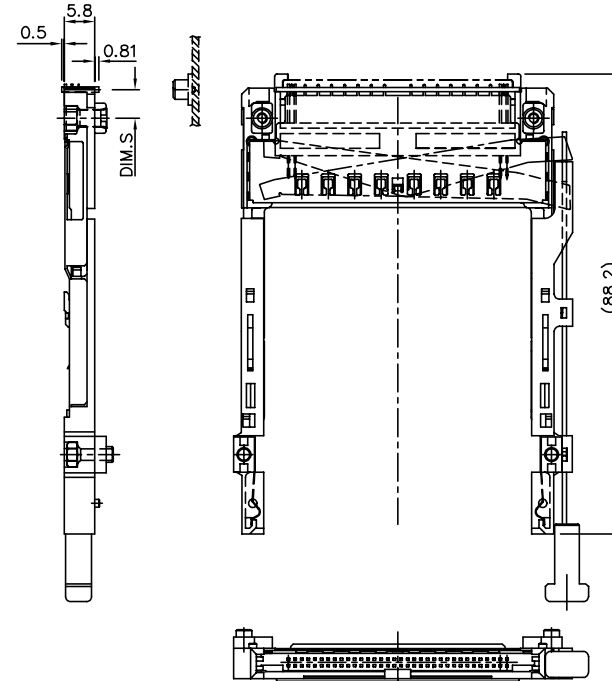
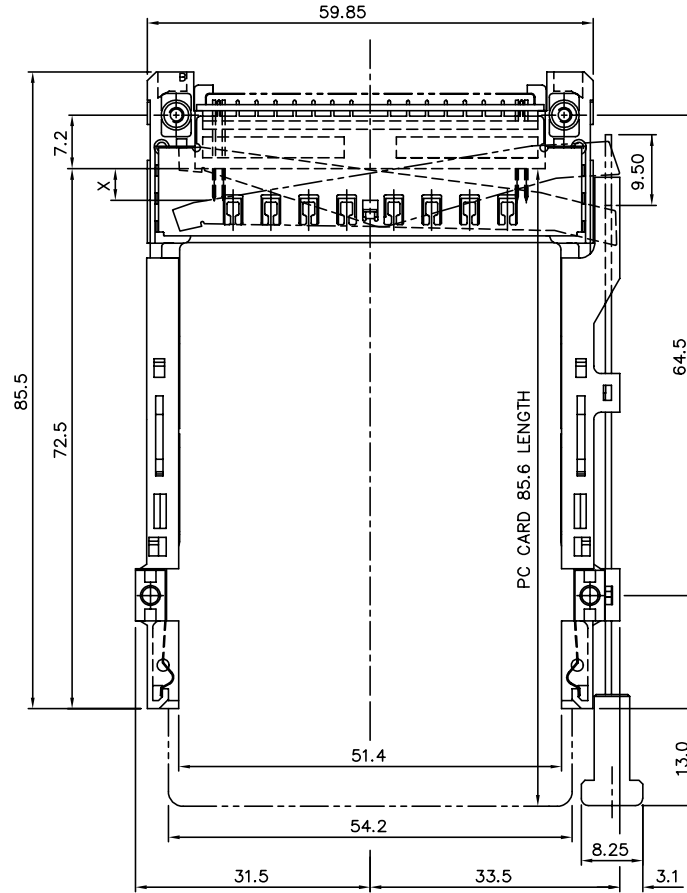
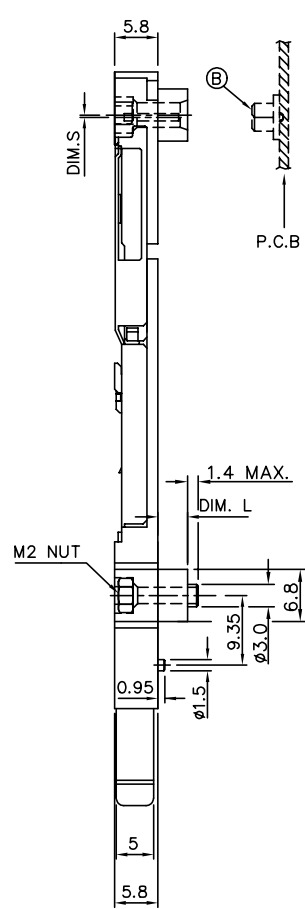
P/N : 73704-1**CA/1**CALF
(ABOVE P.C.B/LAYOUT SEE TA-1050)

mat'l. code	surface ISO1302 ✓	tolerance ISO1101 ISO406	projection ①-②	product family PCMCIA
ltr ecn nodr date	tolerances unless otherwise specified		MM	CARDBUS EJ HEADER SMT, TYPE 1/2/3
J	angle 0°±2'	±0.30	scale 1:1	dwg no 73704
	dr WENDY CHEN 05/09/97	engr JOSEPH HSIA 05/09/97		sheet 4 of 11 size A4
	chr JOSEPH HSIA 05/09/97	appd JENN TSAO 05/09/97		type Product Customer Drawing
sheet index	revision sheet			

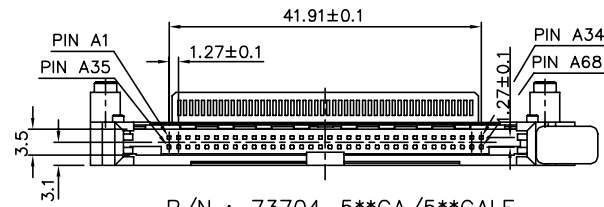
PRODUCT NO.
SEE TABLE A

TABLE A

Ⓐ PRODUCT NO.	STAND-OFF(DIM. L)	DIM. S
73704-550CA/550CALF	5.0 mm	-0.3
-543CA/543CALF	4.3 mm	-0.3
-540CA/540CALF	4.0 mm	-0.3
-522CA/522CALF	2.2 mm	5.5



P/N : 73704-522CA/522CALF
(ABOVE P.C.B./LAYOUT SEE TA-1050)



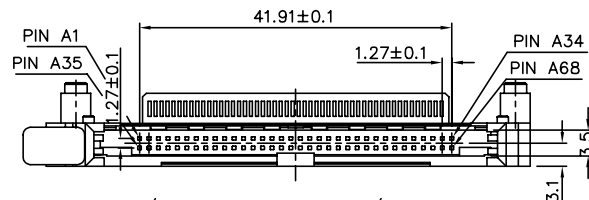
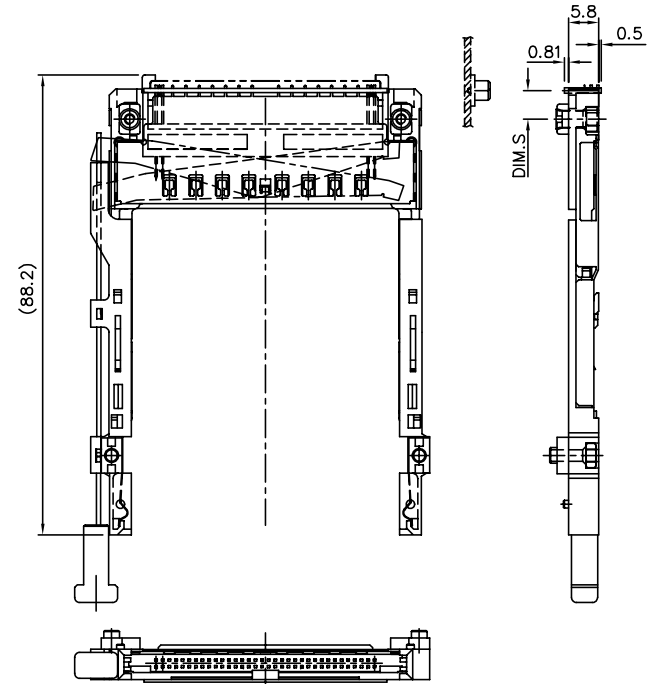
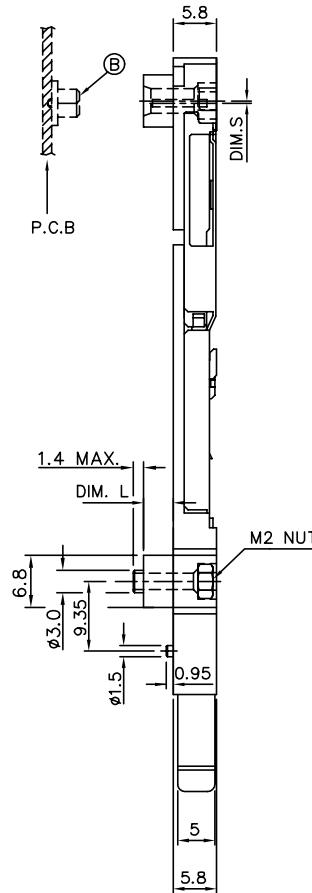
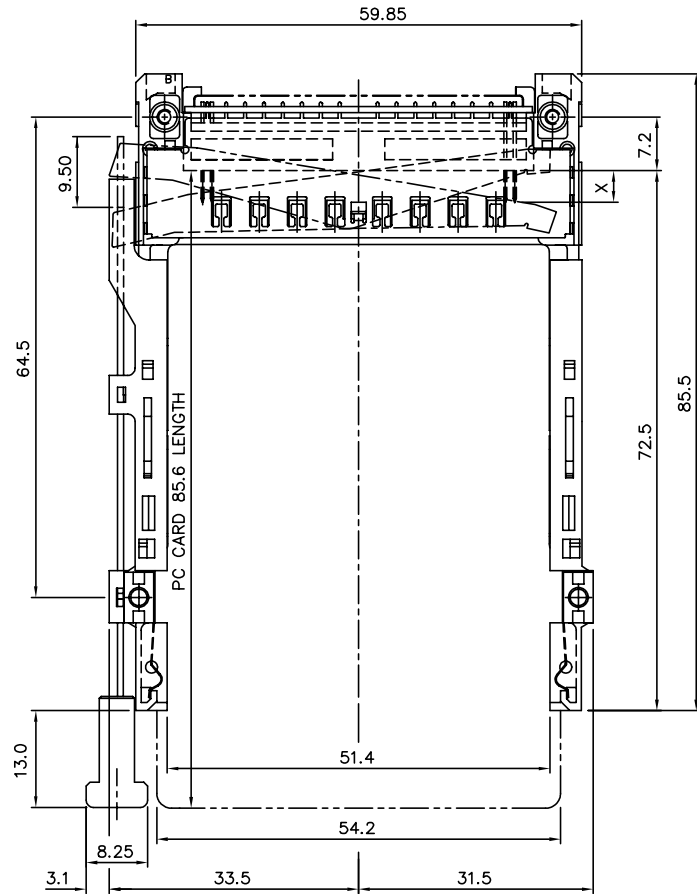
P/N : 73704-5**CA/5**CALF
(ABOVE P.C.B./LAYOUT SEE TA-1050)

mat'l. code	surface ISO1302	tolerance ISO1101 ISO406	projection MM	product family PCMCIA
ltr ecn nodr date	tolerances unless otherwise specified		scale 1:1	title CARDBUS EJ HEADER SMT, TYPE 1/2/3
J	angle 0°±2'	±0.30	MM	dwg no 73704
	dr WENDY CHEN	05/09/97		sheet 5 of 11
	engr JOSEPH HSIA	05/09/97		size A4
	chr JOSEPH HSIA	05/09/97		type Product Customer Drawing
	app'd JENN TSAO	05/09/97		
sheet index	revision sheet			

PRODUCT NO.
SEE TABLE A

TABLE A

① PRODUCT NO.	STAND-OFF(DIM. L)	DIM. S
73704-650CA/650CALF	5.0 mm	-0.3
-643CA/643CALF	4.3 mm	-0.3
-640CA/640CALF	4.0 mm	-0.3
-622CA/622CALF	2.2 mm	5.5



P/N : 73704-6**CA/6**CALF
(ABOVE P.C.B/LAYOUT SEE TA-1050)

P/N : 73704-622CA/622CALF
(ABOVE P.C.B/LAYOUT SEE TA-1050)

mat'l. code	surface ISO1302	tolerance ISO1101 ISO406	projection MM	product family PCMCIA
ltr ecn nodr date	tolerances unless otherwise specified		scale 1:1	CARDBUS EJ HEADER SMT, TYPE 1/2/3
J	angle 0°±2'	±0.30	MM	dwg no 73704 sheet 6 of 11 size A4
	dr WENDY CHEN 05/09/97	engr JOSEPH HSIA 05/09/97		type Product Customer Drawing
	chr JOSEPH HSIA 05/09/97	appd JENN TSAO 05/09/97		
sheet index	revision sheet			

PRODUCT NO.
SEE TABLE A

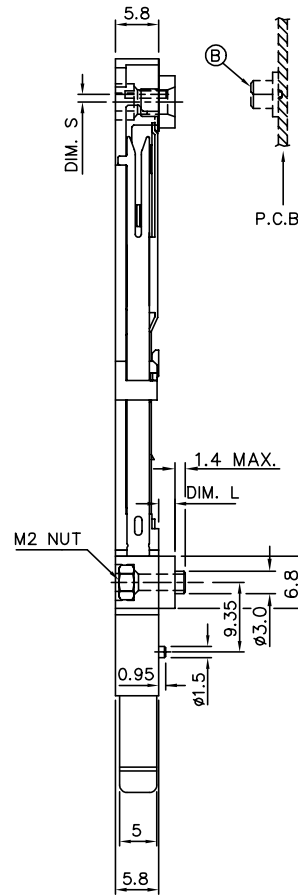
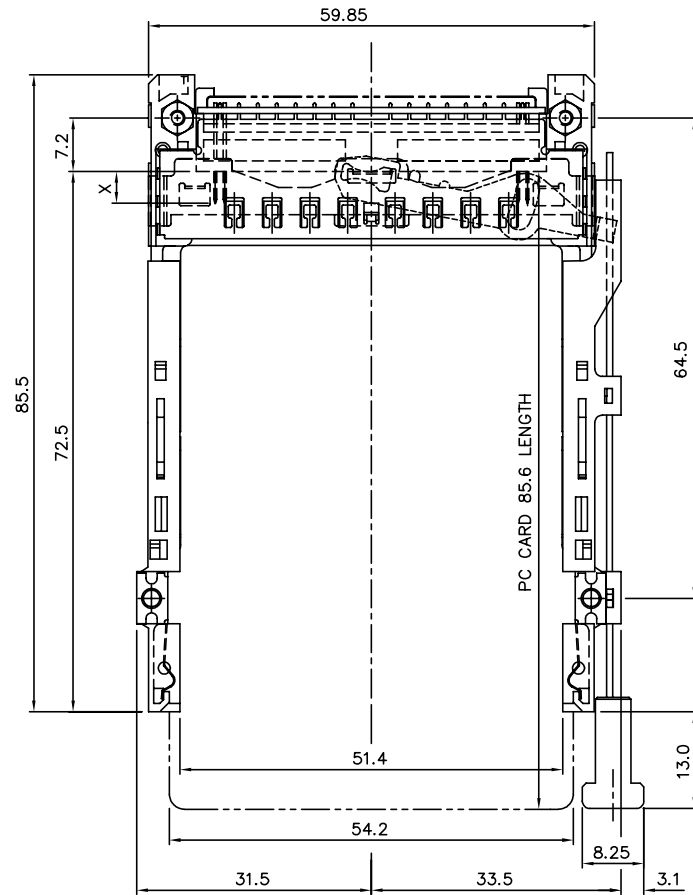
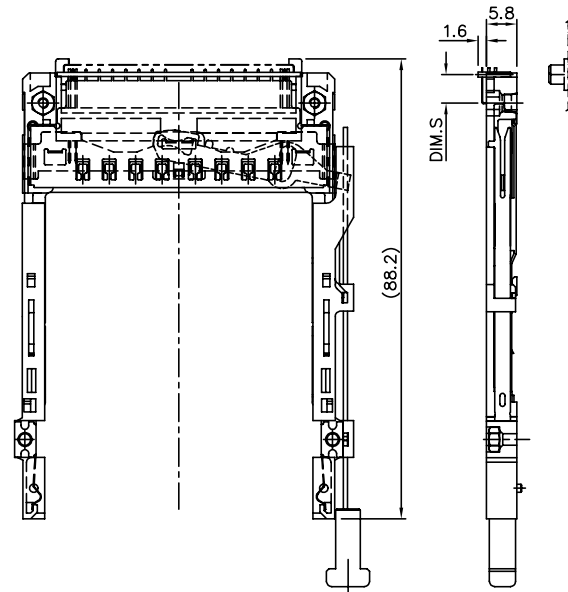
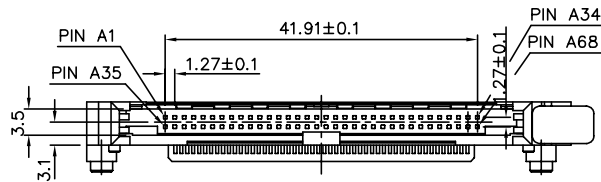


TABLE A

Ⓐ PRODUCT NO.	STAND-OFF(DIM. L)	DIM. S
73704-050CAS/050CASLF	5.0 mm	-0.3
-043CAS/043CASLF	4.3 mm	-0.3
-040CAS/040CASLF	4.0 mm	-0.3
-022CAS/020CASLF	2.2 mm	1.0
-020CAS/020CASLF	2.0 mm	1.0
-000CAS/000CASLF	NONE	5.5



P/N : 73704-000CAS/000CASLF
(ABOVE P.C.B/LAYOUT SEE TA-1050)



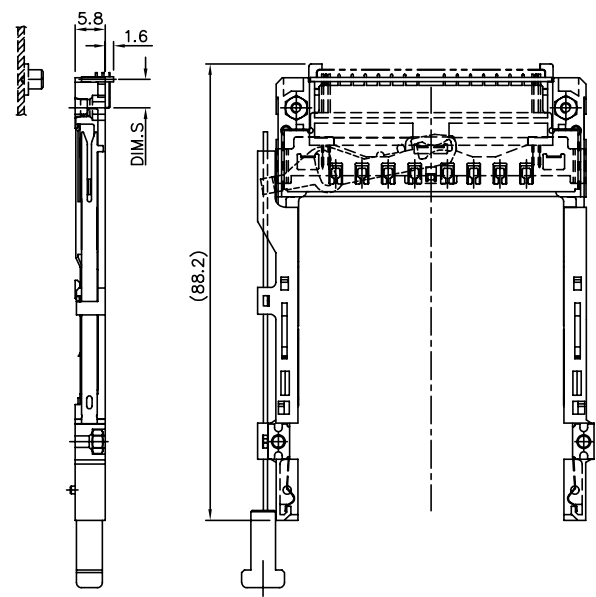
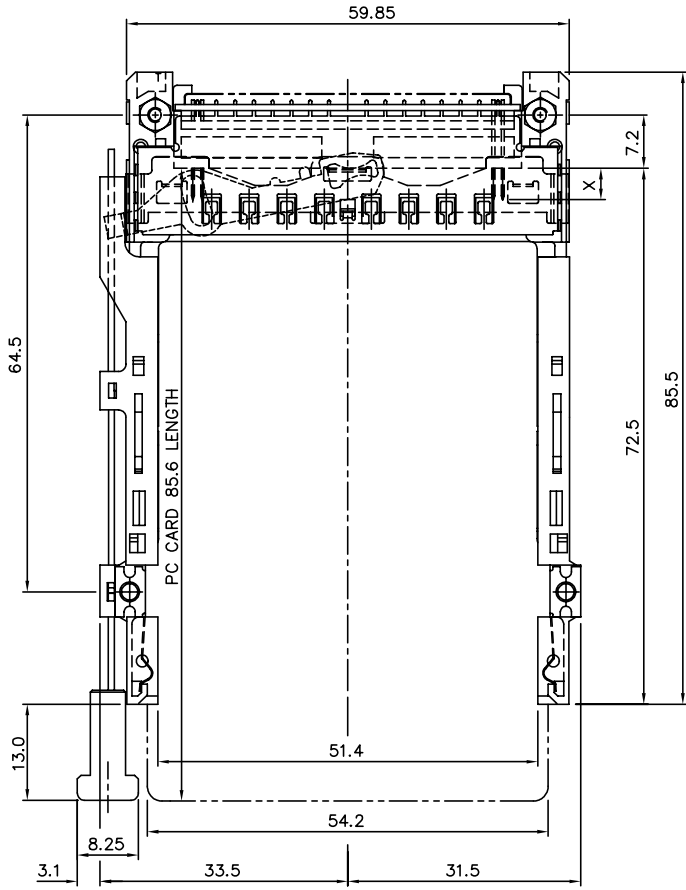
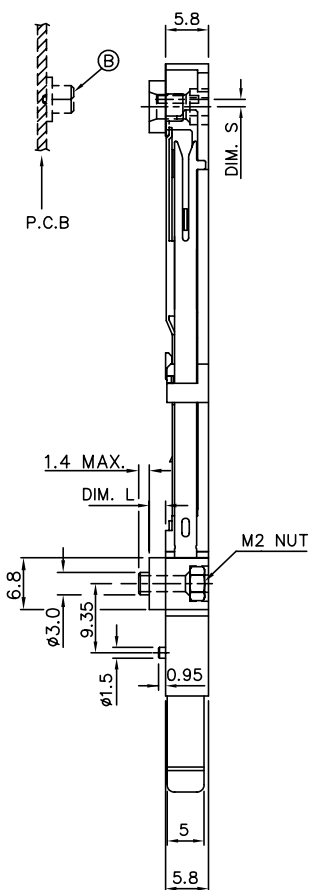
P/N : 73704-0**CAS/0**CASLF
(ABOVE P.C.B/LAYOUT SEE TA-1050)

mat'l. code	surface ISO1302 ✓	tolerance ISO1101 ISO406	projection ⊕	product family PCMCIA
ltr ecn nodr	date	tolerances unless otherwise specified	MM	CARDBUS EJ HEADER SMT, TYPE 1/2/3
J		angle 0°±2'	scale 1:1	dwg no 73704 sheet 7 of 11 size A4
	dr WENDY CHEN	05/09/97		type Product Customer Drawing
	engr JOSEPH HSIA	05/09/97		
	chr JOSEPH HSIA	05/09/97		
	appd JENN TSAO	05/09/97		
sheet index	revision sheet			

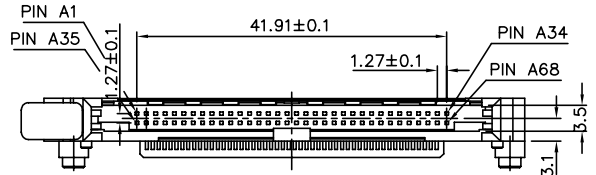
PRODUCT NO.
SEE TABLE A

TABLE A

① PRODUCT NO.	STAND-OFF(DIM. L)	DIM. S
73704-150CAS/150CASLF	5.0 mm	-0.3
-143CAS/143CASLF	4.3 mm	-0.3
-140CAS/140CASLF	4.0 mm	-0.3
-122CAS/122CASLF	2.2 mm	1.0
-120CAS/120CASLF	2.0 mm	1.0
-100CAS/100CASLF	NONE	5.5



P/N : 73704-100CAS/100CASLF
(ABOVE P.C.B/LAYOUT SEE TA-1050)



P/N : 73704-1**CAS/1**CASLF
(ABOVE P.C.B/LAYOUT SEE TA-1050)

mat'l. code	surface ISD1302 ✓	tolerance ISD1101 ISD406	projection MM	product family PCMCIA
ltr ecn ndr	date	tolerances unless otherw	scale 1:1	title CARDBUS EJ HEADER SMT, TYPE 1/2/3
J		angle 0°±2'	FCI	dwg no 73704
	dr WENDY CHEN 05/09/97	±0.30		sheet 8 of 11 size A4
	eng JOSEPH HSIA 05/09/97			type Product Customer Drawing
	chr JOSEPH HSIA 05/09/97			
	app JENN TSAO 05/09/97			
sheet index	revision sheet			

PRODUCT NO.
SEE TABLE A

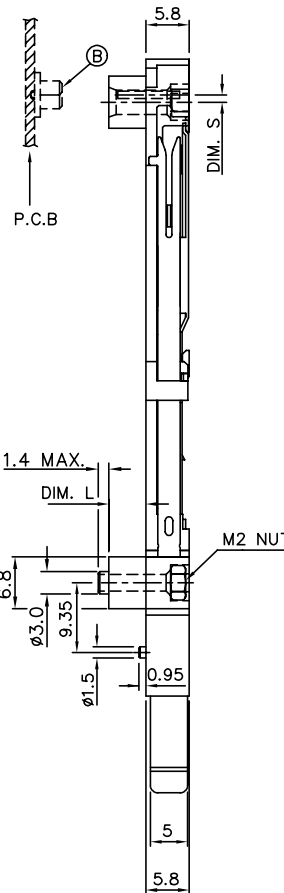
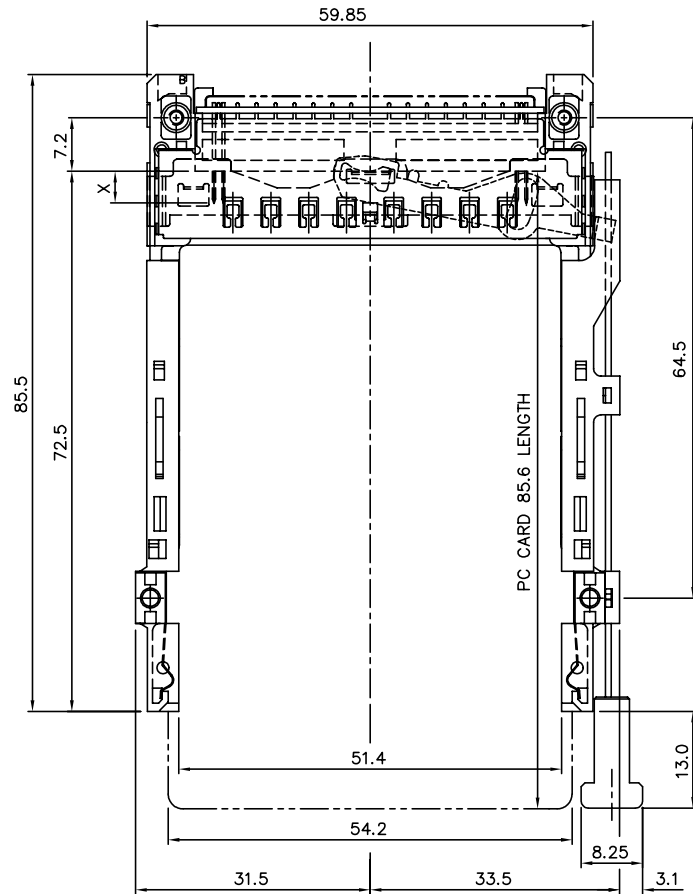
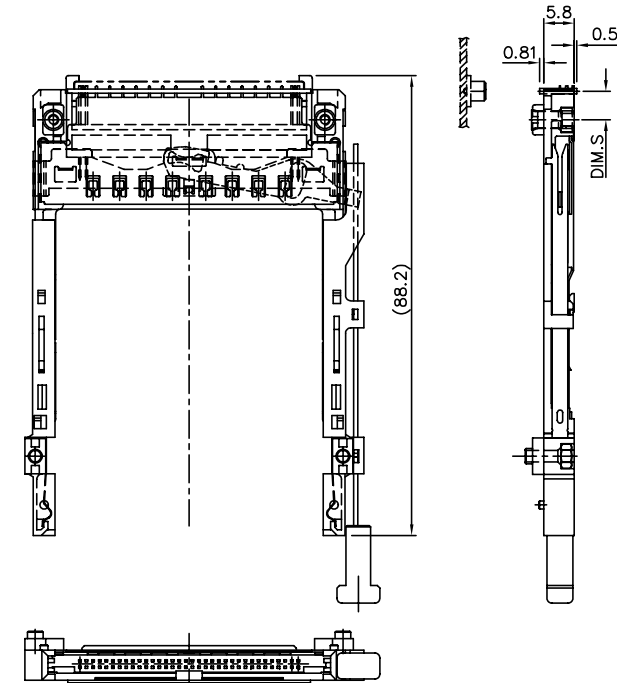
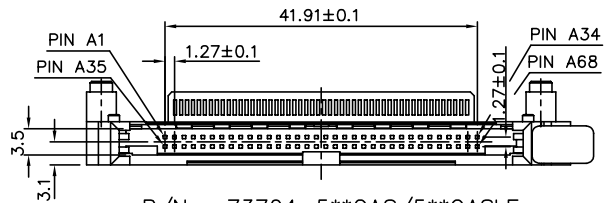


TABLE A

① PRODUCT NO.	STAND-OFF(DIM. L)	DIM. S
73704-550CAS/550CASLF	5.0 mm	-0.3
-543CAS/543CASLF	4.3 mm	-0.3
-540CAS/540CASLF	4.0 mm	-0.3
-522CAS/522CASLF	2.2 mm	5.5



P/N : 73704-522CAS/522CASLF
(ABOVE P.C.B/LAYOUT SEE TA-1050)



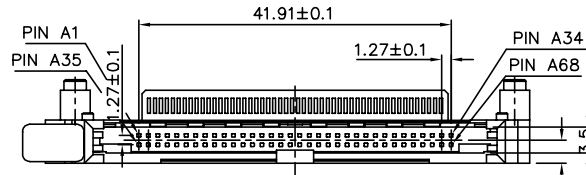
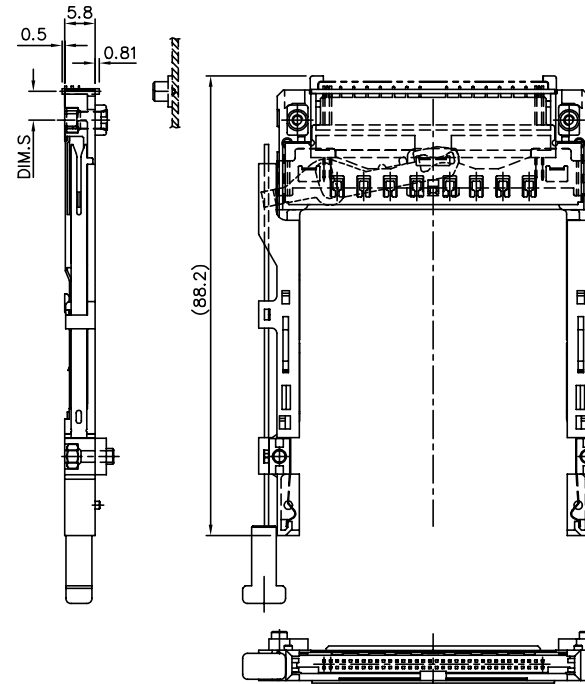
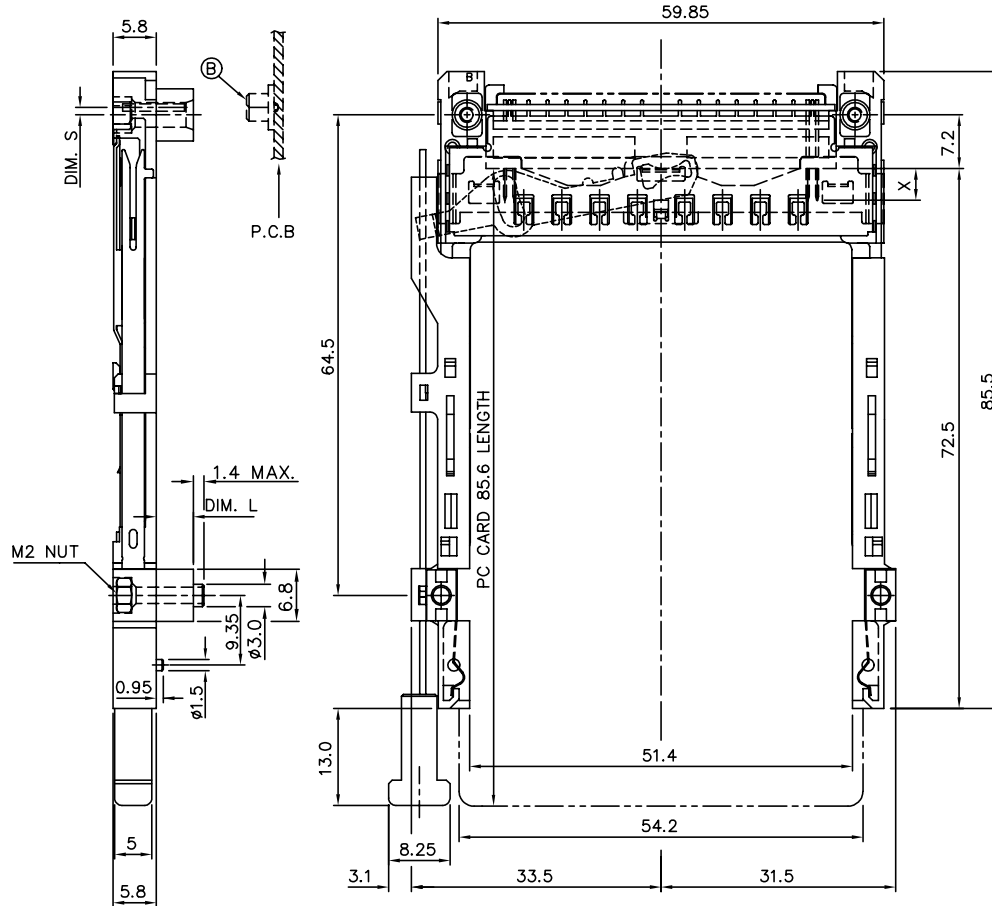
P/N : 73704-5**CAS/5**CASLF
(ABOVE P.C.B/LAYOUT SEE TA-1050)

mat'l. code	surface ISO1302	tolerance ISO1101 ISO406	projection MM	product family PCMCIA
ltr ecn nodr	tolerances unless otherwise specified		scale 1:1	title CARDBUS EJ HEADER SMT, TYPE 1/2/3
J	angle 0°±2'	±0.30	MM	dwg no 73704
	dr WENDY CHEN	05/09/97		sheet 9 of 11
	engr JOSEPH HSIA	05/09/97		size A4
	chr JOSEPH HSIA	05/09/97		type Product Customer Drawing
	appd JENN TSAO	05/09/97		
sheet index	revision sheet			

PRODUCT NO.
SEE TABLE A

TABLE A

① PRODUCT NO.	STAND-OFF(DIM. L)	DIM. S
73704-650CAS/650CASLF	5.0 mm	-0.3
-643CAS/643CASLF	4.3 mm	-0.3
-640CAS/640CASLF	4.0 mm	-0.3
-622CAS/622CASLF	2.2 mm	5.5



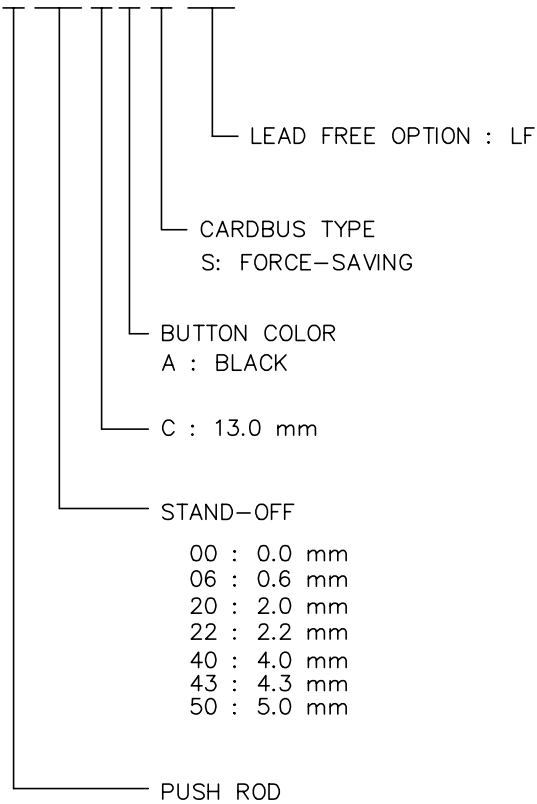
P/N : 73704-6**CAS/6**CASLF
(ABOVE P.C.B/LAYOUT SEE TA-1050)

P/N : 73704-622CAS/622CASLF
(ABOVE P.C.B/LAYOUT SEE TA-1050)

mat'l. code	surface ISO1302	tolerance ISO1101 ISO406	projection MM	product family PCMCIA
ltr ecn nodr date	tolerances unless otherwise specified		scale 1:1	title CARDBUS EJ HEADER SMT, TYPE 1/2/3
J	angle 0°±2'	±0.30	MM	dwg no 73704
	dr WENDY CHEN	05/09/97		sheet 10 of 11 size A4
	engr JOSEPH HSIA	05/09/97		type Product Customer Drawing
	chr JOSEPH HSIA	05/09/97		
	appd JENN TSAO	05/09/97		
sheet index	revision sheet			

PART NUMBER DESCRIPTION :

73704-□□□□□□□□



TOP MOUNT	BOTTOM MOUNT
0 : RIGHT	5 : RIGHT
1 : LEFT	6 : LEFT

NOTES:

- 1 8.0mm MIN CARD EJECT.
- 2 EJECT TRAVEL: 9.50mm
- 3 MATERIAL:
 - 3.1 EJECT HEADER ASS'Y
 - PLASTIC HOUSING: HIGH TEMPERATURE THERMOPLASTIC UL94V-0 BLACK
 - PIN: PHOSPHOR BRONZE
 - PCB: FR4
 - PLASTIC GUIDE: HIGH TEMPERATURE THERMOPLASTIC UL94V-0 BLACK
 - PLATE: STAINLESS
 - EMI CONTACT: PHOSPHOR BRONZE
 - 3.2 RECEPTACLE
 - PLASTIC: HIGH TEMPERATURE THERMOPLASTIC UL94V-0 BLACK
 - PIN: BeCu
- 4 FINISH
 - PIN :
 - UNDER PLATING: 0.5um MIN. Ni
 - CONTACT AREA: 0.076 μm MIN. GOLD
 - SOLDER TAIL(TIN LEAD OPTION): 2.5um MIN. Sn-Pb
 - SOLDER TAIL(LEAD FREE OPTION): 2.5um MIN. PURE TIN
 - GROUND SHIELD :
 - UNDER PLATING: 0.75um MIN. Ni
 - CONTACT SURFACE: 0.03um GOLD MIN. OVER PdNi 0.5um MIN.(GOLD FLASH DOUBLE SIDES) OR, 0.38um GOLD(ONE SIDE ONLY)
- 5 PUSH ROD LOCATION AND P.C.B. ARE AS APPEARS INSTALLED
- 6 DIM "X"

4.25±0.1	3.5±0.1	5.0±0.1
OTHERS	36,67	1,17,34,35,51,68
- 7 DO NOT TOUCH AND KEEP CLEAN THE SURFACES OF PCB OF HEADER ASS'Y.
- 8 P.C.B LAYOUT AND PIN ASSIGNMENT REFERED TO PART NUMBER TA-1050.
- 9 IF LEAD FREE P.N.THE HOUSING WILL WITHSTAND EXPOSURE TO 260°C PEAK TEMPERATURE FOR 10 SECONDS IN A WAVE SOLDER APPLICATION WITH A 1.00MM MINIMUM THICK CIRCUIT BOARD.
- 10 IF LEAD FREE P/N.THE PRODUCT MEETS EUROPEAN UNION DIRECTIVES AND OTHER COUNTRY REGULATIONS AS DISCRIBLED IN GS-22-008
- 11 LEAD FREE P/N PACKAGING MEETS GS-14-920 SPECIFICATION
- 12 PRODUCT SPEC:110-263

mat'l. code		surface <input checked="" type="checkbox"/> ISO1302		tolerance <input checked="" type="checkbox"/> ISO1101 <input checked="" type="checkbox"/> ISO406		projection		product family	
ltr ecn nodr date		tolerances unless otherwise specified		MM		PCMCIA		title	
J		angle		±0.30		scale 1:1		CARDBUS EJ HEADER	
		0°±2'						SMT, TYPE 1/2/3	
		dr WENDY CHEN		05/09/97		FCI		dwg no sheet 1 of 11 size	
		engr JOSEPH HSIA		05/09/97				73704 A4	
		chr JOSEPH HSIA		05/09/97				type Product Customer Drawing	
		appd JENN TSAO		05/09/97					
sheet index		revision sheet							

X-ON Electronics

Largest Supplier of Electrical and Electronic Components

Click to view similar products for [fct electronics manufacturer](#):

Other Similar products are found below :

[F2W2SC-1002](#) [FMK3-K201](#) [FT2W2SC-K121](#) [K761](#) [24P104C24P1-006](#) [SDB15P159S-060](#) [SHD15P15S-012](#) [SHD15P15S-036](#) [FU27W2S7-K121](#) [2761](#) [ICD040GVP163D-03](#) [ICD040GVP163D-25](#) [10056427-1050011LF](#) [155298-002](#) [155286-001](#) [172704-0016](#) [173112-0413](#)
[173109-0036](#) [111-0098-994](#) [173107-0568](#) [FM24W7P-K120](#) [FWDR15S](#) [RB09P09P-006](#) [FLW0915S7](#) [FT2W2PC-K120](#) [25P203C25P2-003](#)
[K1003](#) [10112041-2020HLF](#) [173112-0077](#) [173112-0074](#) [173114-0092](#) [10046971-019LF](#) [10093084-2010LF](#) [FWDR09S1](#) [SHD26P26S-012](#)
[FKT5](#) [FWDR15P](#) [74977-101001LF](#) [FM25W3PA-K120](#) [173112-0073](#) [151-2811-010](#) [91910-21169LF](#) [SHD15P15S-060](#) [FKC3GNME](#) [CT50-78P7](#) [HM2R89PA8100N9LF](#) [FM27W2SA-K121](#) [173113-0152](#) [73231-1321](#) [168-2829-034](#)