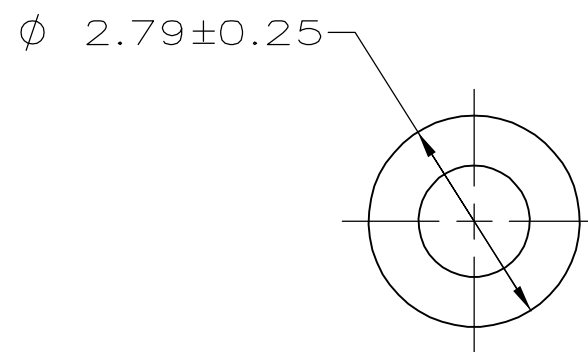
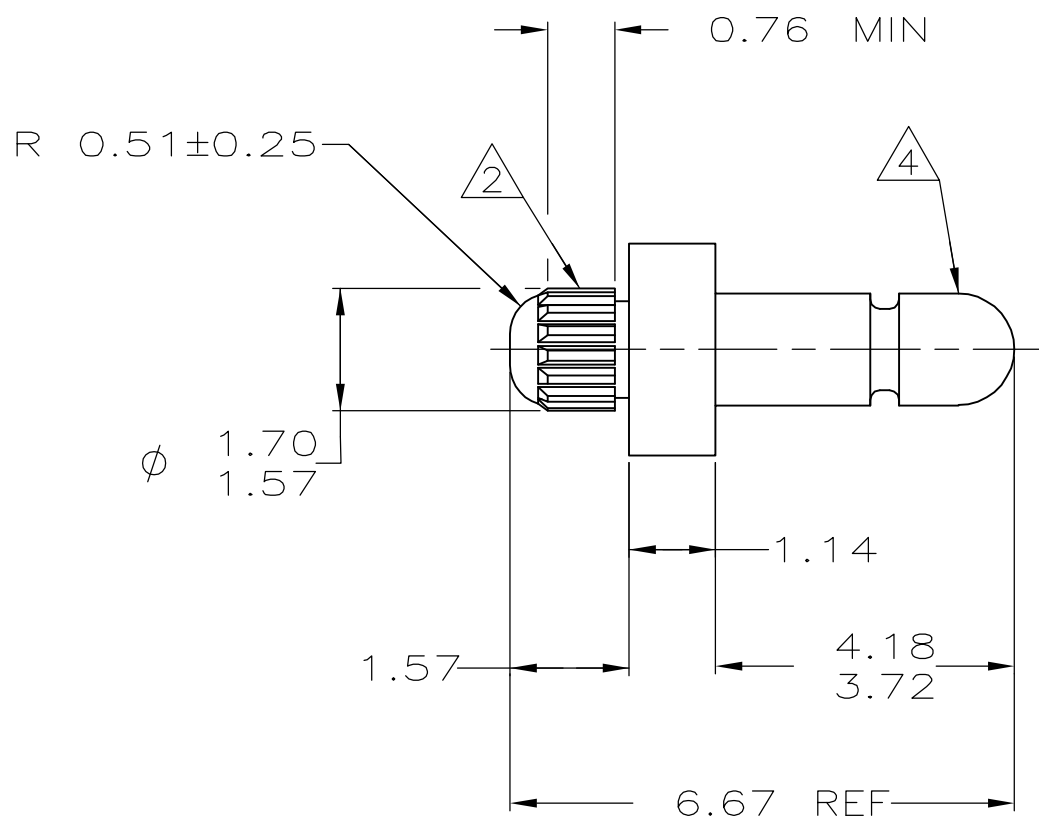


THIS DRAWING IS UNPUBLISHED. RELEASED FOR PUBLICATION
 © COPYRIGHT - BY TYCO ELECTRONICS CORPORATION. ALL RIGHTS RESERVED.

| LOC | DIST | REVISIONS | | | |
|-----|------|---------------------------|---------|-----|------|
| P | LTR | DESCRIPTION | DATE | DWN | APVD |
| | H | REVISED PER ECO-06-010625 | 18MAY06 | KW | JE |

- ① 0.00381 MIN BRIGHT TIN LEAD PLATING ALL OVER.
- ② REED STRAIGHT TOOTH KNURL CS 80-80 T.P.I., 125 TEETH, 70° INCLUDED ANGLE. FITS 1.50 - 1.57 DIAMETER HOLE IN A 0.79 PRINTED CIRCUIT BOARD.
- 3. PARTS TO COMPLY WITH AMP SOLDERABILITY SPECIFICATION 109-11-3.
- ④ MATES WITH AMP PARTS 60354, 60598 OR 60804.
- ⑤ 0.00381 MIN BRIGHT TIN PLATING ALL OVER.



| MM | IN |
|---------|----------|
| 6.67 | .263 |
| 4.18 | .165 |
| 3.72 | .146 |
| 2.79 | .110 |
| 1.70 | .067 |
| 1.57 | .062 |
| 1.50 | .059 |
| 1.47 | .058 |
| 1.14 | .045 |
| 0.79 | .031 |
| 0.76 | .030 |
| 0.51 | .020 |
| 0.25 | .010 |
| 0.13 | .005 |
| 0.00381 | 0.000150 |
| MM | IN |

CONVERSION TABLE

METRIC

| | |
|--------|-------------|
| ⑤ | 3-60839-1 |
| ① | 60839-1 |
| FINISH | PART NUMBER |

| | | | | |
|--|--|-------------------------------|---|-----------------------|
| THIS DRAWING IS A CONTROLLED DOCUMENT. | | DWN T. BECK 8-15-97 | Tyco Electronics Corporation Harrisburg, PA 17105-3608 | |
| DIMENSIONS: mm | | CHK R. SWING 8-15-97 | | |
| TOLERANCES UNLESS OTHERWISE SPECIFIED: | | APVD A. BEDDICK 9-10-97 | NAME PIN, .058 DIAMETER, BRASS, KNURLED, P.C. CONTACT | |
| 0 PLC ± - 1 PLC ± - 2 PLC ± 0.13 3 PLC ± - 4 PLC ± - ANGLES ± - | | PRODUCT SPEC 108-1025 | SIZE A3 | |
| MATERIAL BRASS | | APPLICATION SPEC 114-1008 | CAGE CODE 00779 | DRAWING NO C-60839 |
| FINISH SEE TABLE | | WEIGHT - | RESTRICTED TO - | |
| CUSTOMER DRAWING | | | SCALE 10:1 | SHEET 1 OF 1 |
| | | | REV H | |

X-ON Electronics

Largest Supplier of Electrical and Electronic Components

Click to view similar products for [Terminals](#) category:

Click to view products by [TE Connectivity](#) manufacturer:

Other Similar products are found below :

[HT-13-10](#) [71M-250-32-NB](#) [01-2065-1-0216](#) [00581P0075](#) [M10-10RX](#) [M10BCK](#) [60205-1](#) [604200-1](#) [60598-1-CUT-TAPE](#) [60617-1-C](#) [60873-1](#) [M14-516R/SK](#) [M14-6RSX](#) [M18-10FLX](#) [M18-8FBX](#) [M18-8R/LX](#) [M18BCK](#) [61314-6-C](#) [61-S](#) [61-SN-A](#) [62-NBM-A](#) [63-S](#) [640179-1](#) [640917-2-CUT-TAPE](#) [6501550002](#) [66107-2-C](#) [66107-4-C](#) [696683-1](#) [696834-1](#) [696861-1](#) [696931-1](#) [696999-1](#) [M8-516RK](#) [M86700006](#) [MA250DMFMX-A](#) [701-2007](#) [701-2307](#) [701-7761-03](#) [70F-110-32-PB](#) [718-N-A](#) [71M-187-20-NBL](#) [71M-250-32-NBL](#) [72F-187-20-NBL](#) [72M-250-32-NBL](#) [7310](#) [73F-250-32](#) [73F-250-32-NBL](#) [73F-250-32-NL](#) [F14-10C](#) [F-1M](#)